

AUX
AIR CONDITIONER

CATALOG
AIR CONDITIONING
2024

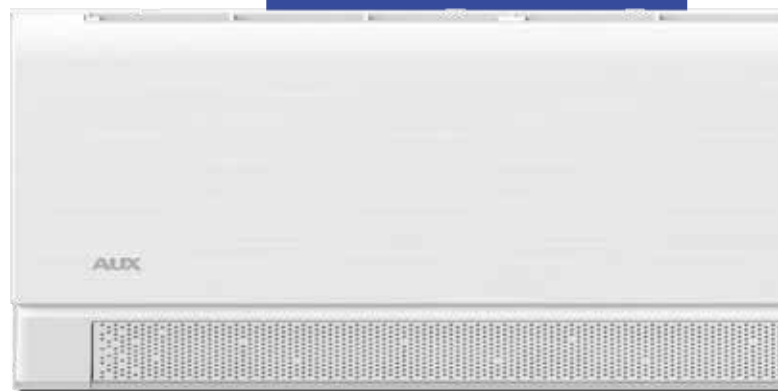




Table of Contents

AUX - A New Dimension of Quality	4		
WIENKRA - A Trusted Business Partner	12		
Range of Units	14		
Air Conditioner Functions	17		
Room Air Conditioners RAC	23		
Function Summary	24		
Function Descriptions	30		
C-Smart	46		
C-Pro	50		
Q-Smart Plus	54		
Q-Smart Premium	58		
Q-Smart Premium Grey	62		
J-Smart	66		
J-Smart Art	70		
Halo	74		
Halo Deluxe	78		
Freedom Plus Series 3	82		
		Multi Systems	87
		Function Summary	88
		Function Descriptions	95
		Outdoor Units	104
		Indoor Units	108
		Freedom	108
		J-Smart	110
		J-Smart Art	112
		Q-Smart Premium	114
		Q-Smart Premium Grey	116
		Floor-Ceiling Units	118
		Cassette Units	120
		Duct Units	122
		Console-Type Units	124
		Commercial Systems	129
		Function Descriptions	130
		Floor-Ceiling Units	134
		Cassette Units	138
		Duct Units	142
		Console-Type Air Conditioner	146
		Control and Accessories	149
		Dimensional Drawings	154

AUX

A New Dimension of Quality



The AUX Group, operating in the market since 1986, is one of the leading manufacturers of smart household appliances, primarily air conditioners. The group has 12 modern production bases, with the largest located in Ningbo, Nanchang, and Tianjin in China, as well as 6 research and development centers. AUX brand devices are available in over 100 countries worldwide.

Thanks to continuous investments in research and development, the AUX brand is able to offer competitive, technologically advanced, and aesthetically appealing products that meet the highest quality standards and European energy efficiency requirements.

38
YEARS
OF EXPERIENCE

30
EMPLOYEES

100
COUNTRIES
AND REGIONS

12
PRODUCTION
BASES

86
BILLION
IN REVENUE

6
RESEARCH AND
DEVELOPMENT
CENTERS

Caring for a Better Tomorrow

As one of the leading manufacturers of advanced air conditioning systems and heat pumps, the AUX Group takes sustainable development very seriously. A key pillar of sustainability is care for the natural environment. AUX's policy is based on the idea of responsible use of natural resources so that both present and future generations can

enjoy prosperity. Teams of qualified engineers working in AUX's research centers around the world are seeking energy-efficient, smart, and eco-friendly technological solutions that, when used in production processes, align with the concept of sustainable development and provide better, cleaner air.

Company Profile

In 2023, the group achieved sales of 86 billion RMB, and its total assets amounted to 70.2 billion RMB. The company employs over 30,000 people and operates 12 production bases in Ningbo (3), Nanchang, Tianjin, Ma'anshan, Zhengzhou, Wuhu, Brazil, Indonesia, Thailand, and Poland, as well as 6 research and development centers. During its growth, AUX has also focused on fulfilling

its social responsibilities. In recent years, the company has donated a total of 309 million RMB to various public programs, including initiatives aimed at poverty reduction, education, disaster relief, and environmental protection.

AUX owns two globally recognized brands: AUX and Sanxing, with a combined value exceeding 51 billion RMB.



www.auxcool.com



[aux polska](#)



[aux poland](#)

A Global Leader in the HVACR Industry



Room Air Conditioners

AUX room air conditioners include 8 exceptional wall-mounted unit models. All units feature refined styling and the most extensive range of functions in their class.



Commercial Air Conditioners

AUX air conditioning systems are ideal for commercial spaces. Wall-mounted, cassette, duct, and floor-ceiling units allow for the creation of a complete and discreet air conditioning system in any room.



MULTI Air Conditioners

The AUX brand offers multi-split air conditioning solutions, which are becoming increasingly popular in Poland. Multi-split systems are ideal for use in homes, apartments, shops, small hotels, and service establishments.



ARV Systems

ARV7 is the latest-generation system from AUX. These highly advanced technological devices are ideal solutions for commercial, office, and hotel properties, as well as residential buildings (ARV Mini).



Heat Pumps

Air-to-water heat pumps are a new addition that directly addresses the changing needs of the market. The AUX Group has designed smart and reliable devices that provide an energy-efficient, complete heating system for the home.

Awards and Honors

AUX continually introduces new patents and refines air conditioning devices, focusing on environmental care and ecology. The new technologies, developed in response to the ever-increasing demands of users, have been recognized internationally with numerous awards and

accolades in the air conditioning industry. Each year, AUX wins over 20 international design awards, including the iF Design Award, Red Dot Award, IDEA Award, and Good Design Award!



Nagroda iF Design



EUROVENT Certyfikat



Państwowy Zakład Higieny



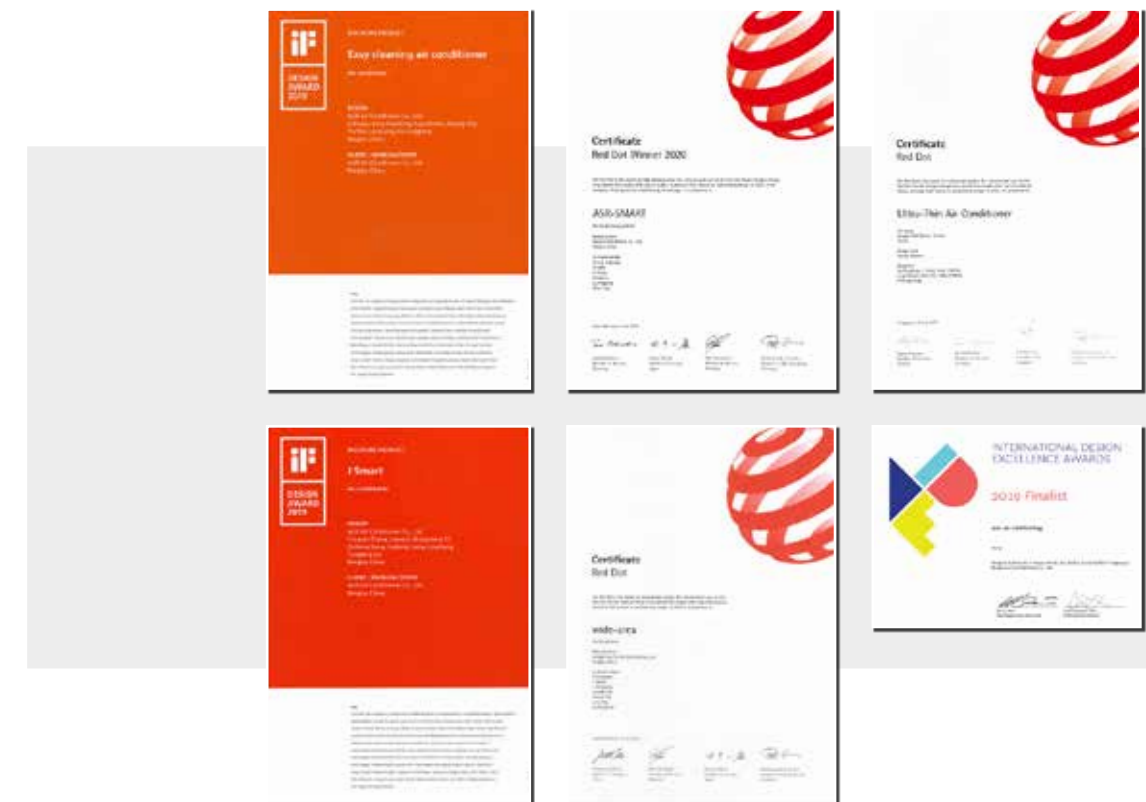
Red Dot



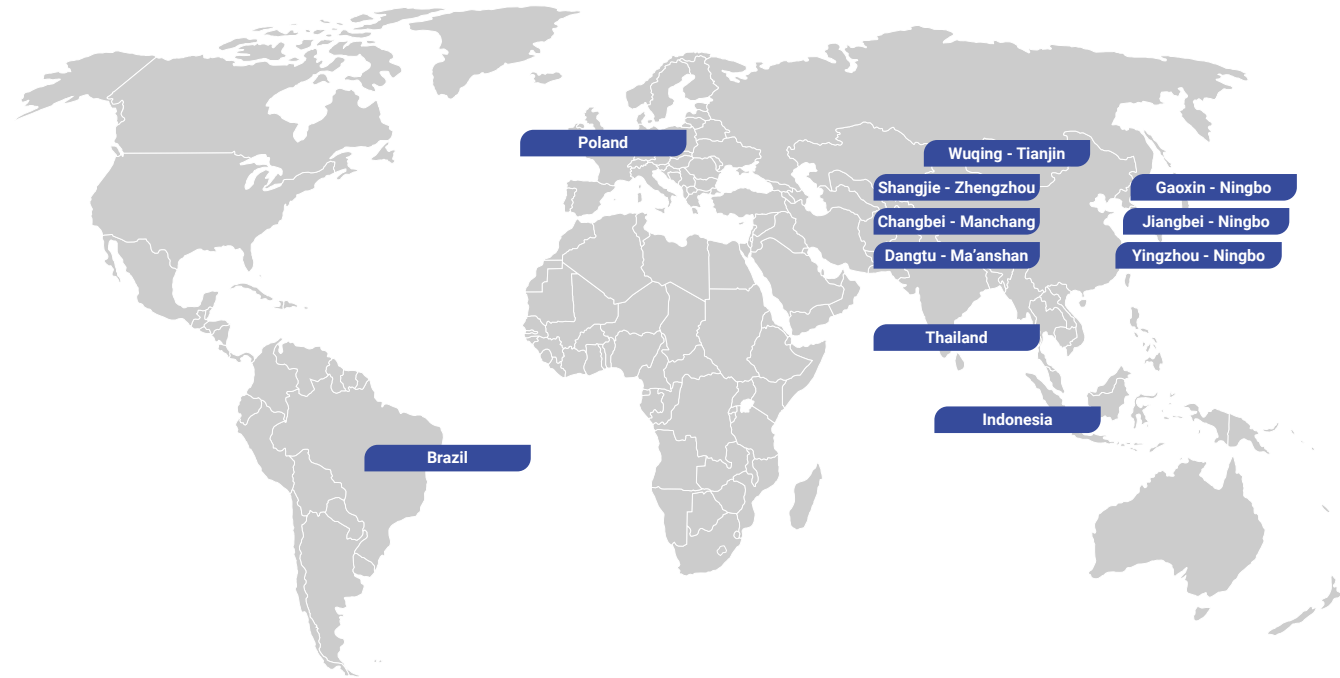
Idea



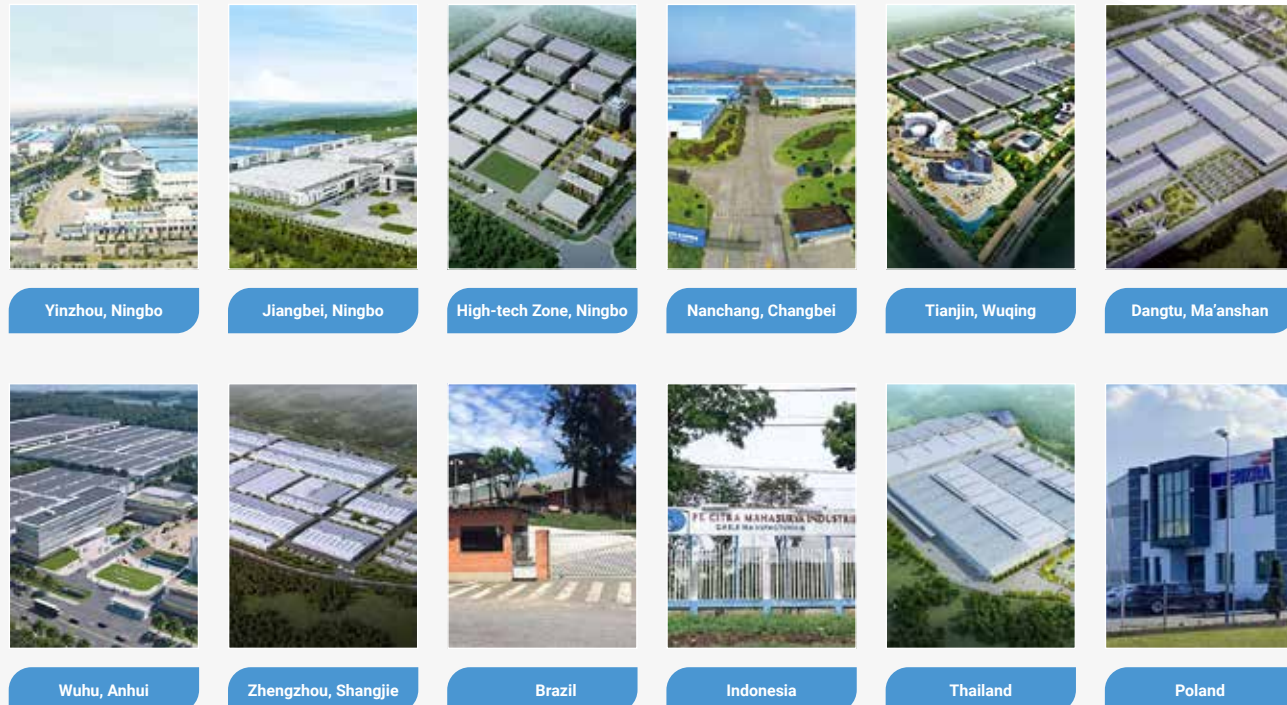
CMF



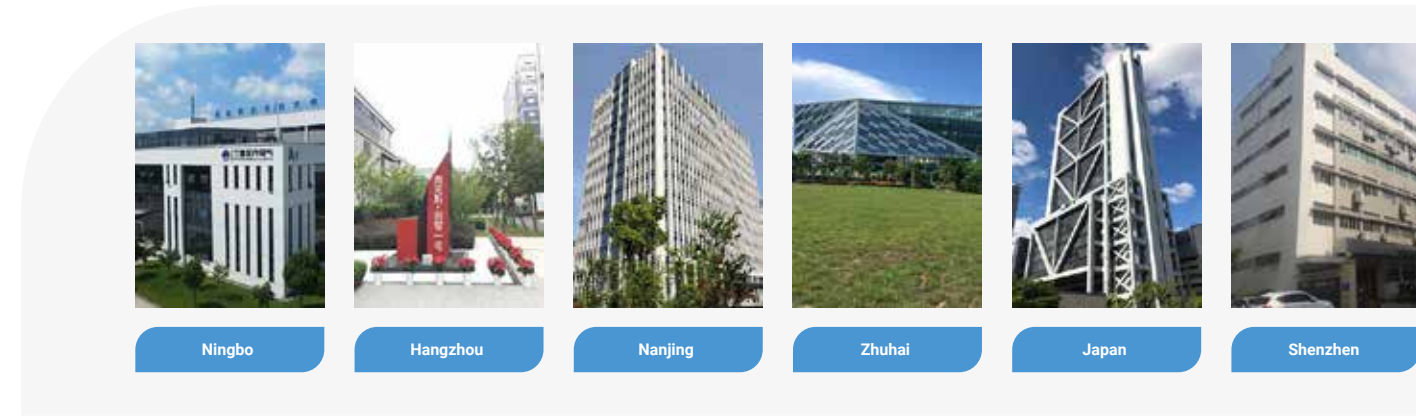
AUX Factories and Research Centers Worldwide



12 AUX Production Bases Worldwide



6 AUX Research and Development Centers Worldwide



History of AUX

1986 - 2009 BEGINNING AND DEVELOPMENT
2009 - 2024 TRANSFORMATION AND DEVELOPMENT PLANS

1986

Zheng Jianjiang establishes the company in Longguan

1989

Establishment of the Sanxing Brand

1994

Entry into the air conditioning market and establishment of the AUX brand

2000

Entry into the real estate market in ten cities

2006

Opening of Mingzhou Hospital in Ningbo (later renamed Mingzhou University Hospital)

2009

Establishment of Huijin Micro-Credit Company. Shares in two banks

2011

Sanxing Electric goes public on the Shanghai Stock Exchange (later renamed Sanxing Medical)

2012

First research and development centers in Hangzhou and Ningbo

2013

Establishment of a financial center in Shanghai

2014

Establishment of a medical company

2015

Commencement of production at factories in Brazil and Indonesia

2016

Promotion to 3rd place in terms of air conditioner production scale

2017

Expansion into the home appliances and healthcare markets

2018

Production of smart devices in Thailand and Zhengzhou

2019

Direct online sales of air conditioners

2021

Investment in the energy industry in Poland

2022

Award for the partner and supplier of air conditioners for the 19th Asian Games

2023

Expansion into the home appliances market in Malaysia, Thailand, and the United States

WIENKRA

Your Trusted Business Partner

We have supplied our customers with over a million air conditioners, as we have continuously collaborated with global leaders in air conditioning technology for 30 years. This is why we are confident that we offer products and solutions of the highest quality, incorporating the latest technologies to meet high standards in energy efficiency, design, and environmental responsibility.

We are committed to improving living conditions and comfort, which is why our range includes a full spectrum of air conditioning devices and systems tailored for individual customers, small businesses, and large institutional clients.



Warranty and Post-Warranty Service



Design and Technical Consulting



Commissioning and Startup of Equipment



Equipment Deliveries

WIENKRA Branches and warehouses in Poland



KRAKÓW - ul. Kotlarska 34



KRAKÓW - ul. Rzemieślnicza 20



WARSZAWA - ul. Sokołowska 15



WROCLAW - al. Armii Krajowej 61



KOKOTÓW - Main Warehousez



KRAKÓW - ul. Rzemieślnicza 20G



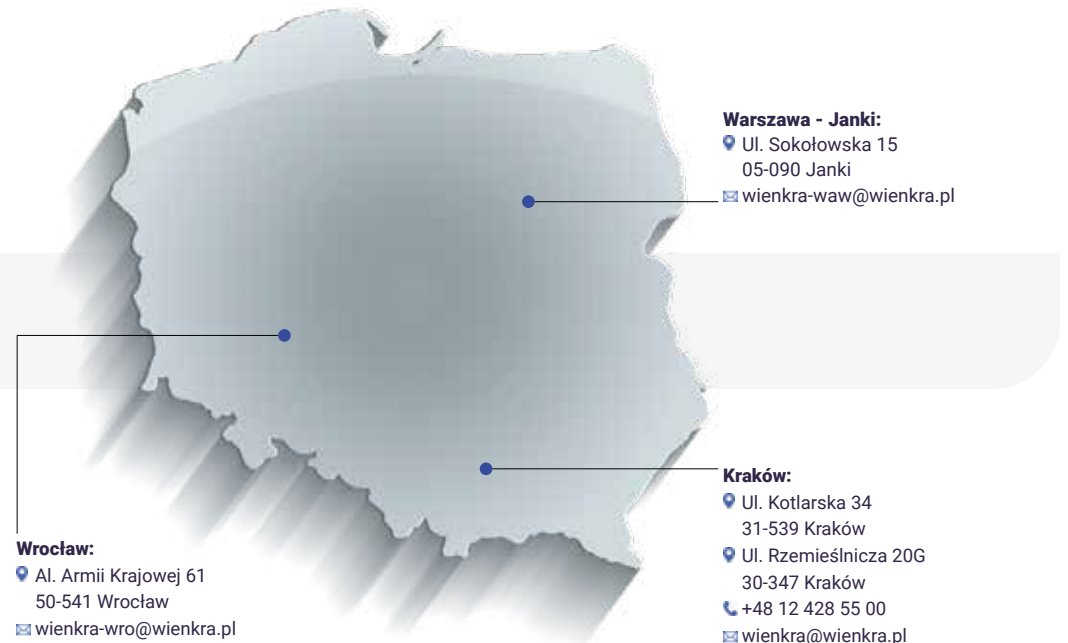
WARSZAWA - ul. Sokołowska 15



WROCLAW - al. Armii Krajowej 61



WIENKRA - Exclusive Distributor of the AUX Brand in Poland!



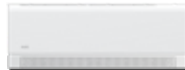

Warszawa - Janki:
 Ul. Sokołowska 15
 05-090 Janki
 wienkra-waw@wienkra.pl

Kraków:
 Ul. Kotlarska 34
 31-539 Kraków
 Ul. Rzemieślnicza 20G
 30-347 Kraków
 +48 12 428 55 00
 wienkra@wienkra.pl




Wrocław:
 Al. Armii Krajowej 61
 50-541 Wrocław
 wienkra-wro@wienkra.pl

Room Air Conditioners RAC



C-Smart Series

Model	Cooling Capacity [kBtu/h]				Catalog Page
	9	12	18	24	
C-Smart Series CA / CAA	 AUX-09CA AUX-09CAA	AUX-12CA AUX-12CAA	AUX-18CA	AUX-24CA	46
C-Pro Series CPRO	 AUX-09CPRO	AUX-12CPRO	-	-	50



Q-Smart Series

Model	Cooling Capacity [kBtu/h]				Catalog Page
	9	12	18	24	
Q-Smart Plus Series QC	 AUX-09QC	AUX-12QC	AUX-18QC	AUX-24QC	54
Q-Smart Premium Series QP	 AUX-09QP	AUX-12QP	AUX-18QP	AUX-24QP	58
Q-Smart Premium Grey Series QB	 AUX-09QB	AUX-12QB	AUX-18QB	AUX-24QB	62


J-Smart Series

Model	Cooling Capacity [kBtu/h]				Catalog Page
	9	12	18	24	
J-Smart Series J20	 AUX-09J20	AUX-12J20	AUX-18J20	AUX-24J20	66
J-Smart Art Series JP	 AUX-09JP	AUX-12JP	AUX-18JP	AUX-24JP	70

Halo Series

Model	Cooling Capacity [kBtu/h]				Catalog Page
	9	12	18	24	
Halo Series HA	 AUX-09HA	AUX-12HA	AUX-18HA	AUX-24HA	74
Halo Deluxe Series HE	 AUX-09HE	AUX-12HE	AUX-18HE	AUX-24HE	78

Freedom Plus Series 3

Model	Cooling Capacity [kBtu/h]				Catalog Page
	9	12	18	24	
Freedom Plus Series 3 Series F3H	 AUX-09F3H	AUX-12F3H	AUX-18F3H	AUX-24F3H	82





We reserve the right to errors in descriptions, appearance, functions, technical parameters, and dimensional drawings that may result from the continuous improvement of our devices.

MULTI Air Conditioners






Wall-Mounted Indoor Units

Model	Cooling Capacity [kBtu/h]					Catalog Page
	7	9	12	18	24	
Freedom Series FH	 AUX-07FH/I	AUX-09FH/I	AUX-12FH/I	AUX-18FH/I	AUX-24FH/I	108
J-Smart Series JO	 AUX-07JO/I	AUX-09JO/I	AUX-12JO/I	AUX-18JO/I	AUX-24JO/I	110
J-Smart Art Series JB	 AUX-07JB/I	AUX-09JB/I	AUX-12JB/I	AUX-18JB/I	AUX-24JB/I	112
Q-Smart Premium Series QP	 AUX-07QP/I	AUX-09QP/I	AUX-12QP/I	AUX-18QP/I	AUX-24QP/I	114
Q-Smart Premium Grey Series QB	 AUX-07QB/I	AUX-09QB/I	AUX-12QB/I	AUX-18QB/I	AUX-24QB/I	116

Indoor Units

Model	Cooling Capacity [kBtu/h]						Catalog Page
	7	9	12	16	18	24	
Floor-Ceiling Units Series F	 -	AUX-M-F09/I	AUX-M-F12/I	-	AUX-M-F18/I	-	118
Cassette Units Series C	 -	AUX-M-C09/I	AUX-M-C12/I	-	AUX-M-C18/I	AUX-M-C24/I	120
Duct Units Series D	 AUX-M-D07/I	AUX-M-D09/I	AUX-M-D12/I	-	AUX-M-D18/I	AUX-M-D24/I	122
Console-Type Series M	 -	AUX-K09/I	AUX-K12/I	AUX-K16/I	-	-	124




Outdoor Units

Model	Cooling Capacity [kBtu/h]							Catalog Page
	14	18	21	27	28	36	42	
Outdoor Units 2 Ports	 AUX-M2-14LCLH	AUX-M2-18LCLH	-	-	-	-	-	104
Outdoor Units 3 Ports	 -	-	AUX-M3-21LCLH	AUX-M3-27LCLH	-	-	-	104 / 105
Outdoor Units 4 Ports	 -	-	-	-	AUX-M4-28LCLH	-	-	105
Outdoor Units 4 Ports	 -	-	-	-	-	AUX-M4-36LCLH	-	105
Outdoor Units 5 Ports	 -	-	-	-	-	-	AUX-M5-42LCLH	105


We reserve the right to errors in descriptions, appearance, functions, technical parameters, and dimensional drawings due to the ongoing improvement of our devices.

Commercial Air Conditioners CAC

Indoor Units

Model	Cooling Capacity [kBtu/h]								Catalog Page	
	12	18	24	30	36	42	48	60		
Floor-Ceiling Units Series CAF		-	AUX-C-18CAF	AUX-C-24CAF	-	AUX-C-36CAF	AUX-C-42CAF	AUX-C-48CAF	AUX-C-60CAF	134
Cassette Units Series CAC		AUX-C-12CAC	AUX-C-18CAC	AUX-C-24CAC	-	AUX-C-36CAC	AUX-C-42CAC	AUX-C-48CAC	AUX-C-60CAC	138
Ducted Units Series CAD		-	AUX-C-18CAD	AUX-C-24CAD	AUX-C-30CAD	AUX-C-36CAD	AUX-C-42CAD	AUX-C-48CAD	AUX-C-60CAD	142

Console Type Air Conditioner

Model	Cooling Capacity [kBtu/h]								Catalog Page	
	9	12	16	18	24	30	36	42		
Console Air Conditioner- Series K		-	-	AUX-K16	-	-	-	-	-	146



We reserve the right to errors in descriptions, appearance, functions, technical parameters, and dimensional drawings due to the continuous improvement of our devices.

Air Conditioner Functions

HEALTH



UV Sterilization

It inhibits the development of viruses by 99% through effective disinfection. The C-Smart, Q-Smart, J-Smart, and Halo series models are equipped with UV lamps, which ensure clean and healthy air. UV sterilization effectively purifies the air by eliminating viruses, fungi, and microorganisms. This function is especially recommended for allergy sufferers and individuals prone to infections.



Antibacterial Filter

The antibacterial filter has a sterilizing effect on all types of bacteria. Dust and microorganisms suspended in it are trapped on the antibacterial surface of the filter. The bactericidal substances present inhibit their growth.



PM2.5 Filter

The PM2.5 filter captures fine airborne particles (particulate matter PM10, PM2.5), which are a major component of smog and among the most harmful atmospheric pollutants to human health. The filter removes 99.9% of these pollutants, ensuring clean and healthy air in the air-conditioned space.



Mold Protection Function

After the work is completed and the air conditioner is turned off, it automatically starts drying the moisture accumulated on the indoor unit's evaporator, preventing mold growth inside the device.



Durable Air Filter

The indoor unit air filter can be easily removed and cleaned. It is resistant to multiple cleanings, which significantly extends its lifespan.



57°C Sterilization

The exchanger maintains a high temperature of 57°C and sustains it for a period to ensure optimal sterilization results.



Cold Plasma Ionizer

The indoor unit of the air conditioner comes standard with a Cold Plasma ionizer, which effectively eliminates unpleasant odors and harmful substances from the room air. The ionizer releases ions into the air flowing through the air conditioner, neutralizing the harmful particles present in it.



Self-Cleaning Function

Thanks to the comprehensive self-cleaning function, the interior of the air conditioner is kept clean by eliminating moisture and inhibiting the growth of bacteria, mold, and unpleasant odors on the heat exchanger. This ensures a clean and safe environment for the user.



High-Density Filter

The air conditioner is equipped with a high-density filter that is significantly more effective at trapping airborne contaminants, including dust and particulate matter.



Optional Air Filters

It is possible to equip the air conditioner with an additional filter system that thoroughly cleans and improves air quality in the room: silver ion filter, activated carbon filter, enzymatic filter, PM2.5 filter, antibacterial filter, and vitamin C filter.



Washable Air Filter

The air filter of the indoor unit can be easily removed and cleaned under running water, which helps maintain the high performance of the device and the quality of the airflow.



Filter Dirty Indicator

The indoor unit display shows an alert for filter cleaning, helping to maintain fresh and healthy air in the room.



Honeycomb Filter

The honeycomb air filter effectively captures airborne contaminants such as dust and particulate matter.



Built-In Humidity Sensor

AUX C-Pro air conditioners are equipped with a precise hygrometer for intelligent humidity detection in the room. When the humidity is too high, the compressor frequency decreases to prevent condensation. When the humidity is normal, the compressor frequency automatically increases to maintain temperature balance in the room.

ECOLOGY



Refrigerant R32

The device operates using the latest environmentally friendly refrigerant R32, which offers higher efficiency and a lower global warming potential compared to R410A. It also does not contribute to ozone layer depletion.



Economy Mode

When the energy-saving function is activated, the air conditioner operates with reduced electrical consumption, helping to minimize power costs.

CONVENIENCE



Self-Diagnosis Function

The device monitors for malfunctions and will shut down in the event of a fault. An error code is displayed on the indoor unit or the wired controller, indicating the type of fault, which significantly facilitates service and maintenance tasks.



LED Display

The modern LED display, located on the front panel of the indoor unit, clearly shows the current status and operational functions of the device. When the air conditioner is turned off, the display is not visible.



Built-in WiFi Module

The built-in WiFi module allows you to control the air conditioner from your smartphone, tablet, or computer connected to the internet, from anywhere in the world.



Central Controller

The central wired controller allows for the management of the entire air conditioning system, enabling control over multiple indoor units simultaneously.



Heating at -25°C

The heating function at -25°C allows the use of C-Smart and C-Pro series air conditioners during winter at low temperatures.

- -22°C for Q-Smart Premium, Q-Smart Premium Grey, J-Smart, J-Smart Art, Q-Smart Plus (AUX-09/12/18QC)
- -20°C for Q-Smart Plus (AUX-24QC), Halo, Halo Deluxe



Standby Mode 0.3W

In Standby Mode, the air conditioner reduces electrical consumption to as low as 0.3W per hour by using a specially designed PCB and disconnecting power from unused components.



24-Hour Timer

The timer function allows users to set the exact time for the air conditioner to automatically turn on and off.



Dual Drainage

The refrigerant piping and condensation drainage can be connected from either the left or right side of the indoor unit, which greatly facilitates adapting the installation location to the room layout.



Wireless Controller

The wireless remote control allows for remote operation of the air conditioner, including turning the unit on and off and selecting settings and functions such as operating mode, airflow temperature, fan speed, and airflow direction.



Wired controller

The wired controller is installed on the wall in the room where the air conditioner is located.

COMFORT



4D Airflow

The air vanes of the indoor unit move automatically in both vertical and horizontal planes, allowing the conditioned air to be distributed in all directions (simultaneous vertical and horizontal swing).



Horizontal air vane movement

Horizontal air vane movement allows the air to reach every corner of the room, even large spaces, by moving to the left and right. The vanes can be set to several fixed positions or selected to continuously swing left and right.



TURBO function

TURBO function allows for cooling or heating the room in a very short time by maximizing the indoor unit's fan speed (using the highest fan setting).



Fast cooling / heating

Thanks to inverter technology, the air conditioning system can quickly reach full efficiency shortly after starting and ensure rapid attainment of the desired room temperature.



Fan Mode

In this mode, air circulates in the room without changing its temperature – the air is blown without cooling or heating.



Sleep Mode

After activating the sleep function, the air conditioner increases the set temperature by 1°C per hour during the first two hours of cooling (in heating mode, it decreases the temperature at the same rate). For the next five hours, it maintains the achieved temperature at a constant level, after which the air conditioner turns off. This ensures maximum comfort for the user during nighttime rest and reduces the device's energy consumption.



Easy and Quick Installation

The air conditioner's design includes features that make the installation process as quick and straightforward as possible.



Cooling Mode

In cooling mode, the air conditioner lowers and maintains the room temperature at the level set by the user.



Vertical Air Vane Movement

Vertical air vane movement – up and down – ensures that the blown air is evenly distributed throughout the entire height of the room. The vanes can be set in several fixed positions or selected for "vertical swing," meaning continuous up-and-down movement.



Anti-Cold-Air Function

When the heating mode is activated, the indoor unit fan operates at the lowest speed to avoid blowing cold air. The airflow speed is automatically increased as the evaporator temperature rises, until the desired temperature is reached.



"I FEEL" Function

The intelligent temperature reading function "I FEEL" allows for precise adjustment of the airflow temperature to the current room conditions, providing maximum comfort with low energy consumption.



Heating Mode

Heating mode allows the air conditioner to be used year-round, even during cooler months. Thanks to the heat pump, the device can heat the air in the room, serving as an alternative to traditional heating systems.



8°C Heating Mode

This function allows the maintenance of a constant temperature of +8°C in heating mode during the winter, preventing the room from becoming too cold.



Dehumidification Mode

In dehumidification mode, the air conditioner reduces the humidity level in the room to an optimal value by automatically adjusting the temperature and airflow to achieve the best conditions for dehumidification. This prevents the growth of various air pollutants (fungi, mold, bacteria) and enhances comfort.



Quiet Mode

In quiet mode, the indoor unit of the air conditioner operates with a reduced sound pressure level, providing comfortable conditions in the room without unnecessary noise.



Automatic Mode

In AUTO mode, the air conditioner automatically selects the operating mode and the optimal fan speed based on the current conditions in the room*

* in automatic mode, the target temperature set by the program, which the air conditioner will aim to achieve, is either 25°C or 24°C, depending on the device model.

TECHNOLOGY

DC INVERTER
Inverter Technology
 The advanced inverter technology used in all AUX devices guarantees high efficiency and reliability, while also providing energy savings and reduced noise levels.

Intelligent Defrosting
 The intelligent defrosting system allows the air conditioner to operate almost continuously in heating mode. The defrosting mode is activated only when necessary and for just the required time to defrost the heat exchanger, which enables more efficient operation of the unit while heating the room.

Golden Fins on the Indoor Unit's Heat Exchanger
 The unique golden coating on the surface of the indoor unit's heat exchanger effectively prevents bacterial growth and improves performance. It also efficiently protects the exchanger's surface from corrosion, extending the lifespan of the device.

Hydrophilic Aluminum Blades
 Blades coated with a hydrophilic layer increase efficiency by up to 10% and improve condensation speed.

Automatic Restart
 In the event of a power outage, the device remembers the last settings and, upon power restoration, automatically restarts, returning to the previously set operating mode.

Fire-Resistant Electrical Box
 The device is equipped with a highly fire-resistant electrical box, which prevents potential fires in the event of an internal electrical short circuit.

Outdoor Unit Drip Tray Heater
 The drip tray heater protects the outdoor unit's heat exchanger from icing, allowing the device to operate efficiently in heating mode even during severe frost.

Anti-Corrosion Outdoor Unit Casing
 The outdoor unit's casing is coated with multiple protective layers, shielding it from insects, rodents, moisture, dust, and fire. This ensures the device's longevity and maintains its aesthetic appearance, even after years of exposure to harsh environmental conditions.

Golden Fins on the Outdoor Unit's Heat Exchanger
 The unique golden coating on the surface of the outdoor unit's heat exchanger effectively prevents bacterial growth and improves performance. It also efficiently protects the exchanger's surface from corrosion, extending the device's lifespan.

SUPER EMC
Super EMC
 All AUX brand products are tested for electromagnetic compatibility.

Cooling at low temperatures
 Top-class components, such as a high-performance compressor and high-quality heat exchanger, ensure reliable operation of the air conditioner in cooling mode even at very low outside temperatures, down to -15°C (for commercial and multi units).

Built-in condensate pump
 The unit is equipped with a high-lift condensate pump, allowing for flexible connection of the condensate drainage piping in a suspended ceiling space.



AUX
AIR CONDITIONER



Room
Air Conditioners RAC

Summary of Functions

● depending on the version



		C-Smart	C-Pro	Q-Smart Plus	Q-Smart Premium
HEALTH					
UV Sterilization		●		●	●
57°C Sterilization		●	●	●	●
Self-Cleaning Function		●	●	●	●
Antibacterial Filter		●	●	●	●
High-Density Filter		●	●	●	●
PM2.5 Filter		●			●
Optional Air Filters		●		●	●
Mold Protection Function		●	●	●	●
Honeycomb Filter					
Cold Plasma Ionizer					
Built-in Humidity Sensor			●		
CONVENIENCE					
Self-Diagnosis Function		●	●	●	●
24-Hour Timer		●	●	●	●
LED Display		●	●	●	●
Two-Way Drainage		●		●	●
Built-in Wi-Fi Module		●	●	●	●
Wireless Remote Controller		●	●	●	●
Heating Mode at -25°C		●	●		
Heating Mode at -22°C				●	●
Heating Mode at -20°C					

We reserve the right to have errors in descriptions, appearance, functions, technical specifications, and dimensional drawings that arise from the ongoing improvement of our devices.



	Q-Smart Premium Grey	J-Smart	J-Smart Art	Halo	Halo Deluxe	Freedom Plus Serie 3
HEALTH						
	●	●	●	●	●	●
	●	●	●	●	●	●
	●	●	●	●	●	●
	●	●	●	●	●	●
	●	●	●	●	●	●
	●	●	●	●	●	●
	●	●	●	●	●	●
	●	●	●	●	●	●
						●
CONVENIENCE						
	●	●	●	●	●	●
	●	●	●	●	●	●
	●	●	●	●	●	●
	●	●	●	●	●	●
	●	●	●	●	●	●
	●	●	●	●	●	●
	●	●	●			
	●	●	●			
				●	●	

We reserve the right to have errors in descriptions, appearance, functions, technical specifications, and dimensional drawings that arise from the ongoing improvement of our devices.

Summary of Functions

● depending on the version



TECHNOLOGY					
		C-Smart	C-Pro	Q-Smart Plus	Q-Smart Premium
Inverter Technology		●	●	●	●
Draining Tray Heater for the Outdoor Unit		●	●	●	●
Intelligent Defrosting		●	●	●	●
Anti-Corrosion Outer Casing		●	●	●	●
Gold-Plated Fins of the Outdoor Unit's Heat Exchanger		●	●	●	●
Gold-Plated Fins of the Indoor Unit's Heat Exchanger		●	●	●	●
Hydrophilic Aluminum Fins		●	●	●	●
Super EMC		●	●	●	●
Automatic Restart		●	●	●	●



	Q-Smart Premium Grey	J-Smart	J-Smart Art	Halo	Halo Deluxe	Freedom Plus Seria 3
	●	●	●	●	●	●
	●	●	●	●	●	●
	●	●	●	●	●	●
	●	●	●	●	●	●
	●	●	●	●	●	●
	●	●	●	●	●	●
	●	●	●	●	●	●
	●	●	●	●	●	●
	●	●	●	●	●	●
	●	●	●	●	●	●



We reserve the right to have errors in descriptions, appearance, functions, technical specifications, and dimensional drawings that arise from the ongoing improvement of our devices.

We reserve the right to have errors in descriptions, appearance, functions, technical specifications, and dimensional drawings that arise from the ongoing improvement of our devices.

Function
Descriptions

HEALTH

STERILIZATION



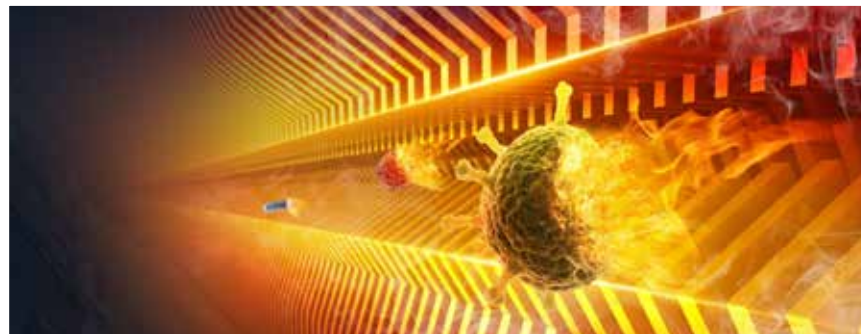
UV Sterilization

Inhibits virus growth by 99% through effective disinfection

The top models of the C-Smart, Q-Smart Premium, and J-Smart series are equipped with UV lamps, which ensure clean and healthy air. UV sterilization effectively purifies the air by eliminating viruses, fungi, and microorganisms. This function is especially recommended for allergy sufferers and individuals prone to infections.

57°C Sterilization

The heat exchanger maintains a high temperature of 57°C for an appropriate time to ensure optimal sterilization, effectively eliminating microorganisms, bacteria, and viruses.



Cold Plasma Ionizer

Clean and Safe Air in Your Home

The Cold Plasma ionizer produces negative ions, which are released into the air flowing through the air conditioner. These negatively charged ions have the ability to surround and attract various types of pollutants circulating in the room. They undergo a chemical reaction with these particles, deactivating them. In this way, the Cold Plasma ionizer effectively eliminates fine dust particles, viruses, bacteria, mites, mold, pollen, and other allergens from the air. It also neutralizes unpleasant odors, including cigarette smoke.



ADVANCED SELF-CLEANING

Self-Cleaning Function

Guarantee of a Clean Interior

After activating the self-cleaning function, the air conditioner starts in cooling mode with the fan at low speed, allowing condensed water to collect dust from the fins of the indoor unit's heat exchanger. The unit then switches to heating mode, with the fan still operating at low speed, allowing warm air to dry the interior. Finally, the air conditioner enters fan mode to

blow out the remaining moist air. This entire process keeps the interior of the indoor unit dry and prevents the growth of bacteria and mold. Thanks to the self-cleaning function, the air conditioner can ensure a clean and safe environment for users.

Elimination of pollutants at a 99.9% level:



Influenza virus



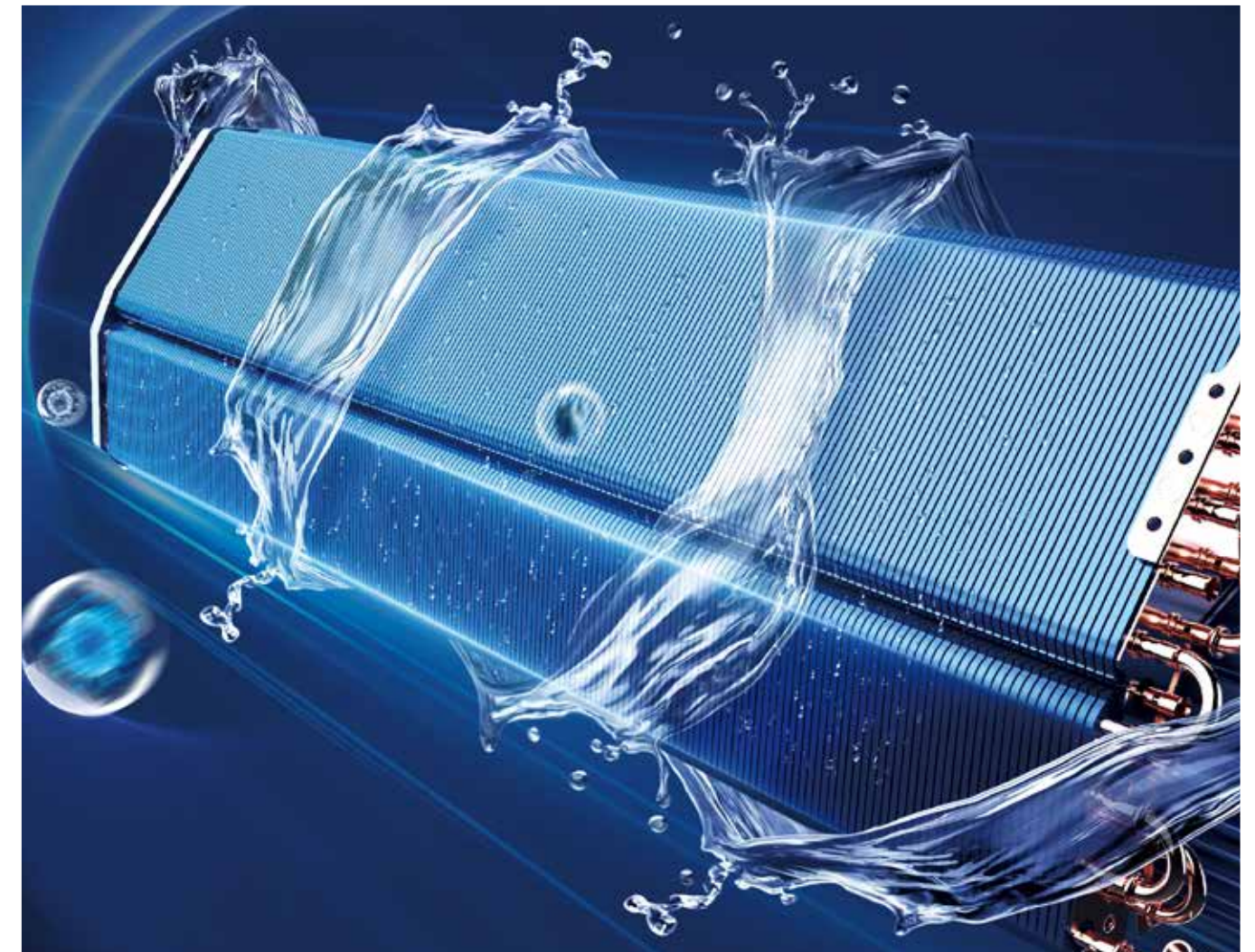
Escherichia coli bacteria



HFMD Virus



Staphylococcus aureus bacteria



HEALTH

PM2.5 Filter

The PM2.5 filter in air conditioners removes fine particles smaller than 2.5 micrometers in diameter, which can penetrate the lungs and bloodstream, causing health issues. The PM2.5 filter improves air quality and protects against pollutants, especially in urban areas with high pollution levels.

FILTRATION



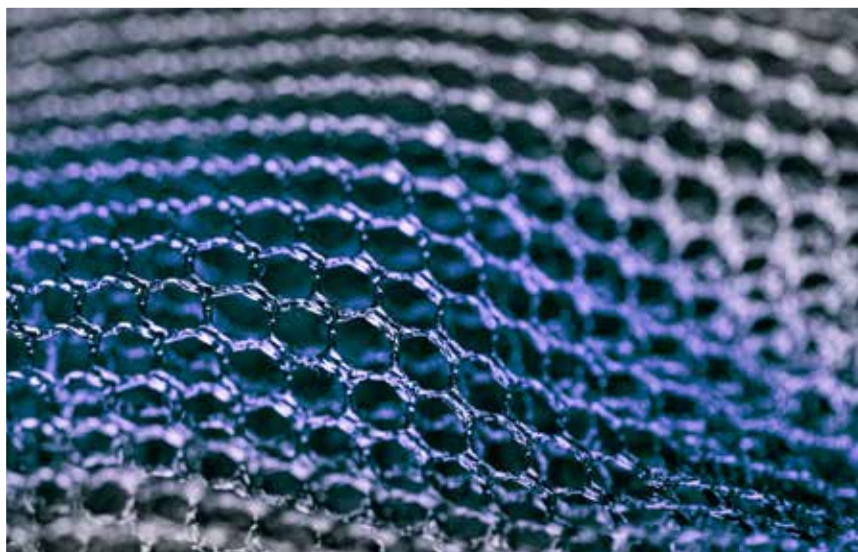
Antibacterial Filter

Effective Protection Against Microorganisms

The antibacterial filter has a sterilizing effect on all types of bacteria. Dust and airborne microorganisms are trapped on the antibacterial surface of the filter. Thanks to the bactericidal substances present, their growth is inhibited.

Honeycomb Filter

The honeycomb filter is a special type of filter with a hexagonal, honeycomb structure that increases its filtration surface while maintaining compact size. This unique design allows for more efficient capture of fine particles from the air, such as PM2.5, while also enhancing airflow through the filter.

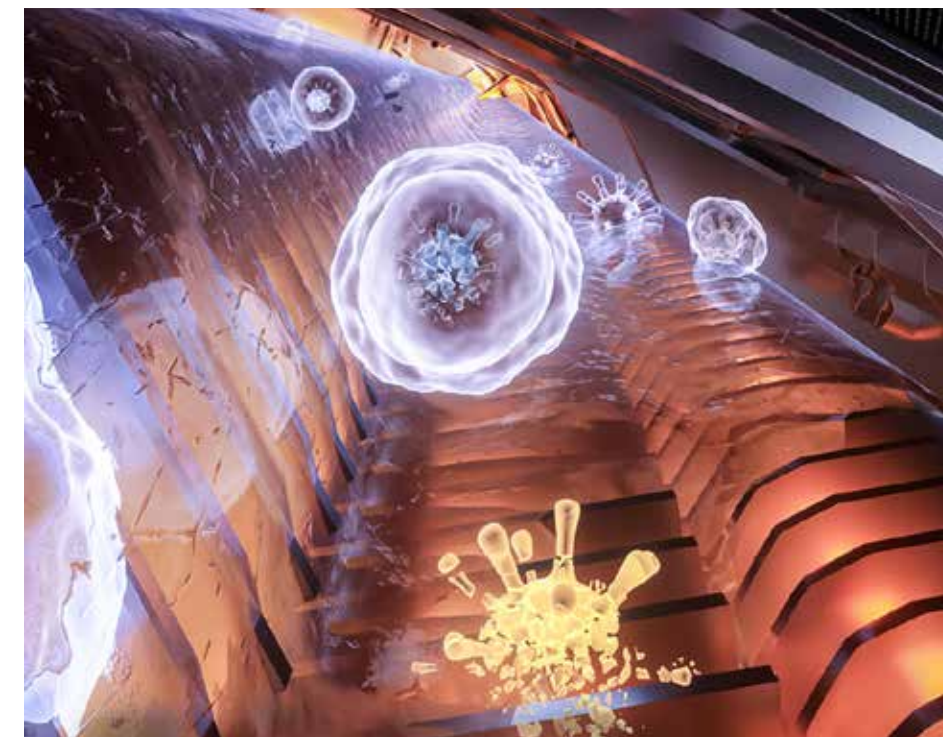


PRECISE HYGROMETER

In-bulit Humidity Sensor

AUX C-Pro air conditioners are equipped with a precise hygrometer for intelligent humidity detection in the room. When humidity is too high, the compressor frequency decreases to avoid condensation. When humidity is normal, the compressor frequency automatically increases to maintain temperature

balance in the room. The use of the hygrometer ensures continuous cooling, maintaining consistent performance and providing a fresh and comfortable indoor environment.



Mold Protection Function

After operation and shutdown, the air conditioner automatically enters a drying mode to remove moisture accumulated on the evaporator of the indoor unit. This process effectively prevents the growth of mold inside the air conditioner. This is crucial because moisture can lead to unpleasant odors and reduce the lifespan of the device. Regular drying of the evaporator ensures longer and more efficient operation of the air conditioner, as well as healthier and more hygienic usage conditions.

ECOLOGY

Refrigerant R32

AUX wall-mounted air conditioners operate using the latest, environmentally friendly refrigerant R32, which offers greater efficiency and a lower global warming potential compared to R410A refrigerant. It also does not contribute to ozone layer depletion.

CARING FOR THE ENVIRONMENT

Eco-Friendly

Refrigerant R32 has a very low Global Warming Potential (GWP) of 675. In comparison, R410A has a GWP of 2088, making R32 significantly more environmentally friendly—its impact on global warming is three times lower. It also has no negative effect on the ozone layer, as indicated by its Ozone Depletion Potential (ODP) of 0. Additionally, unlike R410A, R32 is a homogeneous (single-component) refrigerant, which allows it to be recycled.



High Efficiency

Thanks to its thermodynamic properties, refrigerant R32 is more efficient than R410A. The air conditioning system requires about 30% less refrigerant. Additionally, R32 increases the energy efficiency of the device by up to 10%.

Safe

Refrigerant R32 is characterized by low toxicity, ensuring a high level of safety during use.

R32



CONVENIENCE



Self-Diagnosis Function

The device monitors for malfunctions and shuts down in the event of a failure. An error code appears on the indoor unit display (or wired controller) indicating the type of fault, which significantly facilitates maintenance tasks.



CONTROL AND DIAGNOSTICS



Wireless Controller

Convenience and Intuitive Operation

The wireless remote control allows for remote operation of the air conditioner—turning the device on and off, selecting settings and functions such as operating mode, airflow temperature, fan speed, and airflow direction.



LED Display

Visible only when the unit is turned on

AUX wall-mounted air conditioners feature a modern LED display integrated into the front panel. It clearly shows the current operating status of the unit. When the air conditioner is turned off, the display is completely invisible. Additionally, when using the wired controller, the display can be turned off during operation if activated.



In-built 2.0 Wi-Fi Module

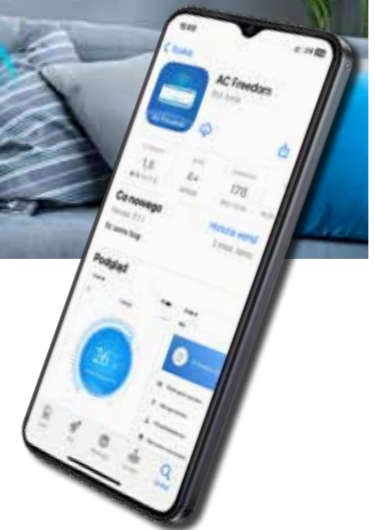
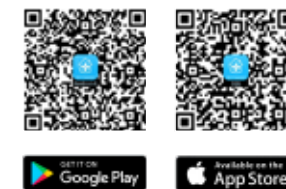
Convenient and Simple Control from Anywhere in the World

All AUX wall-mounted models come standard with a Wi-Fi module. The C-Smart, Q-Smart Plus, Q-Smart Premium, Q-Smart Premium Grey, Halo, Halo Deluxe, J-Smart, and J-Smart ART series are equipped with a Wi-Fi 2.0 module that plugs into the air conditioner via a USB port. This easy-to-install solution allows users to control the device's operating parameters via mobile devices, even when away from the home or office where the air conditioner is installed.

AC-Freedom App

To control the air conditioner via Wi-Fi, the AC Freedom app must be installed on a mobile device. The app allows control of multiple devices and lets users save individual parameters for each, such as operating mode, temperature settings, and fan speed level. The user-friendly and easy-to-navigate interface provides maximum convenience for managing the device.

Wi-Fi Control Module 2.0



EFFICIENT HEATING



Heating at -25°C

The heating function at -25°C allows the C-Smart and C-Pro series air conditioners to be used during the winter at low temperatures, which is especially important in climates with harsh winters. This feature enables the air conditioner to efficiently heat rooms even in extremely low outdoor temperatures, ensuring thermal comfort for residents.

The -22°C heating function is available in the Q-Smart Premium, Q-Smart Premium Grey, J-Smart, and J-Smart Art series. The -20°C heating function applies to the Q-Smart Plus, Halo, and Halo Deluxe series units.



COMFORT

Intelligent Airflow System

The C series air conditioners are designed to reduce the sensation of air drafts. Thanks to an innovative system of micro-holes and specially shaped air vanes, air is blown without creating the feeling of a draft.

Pioneering Micro-Hole Technology

To provide unparalleled airflow comfort, AUX designed the indoor unit housings and louvers to eliminate the sensation of drafts. This was made possible by the 2,430 micro-holes in the C-Smart air conditioner. The expelled air is dispersed, ensuring thermal comfort while maintaining speed and precision in controlling the room's temperature.

Triple Deflector Function

AUX, in the C-Pro series, introduced a pioneering solution by combining dual-axis blades with a micro-hole panel in a single device.

The number of micro-holes has been increased to 8,645, three times more than the previous model. This provides a larger surface area for releasing a gentle breeze of air.

AIRFLOW SYSTEM



Upper Airflow

Setting the C-Pro air conditioner's louvers upward directs the expelled air toward the ceiling and walls, ensuring thermal comfort throughout the entire room.



Floor Heating

Setting the C-Pro air conditioner's louvers downward allows warm air to be evenly distributed throughout the room, creating a sensation similar to underfloor heating.

4D AIRFLOW AND DEHUMIDIFICATION



4D Airflow

The Highest Level of Comfort

The air vanes of the indoor unit move automatically in both vertical and horizontal planes, allowing conditioned air to be blown in all directions (simultaneous vertical and horizontal swing).



Dehumidification Mode

Greater Sense of Comfort

In dehumidification mode, the air conditioner reduces the room's humidity level to an optimal value by automatically adjusting the temperature and airflow to achieve the best conditions for dehumidification. This prevents the growth of various airborne contaminants.



8°C Heating Mode

Maintaining a constant temperature of +8°C in heating mode prevents the room from becoming too cold and provides suitable conditions for pets and plants.

COMFORT



Anti-Cold-Air Function

Prevention of Cold Drafts

You don't need to worry about a sudden cold draft in heating mode. When heating is activated, the indoor unit fan starts at the lowest speed to avoid blowing cold air.

PRECISION AIRFLOW



I FEEL Function

Intelligent Temperature Reading

The "I FEEL" intelligent temperature reading function allows precise adjustment of the airflow temperature to the current room conditions, ensuring maximum comfort with low energy consumption.



Sleep Mode

When the sleep function is active, the air conditioner operates according to a preset temperature curve. After activation, during the first two hours in cooling mode, the set temperature increases by 1°C per hour (in heating mode, the temperature decreases at the same rate). For the next 5 hours, the achieved temperature is maintained at a constant level, after which the air conditioner turns off.



EASY AND QUICK INSTALLATION



Easy and Quick Installation

The front panel of the C-Smart series air conditioner and the lower part of the housing feature special clips that make removing and installing the unit easier. This reduces installation and servicing time by up to 20%. The specially designed

panel simplifies wall mounting of the air conditioner, making horizontal and vertical alignment much more convenient and allowing for hassle-free installation.



Easy and Quick Installation

Removable Lower Housing Cover

The indoor unit of the J-Smart series features a removable lower housing cover. This design makes the installation process much faster and easier. It allows for installation by

a single person, reducing installation time by up to half. The removable lower cover also provides convenient service access.



Single-Person Installation



Installation Time Reduced by Half



TECHNOLOGY

DC Inverter Technology

High-Quality Compressor

The inverter rotary compressor used in AUX air conditioners guarantees reliable and efficient operation, delivering the highest energy efficiency standards. It also ensures low operating costs and minimal noise generation. The durable, high-quality materials used in the compressor's construction contribute to its long-lasting and trouble-free performance.

Drip Tray Heater

Next-Generation Drip Tray Heater

The next-generation drip tray heater prevents the accumulation of excess snow and ice in the outdoor unit. This ensures that the unit will function properly even in very unfavorable weather conditions.

QUALITY AND RELIABILITY



Gold-Plated Fins of the Heat Exchanger

Long Lifespan and Corrosion Protection

The surface of the heat exchangers in both the indoor and outdoor units has been coated with a unique gold finish that effectively prevents bacterial growth and enhances the heating efficiency of the devices. It is also more resistant to oxidation and corrosion compared to the standard blue coating, further extending the device's lifespan.



Applies to the indoor and outdoor units of the C-Smart, C-Pro, J-Smart, Halo, and Q-Smart series. Units of the Freedom Plus Series 3 have blue heat exchanger fins.

LONG-LASTING DURABILITY

Intelligent Defrosting

Efficient Operation in Heating Mode

The air conditioner activates the defrosting mode only when necessary and only for the time required to defrost the heat exchanger, allowing for almost continuous operation in heating mode. The intelligent defrosting system improves energy efficiency by 5% and increases heating efficiency by up to 20% in low outdoor temperatures.



Anti-Corrosion Casing for the Outdoor Unit

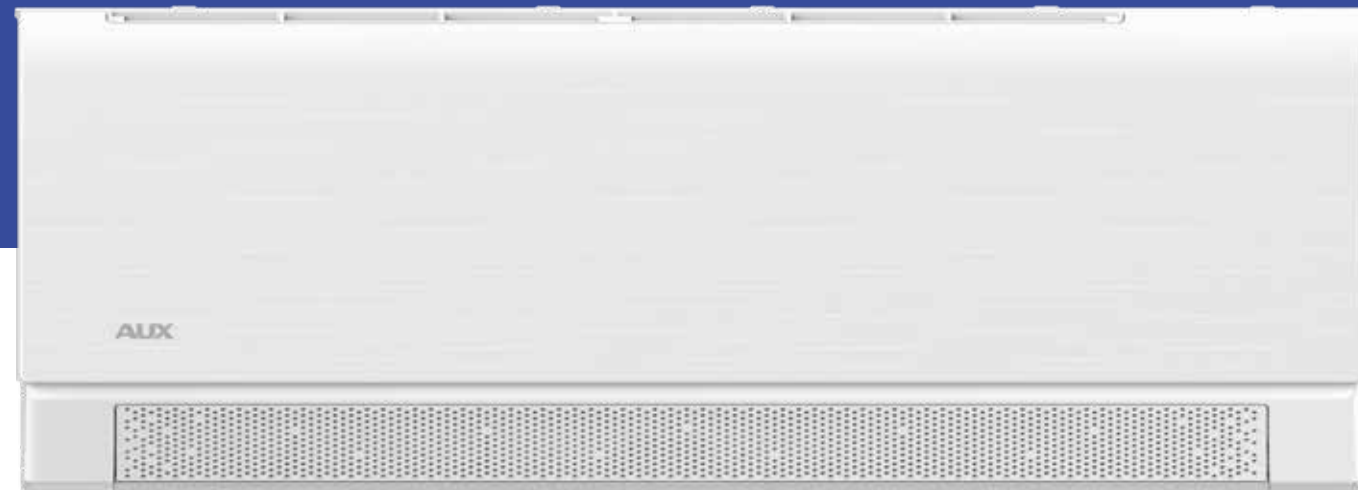
Extended Lifespan and Aesthetic Appeal

The outdoor unit's casing is coated with multiple protective layers, shielding it from insects, rodents, moisture, dust, and fire. This ensures the device's long lifespan and maintains its aesthetic appearance, even after years of exposure to harsh environmental conditions.



C-Smart

AUX-09/12/18/24CA
AUX-09/12CAA



The C-Smart series combines the latest trends with a wide range of functions that will appeal even to the most demanding users.

The combination of excellent manufacturing precision and the aesthetics of the C-Smart line air conditioners, along with their elegant design, not only ensures a perfect fit for a variety of interior styles but also serves as a refined and subtle decorative detail.



* depending on the version

HEALTH							ECOLOGY				
UV Sterilization*	57°C Sterilization ^{II}	Self-Cleaning Function ^{II}	Antibacterial Filter	Temperature Range Setting	PM 2.5 Filter	Optional Air Filters	Mold Protection Function	Refrigerant R32	Eco Mode	Standby Mode 0.3W	
CONVENIENCE							COMFORT				
Self-Diagnosis Function	24-Hour Timer	LED Display	Two-Way Drainage	Built-in Wi-Fi Module	Wireless Controller	Heating at -25°C	4D Airflow	Vertical Air Vane Movement	Horizontal Air Vane Movement	Anti-Cold-Air Function	Sleep Mode
COMFORT											
I FEEL Function	TURBO Function	Automatic Mode	Cooling Mode	Heating Mode	8°C Heating Mode	Dry Mode ^{II}	Fan Mode	Quiet Mode	Easy and Quick Installation		
TECHNOLOGY											
DC INVERTER	Drip Tray Heater for the Outdoor Unit	Intelligent Defrosting	Anti-Corrosion Outdoor Unit Casing	Gold-Plated Fins of the Outdoor Unit	Gold-Plated Fins of the Indoor Unit	Hydrophilic Aluminum Blades	SUPER EMC	Automatic Restart			

* depending on the version

C-Smart

CA Series

AUX-09/12CA



Model		AUX-09CA	AUX-12CA
Cooling Capacity	[kW]	2,70 (0,60 - 4,00)	3,50 (0,65 - 4,10)
Heating Capacity	[kW]	3,30 (0,80 - 4,20)	4,20 (0,93 - 4,20)
Power Supply	[V~,Hz,Ph]	220-240, 50, 1	220-240, 50, 1
Operating Current	Cooling	[A] 3,70 (0,56 - 5,32)	4,20 (0,56 - 5,80)
	Heating	[A] 4,00 (1,02 - 5,32)	4,80 (1,00 - 6,30)
Energy Consumption	Cooling	[W] 720 (100 - 1200)	870 (130 - 1550)
	Heating	[W] 800 (200 - 1200)	1060 (230 - 1300)
Maximum Current Consumption	[A]	9,0	9,0
Maximum Power Consumption	[W]	1600	1500
SEER / SCOP	-	8,50 / 4,60	8,50 / 4,60
Energy Efficiency Class	Cooling	A+++	A+++
	Heating	A++	A++
Indoor Unit		AUX-09CA/I	AUX-12CA/I
Airflow	[m³/h]	700/611/558/504	650/580/550/500
Sound Power Level	[dB(A)]	54	56
Indoor Unit Dimensions	[mm]	774 x 299 x 202	834 x 299 x 202
Indoor Unit Weight	[kg]	8,0	8,0
Outdoor Unit		AUX-09CA/O	AUX-12CA/O
Refrigerant	Type	- R32	R32
	Factory Charge (up to 5m)	[g] 550	600
	Additional Charge	[g/m] 15	15
Sound Power Level	[dB(A)]	61	62
Outdoor Unit Dimensions	[mm]	709 x 280 x 530	709 x 280 x 530
Outdoor Unit Weight	[kg]	22,5	24,5
Outdoor Unit Operation (External Temperature)	Cooling	[°C] -10	-10
	Heating	[°C] -25	-25
Pipe Connections (Diameter)	Liquid	[inch] 1/4	1/4
	Gas	[inch] 3/8	3/8
Maximum Piping Length	[m]	20	20
Maximum Height Difference	[m]	10	10



Wireless Controller Type C



Air conditioning devices contain fluorinated greenhouse gases R32. We reserve the right to errors in descriptions, appearance, functions, technical specifications, and dimensional drawings that arise from the ongoing improvement of our devices.

C-Smart

CAA / CA Series

AUX-09/12CAA, AUX-18/24CA



Model		AUX-09CAA	AUX-12CAA	AUX-18CA	AUX-24CA
Cooling Capacity	[kW]	2,75 (0,60 - 4,00)	3,50 (0,80 - 4,20)	5,40 (1,30 - 5,90)	7,30 (1,80 - 7,40)
Heating Capacity	[kW]	3,30 (0,80 - 4,20)	3,85 (1,00 - 4,20)	5,60 (1,30 - 6,00)	7,30 (1,80 - 7,40)
Power Supply	[V~,Hz,Ph]	220-240, 50, 1	220-240, 50, 1	220-240, 50, 1	220-240, 50, 1
Operating Current	Cooling	[A] 3,70	5,50	7,30 (2,20 - 9,30)	10,00 (1,00 - 12,00)
	Heating	[A] 4,00	5,90	6,90 (2,00 - 8,00)	10,00 (1,00 - 11,00)
Energy Consumption	Cooling	[W] 780	1180	1650 (290 - 2100)	2200 (230 - 2700)
	Heating	[W] 840	1100	1550 (250 - 1800)	2200 (230 - 2530)
Maximum Current Consumption	[A]	9,0	9,5	12,0	16,0
Maximum Power Consumption	[W]	1600	1900	2400	3400
SEER / SCOP	-	7,60 / 4,20	7,10 / 4,10	7,00 / 4,10	6,90 / 4,20
Energy Efficiency Class	Cooling	A++	A++	A++	A++
	Heating	A+	A+	A+	A+
Indoor Unit		AUX-09CAA/I	AUX-12CAA/I	AUX-18CA/I	AUX-24CA/I
Airflow	[m³/h]	650/570/515/460	650/570/515/460	900/800/750/650	1300/1200/1010/870
Sound Power Level	[dB(A)]	53	53	58	63
Indoor Unit Dimensions	[mm]	774 x 299 x 202	774 x 299 x 202	997 x 312 x 222	1145 x 331 x 230
Indoor Unit Weight	[kg]	7,5	8,0	11,0	13,0
Outdoor Unit		AUX-09CAA/O	AUX-12CAA/O	AUX-18CA/O	AUX-24CA/O
Refrigerant	Type	- R32	R32	R32	R32
	Factory Charge (up to 5m)	[g] 550	600	1030	1300
	Additional Charge	[g/m] 15	15	20	30
Sound Power Level	[dB(A)]	62	62	62	66
Outdoor Unit Dimensions	[mm]	709 x 280 x 530	709 x 280 x 530	785 x 555 x 300	900 x 700 x 350
Outdoor Unit Weight	[kg]	23,0	23,0	28,5	39,0
Outdoor Unit Operation (External Temperature)	Cooling	[°C] -10	-10	-10	-10
	Heating	[°C] -25	-25	-25	-25
Pipe Connections (Diameter)	Liquid	[inch] 1/4	1/4	1/4	1/4
	Gas	[inch] 3/8	3/8	1/2	5/8
Maximum Piping Length	[m]	20	20	20	25
Maximum Height Difference	[m]	10	10	10	15



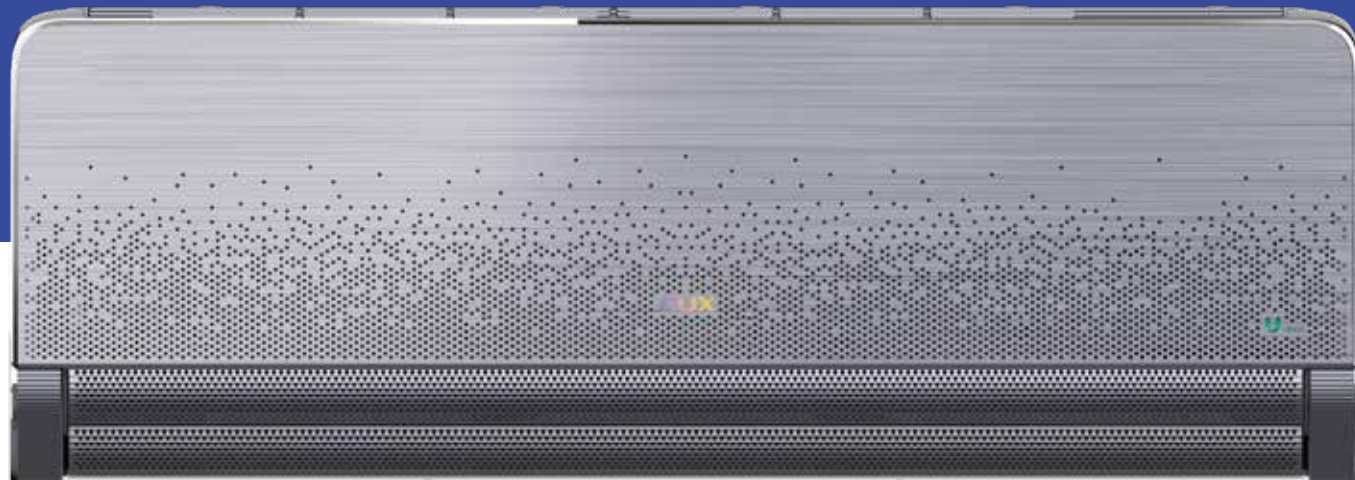
Wireless Controller Type C



Air conditioning devices contain fluorinated greenhouse gases R32. We reserve the right to errors in descriptions, appearance, functions, technical specifications, and dimensional drawings that arise from the ongoing improvement of our devices.

C-Pro

AUX-09/12CPRO



C-Pro air conditioners are equipped with innovative airflow technology that ensures unparalleled user comfort.

C-Pro air conditioners stand out for their exceptional precision in craftsmanship and modern aesthetics, making them a perfect fit for a variety of interior designs. Their elegant design serves as a subtle and refined decorative element. Thanks to the innovative technology of distributing air through 8,645 micro-holes, users can enjoy an unparalleled level of comfort.



HEALTH						ECOLOGY					
57°C Sterilization	Self-Cleaning Function	Temperature Range Setting	Built-in Humidity Sensor	Mold Protection Function	High-Density Filter	Refrigerant R32	Eco Mode	Standby Mode 0.3W			
CONVENIENCE						COMFORT					
Self-Diagnosis Function	24-Hour Timer	LED Display	Built-in Wi-Fi Module	Wireless Controller	Heating at -25°C	4D Airflow	Vertical Air Vane Movement	Horizontal Air Vane Movement	Anti-Cold-Air Function	Sleep Mode	I FEEL Function
COMFORT											
TURBO Function	Automatic Mode	Cooling Mode	Heating Mode	8°C Heating Mode	Dry Mode	Fan Mode	Quiet Mode	Easy and Quick Installation	Child-Lock Function		
TECHNOLOGY											
DC Inverter Technology	Drip Tray Heater for the Outdoor Unit	Intelligent Defrosting	Anti-Corrosion Outdoor Unit Casing	Gold-Plated Fins of the Outdoor Unit	Gold-Plated Fins of the Indoor Unit	Hydrophilic Aluminum Blades	Super EMC	Automatic Restart			



C-Pro

CPRO Series

AUX-09/12CPRO



Model		AUX-09CPRO	AUX-12CPRO
Cooling Capacity	[kW]	2,70 (0,60 - 4,00)	3,50 (0,65 - 4,10)
Heating Capacity	[kW]	3,30 (0,80 - 4,20)	4,20 (0,93 - 4,20)
Power Supply	[V~,Hz,Ph]	220-240, 50, 1	220-240, 50, 1
Operating Current	Cooling	[A] 3,20 (0,56 - 5,92)	4,20 (0,70 - 7,80)
	Heating	[A] 3,70 (1,02 - 5,92)	4,80 (1,50 - 8,00)
Energy Consumption	Cooling	[W] 640 (100 - 1200)	900 (100 - 1600)
	Heating	[W] 720 (200 - 1200)	1050 (300 - 1600)
Maximum Current Consumption	[A]	8,9	9,0
Maximum Power Consumption	[W]	1600	1500
SEER / SCOP	-	9,00 / 4,70	8,80 / 4,70
Energy Efficiency Class	Cooling	-	A+++
	Heating	-	A++
Indoor Unit		AUX-09CPRO/I	AUX-12CPRO/I
Airflow	[m³/h]	650	650
Sound Power Level	[dB(A)]	54	54
Indoor Unit Dimensions	[mm]	890 x 311 x 212	890 x 311 x 212
Indoor Unit Weight	[kg]	9,5	9,5
Outdoor Unit		AUX-09CPRO/O	AUX-12CPRO/O
Refrigerant	Type	-	R32
	Factory Charge (up to 5m)	[g]	600
	Additional Charge	[g/m]	15
Sound Power Level	[dB(A)]	61	61
Outdoor Unit Dimensions	[mm]	705 x 279 x 530	705 x 279 x 530
Outdoor Unit Weight	[kg]	24,5	24,5
Outdoor Unit Operation (External Temperature)	Cooling	[°C]	-10
	Heating	[°C]	-25
Pipe Connections (Diameter)	Liquid	[inch]	1/4
	Gas	[inch]	3/8
Maximum Piping Length	[m]	20	20
Maximum Height Difference	[m]	10	10



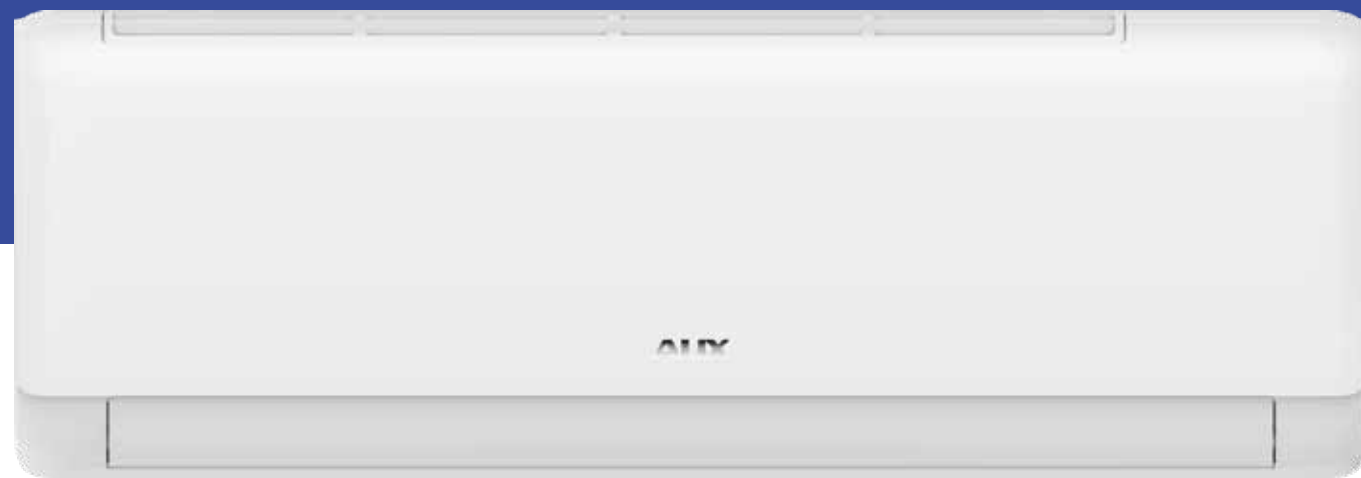
Wireless Controller Type C

Wi-Fi Control Module 2.0

Air conditioning devices contain fluorinated greenhouse gases R32. We reserve the right to errors in descriptions, appearance, functions, technical specifications, and dimensional drawings that arise from the ongoing improvement of our devices.

Q-Smart Plus

AUX-09/12/18/24QC



Q-Smart Plus combines advanced technologies with high quality and aesthetic design.

The Q-Smart Plus air conditioner stands out with its impeccable design, perfected in every detail. Designed in line with the latest interior design trends, it seamlessly blends into elegant spaces, subtly enhancing their style.



HEALTH



UV Sterilization



57°C Sterilization



Self-Cleaning Function



Mold Protection Function



High-Density Filter



Antibacterial Filter



Optional Air Filters



Refrigerant R32



Standby Mode 0.3W

ECOLOGY

CONVENIENCE



Self-Diagnosis Function



24-Hour Timer



LED Display



Two-Way Drainage



Built-in Wi-Fi Module



Wireless Controller



Heating at -22°C *

COMFORT



4D Airflow



Vertical Air Vane Movement



Horizontal Air Vane Movement



Anti-Cold-Air Function



Sleep Mode

COMFORT



I FEEL Function



TURBO Function



Automatic Mode



Cooling Mode



Heating Mode



Dry Mode



Fan Mode



Fast Cooling / Heating

TECHNOLOGY



Inverter Technology



Drip Tray Heater for the Outdoor Unit*



Intelligent Defrosting



Anti-Corrosion Outdoor Unit Casing



Hydrophilic Aluminum Blades



Super EMC



Automatic Restart

* depending on the version



Q-Smart Plus

QC Series

AUX-09/12/18/24QC



Model		AUX-09QC	AUX-12QC	AUX-18QC	AUX-24QC	
Cooling Capacity	[kW]	2,70 (0,60 - 3,80)	3,50 (0,80 - 4,10)	5,40 (1,30 - 5,80)	6,70 (1,80 - 7,40)	
Heating Capacity	[kW]	3,00 (0,80 - 4,20)	3,80 (1,00 - 4,20)	5,60 (1,30 - 6,00)	7,20 (1,80 - 8,20)	
Power Supply	[V~,Hz,Ph]	220-240, 50, 1	220-240, 50, 1	220-240, 50, 1	220-240, 50, 1	
Operating Current	Cooling	[A]	3,80	5,60	7,50	10,00
	Heating	[A]	4,10	4,90	7,00	9,50
Energy Consumption	Cooling	[W]	800	1180	1700	2200
	Heating	[W]	850	1100	1600	2200
Maximum Current Consumption	[A]	9,5	9,5	12,0	16,0	
Maximum Power Consumption	[W]	1900	1900	2400	3400	
SEER / SCOP	-	6,1 / 4,00	6,1 / 4,00	7,3 / 4,3	6,1 / 4,0	
Energy Efficiency Class	Cooling	-	A++	A++	A++	A++
	Heating	-	A+	A+	A+	A+
Indoor Unit		AUX-09QC/I	AUX-12QC/I	AUX-18QC/I	AUX-24QC/I	
Airflow	[m³/h]	600	600	950	1300	
Sound Pressure Level	[dB(A)]	38/31/27/22/19	38/32/29/23/20	41/32/31/26/23	38/36/33/31/23	
Sound Power Level	[dB(A)]	44/40/39/31/24	44/40/36/32/23	43/40/37/35/30	48/43/40/37/28	
Indoor Unit Dimensions ¹⁾	[mm]	761 x 296 x 198	761 x 296 x 198	960 x 315 x 220	1089 x 327 x 225	
Indoor Unit Weight ¹⁾	[kg]	7,5	7,5	11,0	12,5	
Outdoor Unit		AUX-09QC/O	AUX-12QC/O	AUX-18QC/O	AUX-24QC/O	
Refrigerant	Type	-	R32	R32	R32	R32
	Factory Charge (up to 5m)	[g]	560	560	1030	1300
	Additional Charge	[g/m]	15	15	20	30
Sound Pressure Level	[dB(A)]	52	52	56	58	
Sound Power Level	[dB(A)]	64	64	62	66	
Outdoor Unit Dimensions	[mm]	708 x 538 x 283	708 x 538 x 283	785 x 555 x 300	900 x 700 x 350	
Outdoor Unit Weight	[kg]	22,5	22,5	28	39	
Outdoor Unit Operation (External Temperature)	Cooling	[°C]	-10	-10	-10	-10
	Heating	[°C]	-22	-22	-22	-20
Pipe Connections (Diameter)	Liquid	[inch]	1/4	1/4	1/4	1/4
	Gas	[inch]	3/8	3/8	1/2	5/8
	Condensate ²⁾	[mm]	16	16	16	18
Maximum Piping Length	[m]	20	20	20	25	
Maximum Height Difference	[m]	10	10	10	15	



Wireless Controller Type I

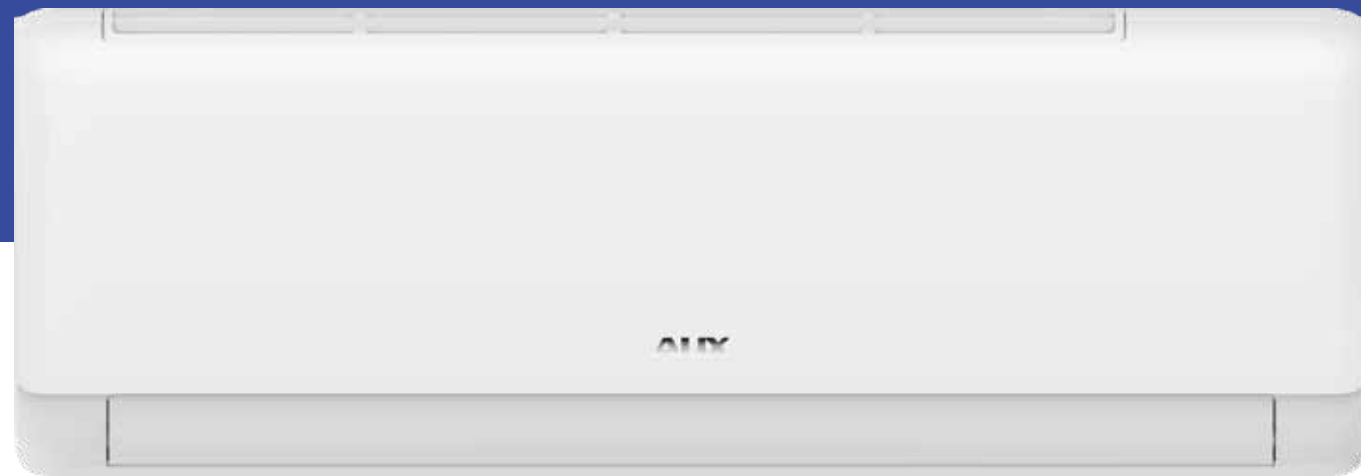
Wi-Fi Control Module 2.0

Air conditioning devices contain fluorinated greenhouse gases R32.

We reserve the right to errors in descriptions, appearance, functions, technical specifications, and dimensional drawings that arise from the ongoing improvement of our devices.

Q-Smart Premium

AUX-09/12/18/24QP



Q-Smart Premium offers health-promoting functions, advanced technology, and an exceptionally stylish casing.

The high quality and aesthetics, combined with the slim design of Q-Smart Premium air conditioners, ensure that these devices not only perfectly fit into any interior style but also serve as elegant and discreet decorative elements.

R32

UV

A++

COOLING

A+

HEATING

AIR CONDITIONER

5

YEARS OF WARRANTY

COMPRESSOR

10

YEARS OF WARRANTY

HEALTH

ECOLOGY

CONVENIENCE

COMFORT

COMFORT

TECHNOLOGY

UV Sterilization

57°C Sterilization

Self-Cleaning Function

Mold Protection Function

High-Density Filter

Antibacterial Filter

PM2.5 Filter

Optional Air Filters

Refrigerant R32

Eco Mode

Standby Mode 0.3W

Self-Diagnosis Function

24-Hour Timer

LED Display

Two-Way Drainage

Built-in Wi-Fi Module

Wireless Controller

Heating at -22°C

4D Airflow

Vertical Air Vane Movement

Horizontal Air Vane Movement

Anti-Cold-Air Function

Sleep Mode

I FEEL Function

TURBO Function

Automatic Mode

Cooling Mode

Heating Mode

8°C Heating Mode

Dry Mode

Fan Mode

Easy and Quick Installation

DC Inverter

Drip Tray Heater for the Outdoor Unit*

Intelligent Defrosting

Anti-Corrosion Outdoor Unit Casing

Gold-Plated Fins of the Outdoor Unit

Gold-Plated Fins of the Indoor Unit

Hydrophilic Aluminum Fins

Super EMC

Automatic Restart



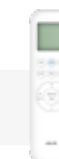
Q-Smart Premium

QP Series

AUX-09/12/18/24QP



Model		AUX-09QP	AUX-12QP	AUX-18QP	AUX-24QP	
Cooling Capacity	[kW]	2,70 (0,60 - 3,80)	3,50 (0,80 - 4,10)	5,40 (1,30 - 5,80)	6,70 (1,80 - 7,40)	
Heating Capacity	[kW]	3,00 (0,80 - 4,20)	3,80 (1,00 - 4,20)	5,60 (1,30 - 6,00)	7,20 (1,80 - 8,20)	
Power Supply	[V~,Hz,Ph]	220-240, 50, 1	220-240, 50, 1	220-240, 50, 1	220-240, 50, 1	
Operating Current	Cooling	[A]	3,80	5,60	7,50	10,00
	Heating	[A]	4,10	4,90	7,00	9,50
Energy Consumption	Cooling	[W]	800	1180	1700	2200
	Heating	[W]	850	1100	1600	2200
Maximum Current Consumption	[A]	9,5	9,5	12,0	16,0	
Maximum Power Consumption	[W]	1900	1900	2400	3400	
SEER / SCOP	-	6,1 / 4,0	6,1 / 4,0	7,3 / 4,3	6,1 / 4,0	
Energy Efficiency Class	Cooling	-	A++	A++	A++	A++
	Heating	-	A+	A+	A+	A+
Indoor Unit		AUX-09QP/I	AUX-12QP/I	AUX-18QP/I	AUX-24QP/I	
Airflow	[m³/h]	600	600	950	1300	
Sound Pressure Level	[dB(A)]	38/31/27/22/19	38/32/29/23/20	41/32/31/26/23	38/36/33/31/23	
Sound Power Level	[dB(A)]	44/40/39/31/24	44/40/36/32/23	43/40/37/35/30	48/43/40/37/28	
Indoor Unit Dimensions ¹⁾	[mm]	761 x 296 x 198	761 x 296 x 198	960 x 315 x 220	1089 x 327 x 225	
Indoor Unit Weight ¹⁾	[kg]	7,5	7,5	11,0	12,5	
Outdoor Unit		AUX-09QP/O	AUX-12QP/O	AUX-18QP/O	AUX-24QP/O	
Refrigerant	Type	-	R32	R32	R32	R32
	Factory Charge (up to 5m)	[g]	560	560	1030	1300
	Additional Charge	[g/m]	15	15	20	30
Sound Pressure Level	[dB(A)]	52	52	56	58	
Sound Power Level	[dB(A)]	64	64	62	66	
Outdoor Unit Dimensions	[mm]	708 x 538 x 283	708 x 538 x 283	785 x 555 x 300	900 x 700 x 350	
Outdoor Unit Weight	[kg]	22,5	22,5	28	39	
Outdoor Unit Operation (External Temperature)	Cooling	[°C]	-10	-10	-10	-10
	Heating	[°C]	-22	-22	-22	-22
Pipe Connections (Diameter)	Liquid	[inch]	1/4	1/4	1/4	1/4
	Gas	[inch]	3/8	3/8	1/2	5/8
	Condensate ²⁾	[mm]	16	16	16	18
Maximum Piping Length	[m]	20	20	20	25	
Maximum Height Difference	[m]	10	10	10	15	



Wireless Controller Type T



Air conditioning devices contain fluorinated greenhouse gases R32.

We reserve the right to errors in descriptions, appearance, functions, technical specifications, and dimensional drawings that arise from the ongoing improvement of our devices.

Q-Smart Premium Grey

AUX-09/12/18/24QB



Q-Smart Premium Grey offers health-promoting functions, advanced technology, and an exceptionally stylish casing in original grey.

The elegant, graphite casing imitating chrome silver is a great option for those seeking unconventional color variants. This model will serve as a bold color accent, adding character to any interior.



HEALTH



UV Sterilization



57°C Sterilization



Self-Cleaning Function



Mold Protection Function



High-Density Filter



Antibacterial Filter



PM2.5 Filter



Optional Air Filters

ECOLOGY



Refrigerant R32



Eco Mode



Standby Mode 0.3W

CONVENIENCE



Self-Diagnosis Function



24-Hour Timer



LED Display



Two-Way Drainage



Built-in Wi-Fi Module



Wireless Controller



Heating at -22°C

COMFORT



4D Airflow



Vertical Air Vane Movement



Horizontal Air Vane Movement



Anti-Cold-Air Function



Sleep Mode

COMFORT



I FEEL Function



TURBO Function



Automatic Mode



Cooling Mode



Heating Mode



8°C Heating Mode



Dry Mode



Fan Mode



Easy and Quick Installation

TECHNOLOGY



Inverter Technology



Drip Tray Heater for the Outdoor Unit*



Intelligent Defrosting



Anti-Corrosion Outdoor Unit Casing



Gold-Plated Fins of the Outdoor Unit



Gold-Plated Fins of the Indoor Unit



Hydrophilic Aluminum Fins



Super EMC



Automatic Restart



Q-Smart Premium Grey

QB Series

AUX-09/12/18/24QB



Model		AUX-09QB	AUX-12QB	AUX-18QB	AUX-24QB	
Cooling Capacity	[kW]	2,70 (0,60 - 3,80)	3,50 (0,80 - 4,10)	5,40 (1,30 - 5,80)	6,70 (1,80 - 7,40)	
Heating Capacity	[kW]	3,00 (0,80 - 4,20)	3,80 (1,00 - 4,20)	5,60 (1,30 - 6,00)	7,20 (1,80 - 8,20)	
Power Supply	[V~,Hz,Ph]	220-240, 50, 1	220-240, 50, 1	220-240, 50, 1	220-240, 50, 1	
Operating Current	Cooling	[A]	3,80	5,60	7,50	10,00
	Heating	[A]	4,10	4,90	7,00	9,50
Energy Consumption	Cooling	[W]	800	1180	1700	2200
	Heating	[W]	850	1100	1600	2200
Maximum Current Consumption	[A]	9,5	9,5	12,0	16,0	
Maximum Power Consumption	[W]	1900	1900	2400	3400	
SEER / SCOP	-	6,1 / 4,0	6,1 / 4,0	7,3 / 4,3	6,1 / 4,0	
Energy Efficiency Class	Cooling	-	A++	A++	A++	A++
	Heating	-	A+	A+	A+	A+
Indoor Unit		AUX-09QB/I	AUX-12QB/I	AUX-18QB/I	AUX-24QB/I	
Airflow	[m³/h]	600	600	950	1300	
Sound Pressure Level	[dB(A)]	38/31/27/22/19	38/32/29/23/20	41/32/31/26/23	38/36/33/31/23	
Sound Power Level	[dB(A)]	44/40/39/31/24	44/40/36/32/23	43/40/37/35/30	48/43/40/37/28	
Indoor Unit Dimensions ¹⁾	[mm]	761 x 296 x 198	761 x 296 x 198	960 x 315 x 220	1089 x 327 x 225	
Indoor Unit Weight ¹⁾	[kg]	7,5	7,5	11,0	12,5	
Outdoor Unit		AUX-09QB/O	AUX-12QB/O	AUX-18QB/O	AUX-24QB/O	
Refrigerant	Type	-	R32	R32	R32	R32
	Factory Charge (up to 5m)	[g]	560	560	1030	1300
	Additional Charge	[g/m]	15	15	20	30
Sound Pressure Level	[dB(A)]	52	52	56	58	
Sound Power Level	[dB(A)]	64	64	62	66	
Outdoor Unit Dimensions	[mm]	708 x 538 x 283	708 x 538 x 283	785 x 555 x 300	900 x 700 x 350	
Outdoor Unit Weight	[kg]	22,5	22,5	28	39	
Outdoor Unit Operation (External Temperature)	Cooling	[°C]	-10	-10	-10	-10
	Heating	[°C]	-22	-22	-22	-22
Pipe Connections (Diameter)	Liquid	[inch]	1/4	1/4	1/4	1/4
	Gas	[inch]	3/8	3/8	1/2	5/8
	Condensate ²⁾	[mm]	16	16	16	18
Maximum Piping Length	[m]	20	20	20	25	
Maximum Height Difference	[m]	10	10	10	15	



Wireless Controller Type T

Wi-Fi Control Module 2.0

Air conditioning devices contain fluorinated greenhouse gases R32.

We reserve the right to errors in descriptions, appearance, functions, technical specifications, and dimensional drawings that arise from the ongoing improvement of our devices.

J-Smart

AUX-09/12/18/24J20



The J-Smart series features innovative design solutions and minimalist, unique aesthetics.

The units feature a reinforced, damage-resistant casing with a removable lower cover, patented vertical air vanes shaped like fish fins, and a dual-layer horizontal air vane that perfectly adjusts the airflow direction to the device's operating mode. The white casing, with its simple form and matte finish, aligns well with current design trends.



HEALTH



UV Sterilization



57°C Sterilization



Self-Cleaning Function



Mold Protection Function



High-Density Filter



Antibacterial Filter



PM2.5 Filter



Optional Air Filters

ECOLOGY



Refrigerant R32



Eco Mode



Standby Mode 0.3W

CONVENIENCE



Self-Diagnosis Function



24-Hour Timer



LED Display



Two-Way Drainage



Built-in Wi-Fi Module



Wireless Controller



Heating at -22°C

COMFORT



4D Airflow



Vertical Air Vane Movement



Horizontal Air Vane Movement



Anti-Cold-Air Function



Sleep Mode

COMFORT



I FEEL Function



TURBO Function



Automatic Mode



Cooling Mode



Heating Mode



8°C Heating Mode



Dry Mode



Fan Mode



Easy and Quick Installation

TECHNOLOGY



Inverter Technology



Drip Tray Heater for the Outdoor Unit*



Intelligent Defrosting



Anti-Corrosion Outdoor Unit Casing



Gold-Plated Fins of the Outdoor Unit



Gold-Plated Fins of the Indoor Unit



Hydrophilic Aluminum Fins



Super EMC



Automatic Restart



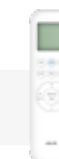
J-Smart

J20 Series

AUX-09/12/18/24J20



Model		AUX-09J20	AUX-12J20	AUX-18J20	AUX-24J20	
Cooling Capacity	[kW]	2,70 (0,60 - 3,80)	3,50 (0,80 - 4,10)	5,30 (1,30 - 5,90)	7,20 (1,80 - 7,40)	
Heating Capacity	[kW]	3,00 (0,80 - 4,20)	3,80 (1,00 - 4,20)	5,60 (1,30 - 6,00)	7,20 (1,80 - 8,00)	
Power Supply	[V~,Hz,Ph]	220-240, 50, 1	220-240, 50, 1	220-240, 50, 1	220-240, 50, 1	
Operating Current	Cooling	[A]	3,80	5,60	7,50	10,00
	Heating	[A]	4,10	4,90	7,00	9,50
Energy Consumption	Cooling	[W]	800	1180	1580	2200
	Heating	[W]	850	1100	1550	2200
Maximum Current Consumption	[A]	9,5	9,5	12,0	16,0	
Maximum Power Consumption	[W]	1900	1900	2400	3400	
SEER / SCOP	-	6,20 / 4,00	6,19 / 4,03	7,00 / 4,19	6,53 / 4,09	
Energy Efficiency Class	Cooling	-	A++	A++	A++	A++
	Heating	-	A+	A+	A+	A+
Indoor Unit		AUX-09J20/I	AUX-12J20/I	AUX-18J20/I	AUX-24J20/I	
Airflow	[m³/h]	600	600	850	1300	
Sound Pressure Level	[dB(A)]	38/31/27/22/19	38/32/29/23/20	41/32/31/26/23	38/36/33/31/23	
Sound Power Level	[dB(A)]	44/40/36/31/24	44/40/36/32/23	37/43/40/35/30	48/43/40/37/28	
Indoor Unit Dimensions ¹⁾	[mm]	790 x 292 x 206	790 x 292 x 206	939 x 316 x 226	1126 x 329 x 232	
Indoor Unit Weight ¹⁾	[kg]	8,5	8,5	11,5	14,0	
Outdoor Unit		AUX-09J20/O	AUX-12J20/O	AUX-18J20/O	AUX-24J20/O	
Refrigerant	Type	-	R32	R32	R32	R32
	Factory Charge (up to 5m)	[g]	560	560	1030	1300
	Additional Charge	[g/m]	15	15	25	25
Sound Pressure Level	[dB(A)]	55	56	56	58	
Sound Power Level	[dB(A)]	61	62	62	66	
Outdoor Unit Dimensions	[mm]	708 x 538 x 283	708 x 538 x 283	785 x 555 x 300	900 x 700 x 350	
Outdoor Unit Weight	[kg]	22,5	22,5	28,0	49,0	
Outdoor Unit Operation (External Temperature)	Cooling	[°C]	-10	-10	-10	-10
	Heating	[°C]	-22	-22	-22	-22
Pipe Connections (Diameter)	Liquid	[inch]	1/4	1/4	1/4	1/4
	Gas	[inch]	3/8	3/8	1/2	5/8
	Condensate ²⁾	[mm]	16	16	16	18
Maximum Piping Length	[m]	20	20	25	25	
Maximum Height Difference	[m]	10	10	15	15	



Wireless Controller Type T



Air conditioning devices contain fluorinated greenhouse gases R32. We reserve the right to errors in descriptions, appearance, functions, technical specifications, and dimensional drawings that arise from the ongoing improvement of our devices.

J-Smart Art

AUX-09/12/18/24JP



J-Smart Art units combine innovative construction with stunning design.

J-Smart ART air conditioners captivate with their refined, modern design. The sleek, elegant black casing perfectly complements any interior decor. The matte surface of the main body is paired with a luxurious, mirrored front panel. The minimalist, detail-sparing design is further enhanced by a hidden LED display, visible only when the air conditioner is turned on.



HEALTH



UV Sterilization



57°C Sterilization



Self-Cleaning Function



Mold Protection Function



High-Density Filter



Anti-bacterial Filter



PM2.5 Filter



Optional Air Filters

ECOLOGY



Refrigerant R32



Eco Mode



Standby Mode 0.3W

CONVENIENCE



Self-Diagnosis Function



24-Hour Timer



LED Display



Two-Way Drainage



Built-in Wi-Fi Module



Wireless Controller



Heating at -22°C

COMFORT



4D Airflow



Vertical Air Vane Movement



Horizontal Air Vane Movement



Anti-Cold-Air Function



Sleep Mode

COMFORT



I FEEL Function



TURBO Function



Automatic Mode



Cooling Mode



Heating Mode



8°C Heating Mode



Dry Mode



Fan Mode



Easy and Quick Installation

TECHNOLOGY



Inverter Technology



Drip Tray Heater for the Outdoor Unit*



Intelligent Defrosting



Anti-Corrosion Outdoor Unit Casing



Gold-Plated Fins of the Outdoor Unit



Gold-Plated Fins of the Indoor Unit



Hydrophilic Aluminum Fins



Super EMC



Automatic Restart



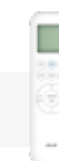
J-Smart Art

JP Series

AUX-09/12/18/24JP



Model		AUX-09JP	AUX-12JP	AUX-18JP	AUX-24JP	
Cooling Capacity	[kW]	2,70 (0,60 - 3,80)	3,50 (0,80 - 4,10)	5,30 (1,30 - 5,90)	7,20 (1,80 - 7,40)	
Heating Capacity	[kW]	3,00 (0,80 - 4,20)	3,80 (1,00 - 4,20)	5,60 (1,30 - 6,00)	7,20 (1,80 - 8,00)	
Power Supply	[V~,Hz,Ph]	220-240, 50, 1	220-240, 50, 1	220-240, 50, 1	220-240, 50, 1	
Operating Current	Cooling	[A]	3,80	5,60	7,50	10,00
	Heating	[A]	4,10	4,90	7,00	9,50
Energy Consumption	Cooling	[W]	800	1180	1580	2200
	Heating	[W]	850	1100	1550	2200
Maximum Current Consumption	[A]	9,5	9,5	12,0	16,0	
Maximum Power Consumption	[W]	1900	1900	2400	3400	
SEER / SCOP	-	6,20 / 4,00	6,19 / 4,03	7,00 / 4,19	6,53 / 4,09	
Energy Efficiency Class	Cooling	-	A++	A++	A++	A++
	Heating	-	A+	A+	A+	A+
Indoor Unit		AUX-09JP/I	AUX-12JP/I	AUX-18JP/I	AUX-24JP/I	
Airflow	[m³/h]	600	600	850	1300	
Sound Pressure Level	[dB(A)]	38/31/27/22/19	38/32/29/23/20	41/32/31/26/23	38/36/33/31/23	
Sound Power Level	[dB(A)]	44/40/36/31/24	44/40/36/32/23	37/43/40/35/30	48/43/40/37/28	
Indoor Unit Dimensions ¹⁾	[mm]	806 x 291 x 220	806 x 291 x 220	951 x 316 x 234	1151 x 329 x 245	
Indoor Unit Weight ¹⁾	[kg]	8,5	8,5	11,5	14,0	
Outdoor Unit		AUX-09JP/O	AUX-12JP/O	AUX-18JP/O	AUX-24JP/O	
Refrigerant	Type	-	R32	R32	R32	R32
	Factory Charge (up to 5m)	[g]	560	560	1030	1300
	Additional Charge	[g/m]	15	15	25	25
Sound Pressure Level	[dB(A)]	55	56	56	58	
Sound Power Level	[dB(A)]	61	62	62	66	
Outdoor Unit Dimensions	[mm]	708 x 538 x 283	708 x 538 x 283	785 x 555 x 300	900 x 700 x 350	
Outdoor Unit Weight	[kg]	22,5	22,5	28,0	49,0	
Outdoor Unit Operation (External Temperature)	Cooling	[°C]	-10	-10	-10	-10
	Heating	[°C]	-22	-22	-22	-22
Pipe Connections (Diameter)	Liquid	[inch]	1/4	1/4	1/4	1/4
	Gas	[inch]	3/8	3/8	1/2	5/8
	Condensate ²⁾	[mm]	16	16	16	18
Maximum Piping Length	[m]	20	20	25	25	
Maximum Height Difference	[m]	10	10	15	15	



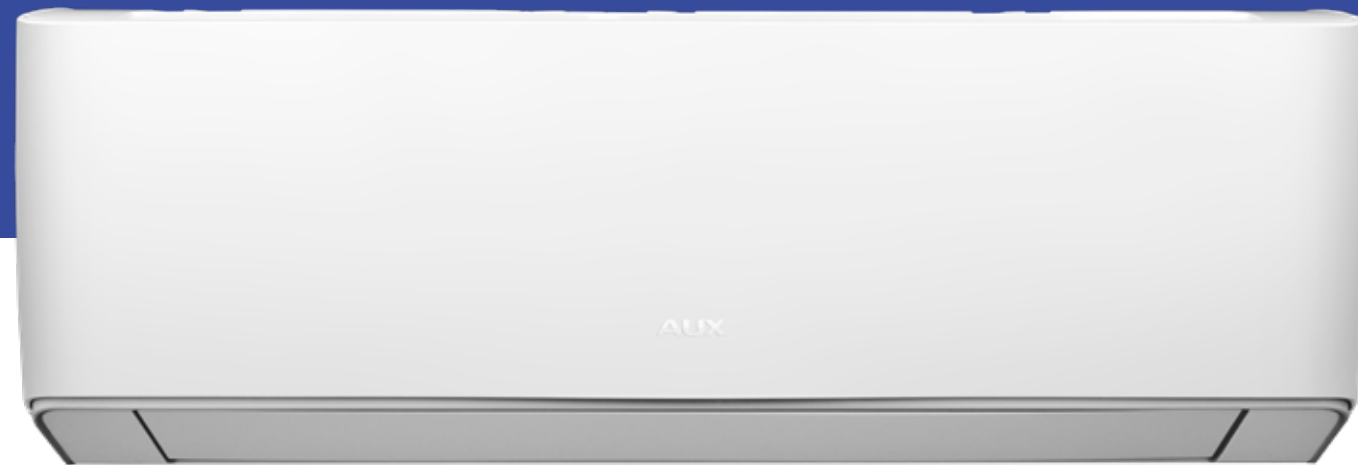
Wireless Controller Type T



Air conditioning devices contain fluorinated greenhouse gases R32.
We reserve the right to errors in descriptions, appearance, functions, technical specifications, and dimensional drawings that arise from the ongoing improvement of our devices.

Halo

AUX-09/12/18/24HA



Halo combines advanced technologies in a stylish, elegant casing.

The slim design houses a range of innovative solutions ensuring reliability, comfort, and safety. Anti-corrosion gold fins, 4D multi-directional airflow, a built-in Wi-Fi control module, an advanced ionizer, and patented self-cleaning technology are just some of the advantages of the Halo series air conditioners.

R32

UV

A++

COOLING

A+

HEATING

AIR CONDITIONER

5

YEARS OF WARRANTY

COMPRESSOR

10

YEARS OF WARRANTY



HEALTH

- UV Sterilization
- Cold Plasma Ionizer*
- 57°C Sterilization
- Self-Cleaning Function
- Mold Protection Function
- High-Density Filter
- Antibacterial Filter
- PM2.5 Filter
- Optional Air Filters

ECOLOGY

- Refrigerant R32
- Eco Mode
- Standby Mode 0.3W**

CONVENIENCE

- Self-Diagnosis Function
- 24-Hour Timer
- LED Display
- Two-Way Drainage
- Built-in Wi-Fi Module
- Wireless Controller
- Heating at -20°C

COMFORT

- 4D Airflow
- Vertical Air Vane Movement
- Horizontal Air Vane Movement
- Anti-Cold-Air Function
- Sleep Mode

COMFORT

- I FEEL Function
- TURBO Function
- Automatic Mode
- Cooling Mode
- Heating Mode
- Dry Mode
- Fan Mode

TECHNOLOGY

- DC Inverter
- Intelligent Defrosting
- Anti-Corrosion Outdoor Unit Casing
- Gold-Plated Fins of the Outdoor Unit
- Gold-Plated Fins of the Indoor Unit
- Hydrophilic Aluminum Fins
- Super EMC
- Automatic Restart

* depending on the version



Halo

HA Series

AUX-09/12/18/24HA



Model		AUX-09HA	AUX-12HA	AUX-18HA	AUX-24HA	
Cooling Capacity	[kW]	2,75	3,60	5,50	7,30	
Heating Capacity	[kW]	3,10	3,80	5,90	7,30	
Power Supply	[V~,Hz,Ph]	220-240, 50, 1	220-240, 50, 1	220-240, 50, 1	220-240, 50, 1	
Operating Current	Cooling	[A]	4,1	6,9	7,5	12,5
	Heating	[A]	5,5	5,9	9,7	11,5
Energy Consumption	Cooling	[W]	930	1130	1730	2300
	Heating	[W]	1220	1240	1890	2500
Maximum Current Consumption	[A]	8,0	9,5	12,0	16,0	
Maximum Power Consumption	[W]	1500	1900	2900	3700	
SEER / SCOP	-	6,16 / 4,17	6,12 / 4,14	6,57 / 4,02	6,89 / 4,11	
Energy Efficiency Class	Cooling	-	A++	A++	A++	A++
	Heating	-	A+	A+	A+	A+
Indoor Unit		AUX-09HA/I	AUX-12HA/I	AUX-18HA/I	AUX-24HA/I	
Airflow	[m³/h]	600	600	850	1150	
Sound Pressure Level	[dB(A)]	38/31/27/22/19	38/32/29/23/20	41/32/31/26/23	38/36/33/31/23	
Sound Power Level	[dB(A)]	44/40/36/31/24	44/40/36/32/23	37/43/40/35/30	48/43/40/37/28	
Indoor Unit Dimensions	[mm]	788 x 292 x 198	788 x 292 x 198	940 x 316 x 224	1121 x 329 x 231	
Indoor Unit Weight	[kg]	8,0	8,5	12,0	14,0	
Outdoor Unit		AUX-09HA/O	AUX-12HA/O	AUX-18HA/O	AUX-24HA/O	
Refrigerant	Type	-	R32	R32	R32	R32
	Factory Charge (up to 5m)	[g]	530	600	1280	1440
	Additional Charge	[g/m]	20	20	20	30
Sound Pressure Level	[dB(A)]	55	56	56	58	
Sound Power Level	[dB(A)]	61	62	62	66	
Outdoor Unit Dimensions	[mm]	649 x 456 x 253	708 x 538 x 283	785 x 555 x 300	900 x 700 x 350	
Outdoor Unit Weight	[kg]	25,0	25,0	35,0	45,0	
Outdoor Unit Operation (External Temperature)	Cooling	[°C]	-10	-10	-10	-10
	Heating	[°C]	-20	-20	-20	-20
Pipe Connections (Diameter)	Liquid	[inch]	1/4	1/4	1/4	1/4
	Gas	[inch]	3/8	3/8	1/2	5/8
	Condensate	[mm]	16	16	16	18
Maximum Piping Length	[m]	20	20	20	25	
Maximum Height Difference	[m]	10	10	10	15	



Wireless Controller Type T

Wi-Fi Control Module 2.0

Air conditioning devices contain fluorinated greenhouse gases R32. We reserve the right to errors in descriptions, appearance, functions, technical specifications, and dimensional drawings that arise from the ongoing improvement of our devices.

Halo Deluxe

AUX-09/12/18/24HE



Halo Deluxe air conditioners stand out with meticulously crafted design in every detail.

The luxurious black casing with a mirrored front panel is perfect for modern interiors. The stylish design is paired with excellent performance, ensuring reliability and energy efficiency. The wide range of functions—such as Wi-Fi control, a timer, 4D multi-directional airflow, and sleep mode—provides the highest level of user comfort.



HEALTH



UV Sterilization



Cold Plasma Ionizer*



57°C Sterilization



Self-Cleaning Function



Mold Protection Function



High-Density Filter



Antibacterial Filter



PM2.5 Filter



Optional Air Filters



Refrigerant R32



Eco Mode



Standby Mode 0.3W

ECOLOGY

CONVENIENCE



Self-Diagnosis Function



24-Hour Timer



LED Display



Two-Way Drainage



Built-in Wi-Fi Module



Wireless Controller



Heating at -20°C

Self-Diagnosis Function

24-Hour Timer

LED Display

Two-Way Drainage

Built-in Wi-Fi Module

Wireless Controller

Heating at -20°C

COMFORT



4D Airflow



Vertical Air Vane Movement



Horizontal Air Vane Movement



Anti-Cold-Air Function



Sleep Mode

COMFORT



I FEEL Function



TURBO Function



Automatic Mode



Cooling Mode



Heating Mode



Dry Mode



Fan Mode

TECHNOLOGY



Inverter Technology



Intelligent Defrosting



Anti-Corrosion Outdoor Unit Casing



Gold-Plated Fins of the Outdoor Unit



Gold-Plated Fins of the Indoor Unit



Hydrophilic Aluminum Fins



Super EMC



Automatic Restart

* depending on the version



Halo Deluxe

HE Series

AUX-09/12/18/24HE



Model		AUX-09HE	AUX-12HE	AUX-18HE	AUX-24HE	
Cooling Capacity	[kW]	2,75	3,60	5,50	7,30	
Heating Capacity	[kW]	3,10	3,80	5,90	7,30	
Power Supply	[V~,Hz,Ph]	220-240, 50, 1	220-240, 50, 1	220-240, 50, 1	220-240, 50, 1	
Operating Current	Cooling	[A]	4,1	6,9	7,5	12,5
	Heating	[A]	5,5	5,9	9,7	11,5
Energy Consumption	Cooling	[W]	930	1130	1730	2300
	Heating	[W]	1220	1240	1890	2500
Maximum Current Consumption	[A]	8,0	9,5	12,0	16,0	
Maximum Power Consumption	[W]	1500	1900	2900	3700	
SEER / SCOP	-	6,16 / 4,17	6,12 / 4,14	6,57 / 4,02	6,89 / 4,11	
Energy Efficiency Class	Cooling	-	A++	A++	A++	A++
	Heating	-	A+	A+	A+	A+
Indoor Unit		AUX-09HE/I	AUX-12HE/I	AUX-18HE/I	AUX-24HE/I	
Airflow	[m³/h]	600	600	850	1150	
Sound Pressure Level	[dB(A)]	38/31/27/22/19	38/32/29/23/20	41/32/31/26/23	38/36/33/31/23	
Sound Power Level	[dB(A)]	44/40/36/31/24	44/40/36/32/23	37/43/40/35/30	48/43/40/37/28	
Indoor Unit Dimensions	[mm]	788 x 292 x 200	788 x 292 x 200	936 x 316 x 224	1121 x 329 x 232	
Indoor Unit Weight	[kg]	8,0	8,5	12,0	14,0	
Outdoor Unit		AUX-09HE/O	AUX-12HE/O	AUX-18HE/O	AUX-24HE/O	
Refrigerant	Type	-	R32	R32	R32	R32
	Factory Charge (up to 5m)	[g]	530	600	1280	1440
	Additional Charge	[g/m]	20	20	20	30
Sound Pressure Level	[dB(A)]	55	56	56	58	
Sound Power Level	[dB(A)]	61	62	62	66	
Outdoor Unit Dimensions	[mm]	649 x 456 x 253	708 x 538 x 283	785 x 555 x 300	900 x 700 x 350	
Outdoor Unit Weight	[kg]	25,0	25,0	35,0	45,0	
Outdoor Unit Operation (External Temperature)	Cooling	[°C]	-10	-10	-10	-10
	Heating	[°C]	-20	-20	-20	-20
Pipe Connections (Diameter)	Liquid	[inch]	1/4	1/4	1/4	1/4
	Gas	[inch]	3/8	3/8	1/2	5/8
	Condensate	[mm]	16	16	16	18
Maximum Piping Length	[m]	20	20	20	25	
Maximum Height Difference	[m]	10	10	10	15	



Wireless Controller Type T



Air conditioning devices contain fluorinated greenhouse gases R32. We reserve the right to errors in descriptions, appearance, functions, technical specifications, and dimensional drawings that arise from the ongoing improvement of our devices.

Freedom Plus Series 3

AUX-09/12/18/24F3H



Freedom Plus Series 3 air conditioners are economical units with modern styling and optimal performance parameters.

Inverter technology and an A++ energy rating ensure high energy efficiency and reliability. As a basic model in the AUX residential lineup, the Freedom Plus Series 3 units are surprising in their range of features—offering self-cleaning, turbo mode, a timer, the intelligent “I FEEL” temperature reading function, an ionizer, and Wi-Fi control.



HEALTH						ECOLOGY					
UV Sterilization	57°C Sterilization	Self-Cleaning Function	Mold Protection Function	Honeycomb Structure Filter	Antibacterial Filter	Optional Air Filters	Refrigerant R32	Standby Mode 0.3W			
CONVENIENCE						COMFORT					
Self-Diagnosis Function	24-Hour Timer	LED Display	Two-Way Drainage	Built-in Wi-Fi Module	Wireless Controller	Heating at -15°C	4D Airflow	Vertical Air Vane Movement	Horizontal Air Vane Movement	Anti-Cold-Air Function	Sleep Mode
COMFORT											
I FEEL Function	TURBO Function	Automatic Mode	Cooling Mode	Heating Mode	Dry Mode	Fan Mode					
TECHNOLOGY											
DC INVERTER	Intelligent Defrosting	Anti-Corrosion Outdoor Unit Casing	Hydrophilic Aluminum Fins	SUPER EMC	Automatic Restart						



Freedom Plus Series 3

F3H Series

AUX-09/12/18/24F3H



Model		AUX-09F3H	AUX-12F3H	AUX-18F3H	AUX-24F3H	
Cooling Capacity	[kW]	2,65 (0,60 - 3,10)	3,40 (0,80 - 3,80)	5,10 (1,30 - 5,30)	7,30 (1,80 - 7,40)	
Heating Capacity	[kW]	2,70 (0,80 - 3,40)	3,50 (0,80 - 4,00)	5,20 (1,30 - 5,30)	7,30 (1,80 - 8,00)	
Power Supply	[V~,Hz,Ph]	220-240, 50, 1	220-240, 50, 1	220-240, 50, 1	220-240, 50, 1	
Operating Current	Cooling	[A]	3,50 (0,6 - 8,5)	5,90 (0,8 - 6,6)	7,40 (1,2 - 7,9)	10,00 (1,0 - 12,0)
	Heating	[A]	3,10 (0,8 - 8,5)	4,10 (0,8 - 6,1)	6,20 (1,0 - 6,6)	9,50 (1,0 - 11,0)
Energy Consumption	Cooling	[W]	810 (100 - 1600)	1340 (200 - 1500)	1670 (280 - 1800)	2200 (230 - 2760)
	Heating	[W]	720 (300 - 1500)	950 (200 - 1400)	1400 (220 - 1500)	2200 (230 - 2530)
Maximum Current Consumption	[A]	8,5	9,0	9,0	16,0	
Maximum Power Consumption	[W]	1600	1600	1900	3400	
SEER / SCOP	-	6,50 / 4,00	6,20 / 4,00	6,70 / 4,00	6,53 / 4,09	
Energy Efficiency Class	Cooling	-	A++	A++	A++	A++
	Heating	-	A+	A+	A+	A+

Indoor Unit		AUX-09F3H/I	AUX-12F3H/I	AUX-18F3H/I	AUX-24F3H/I
Airflow	[m³/h]	600/530/480/420	600/530/480/420	850/770/680/600	1300/1500/1010/870
Sound Power Level	[dB(A)]	53	54	57	63
Indoor Unit Dimensions [§]	[mm]	750 x 285 x 200	750 x 285 x 200	900 x 310 x 225	1082 x 330 x 233
Indoor Unit Weight [§]	[kg]	7,5	7,5	10,0	12,5

Outdoor Unit		AUX-09F3H/O	AUX-12F3H/O	AUX-18F3H/O	AUX-24F3H/O	
Refrigerant	Type	-	R32	R32	R32	R32
	Factory Charge (up to 5m)	[g]	570	570	540	1300
	Additional Charge	[g/m]	20	20	25	25
Sound Power Level	[dB(A)]	61	61	62	66	
Outdoor Unit Dimensions	[mm]	650 x 455 x 244	650 x 455 x 244	709 x 537 x 280	900 x 700 x 350	
Outdoor Unit Weight	[kg]	18,5	18,5	23,0	39,0	
Outdoor Unit Operation (External Temperature)	Cooling	[°C]	-10	-10	-10	-10
	Heating	[°C]	-15	-15	-15	-15
Pipe Connections (Diameter)	Liquid	[inch]	1/4	1/4	1/4	1/4
	Gas	[inch]	3/8	3/8	1/2	5/8
Maximum Piping Length	[m]	20	20	25	25	
Maximum Height Difference	[m]	10	10	15	15	



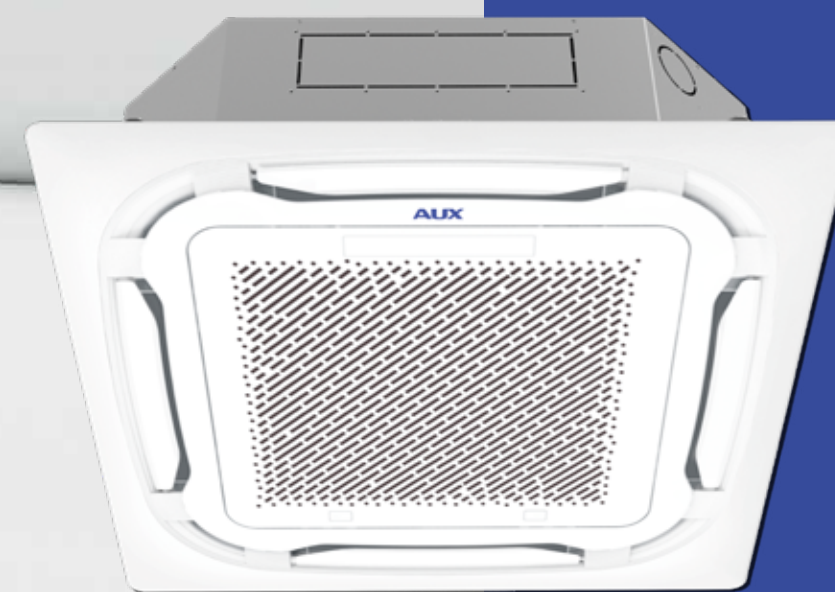
Wireless Controller Type I

Wi-Fi Control Module 2.0

Air conditioning devices contain fluorinated greenhouse gases R32.

We reserve the right to errors in descriptions, appearance, functions, technical specifications, and dimensional drawings that arise from the ongoing improvement of our devices.

AUX
AIR CONDITIONER



MULTI
Air Conditioners

Summary of Functions

● depending on the version



	Freedom	J-Smart	J-Smart Art	Q-Smart Premium
HEALTH				
Jonizator Cold Plasma	●	●	●	●
Self-Cleaning Function	●	●	●	●
Mold Protection Function	●	●	●	●
Antibacterial Filter		●	●	●
High-Density Filter		●	●	●
PM2.5 Filter		●	●	●
Honeycomb Filter	●			
Washable Air Filter				
Durable Air Filter				
Optional Air Filters	●	●	●	●
CONVENIENCE				
Self-Diagnosis Function	●	●	●	●
24-Hour Timer	●	●	●	●
LED Display	●	●	●	●
Two-Way Condensate Drainage	●	●	●	●
Built-in Wi-Fi Module	●	●	●	●
Wireless Controller	●	●	●	●
Wired Controller				
ECOLOGY				
Refrigerant R32	●	●	●	●
Standby Mode 0.3W		●	●	●

We reserve the right to errors in descriptions, appearance, functions, technical specifications, and dimensional drawings due to the continuous improvement of our devices.



	Q-Smart Premium Grey	Floor-Ceiling Units	Cassette Units	Duct Units	Console
HEALTH					
	●				
	●				
	●				
	●				
	●				
	●				
			●		
		●		●	●
	●				
CONVENIENCE					
	●				
	●				
	●				
	●				
	●				
	●	●	●		●
				●	
ECOLOGY					
	●	●	●	●	●
	●				

We reserve the right to errors in descriptions, appearance, functions, technical specifications, and dimensional drawings due to the continuous improvement of our devices.

Summary of Functions

● depending on the version



COMFORT					
		Freedom	J-Smart	J-Smart Art	Q-Smart Premium
4D Airflow		●	●	●	●
Vertical Air Vane Movement		●	●	●	●
Horizontal Air Vane Movement		●			
Anti-Cold-Air Function		●	●	●	●
Sleep Mode		●	●	●	●
I FEEL Function		●	●	●	●
TURBO Function	Turbo	●	●	●	●
Automatic Mode	AUTO	●	●	●	●
Cooling Mode		●	●	●	●
Heating Mode		●	●	●	●
Fast Cooling / Heating					
Dehumidification Mode		●	●	●	●
Fan Mode		●	●	●	●
Easy and Quick Installation			●	●	●



We reserve the right to errors in descriptions, appearance, functions, technical specifications, and dimensional drawings due to the continuous improvement of our devices.



	Q-Smart Premium Grey	Floor-Ceiling Units	Cassette Units	Duct Units	Console
	●				
	●				
	●				
	●				
	●				
	●				
	●				
	●	●	●	●	●
	●	●	●	●	●
	●	●	●	●	●
	●	●	●	●	●
	●	●	●	●	●
	●	●	●	●	●
	●	●	●	●	●



We reserve the right to errors in descriptions, appearance, functions, technical specifications, and dimensional drawings due to the continuous improvement of our devices.

Summary of Functions

● depending on the version



TECHNOLOGY					
Inverter Technology		●	●	●	●
Intelligent Defrosting		●	●	●	●
Gold-Plated Fins of the Outdoor Unit			●	●	●
Gold-Plated Fins of the Indoor Unit			●	●	●
Hydrophilic Aluminum Blades		●	●	●	●
Super EMC		●	●	●	●
Automatic Restart		●	●	●	●
Cooling at Low Temperatures					



TECHNOLOGY				
	●	●	●	●
	●	●	●	●
	●			
	●			
	●	●	●	●
	●			
	●	●	●	●
		●	●	●





Function
Descriptions

ECO-FRIENDLY REFRIGERANT R32

R32 Eco-Friendly, Safe, Highly Efficient

All AUX air conditioning units from the MULTI series operate using the latest eco-friendly refrigerant R32, which, compared to the commonly used R410A, offers greater efficiency and a lower global warming potential. It also does not contribute to ozone layer depletion.

CARING FOR OUR PLANET



High Energy Efficiency



A++

A+

Guarantee of Energy-Efficient Operation

Thanks to the use of a high-efficiency DC inverter compressor, adjustable fan motor, and advanced 180° sinusoidal vector control technology, AUX commercial systems achieve high energy efficiency ratings, ensuring reliable and effective operation with low energy consumption. All MULTI series air conditioners have an energy efficiency class of A++ in cooling mode and A+ in heating mode.

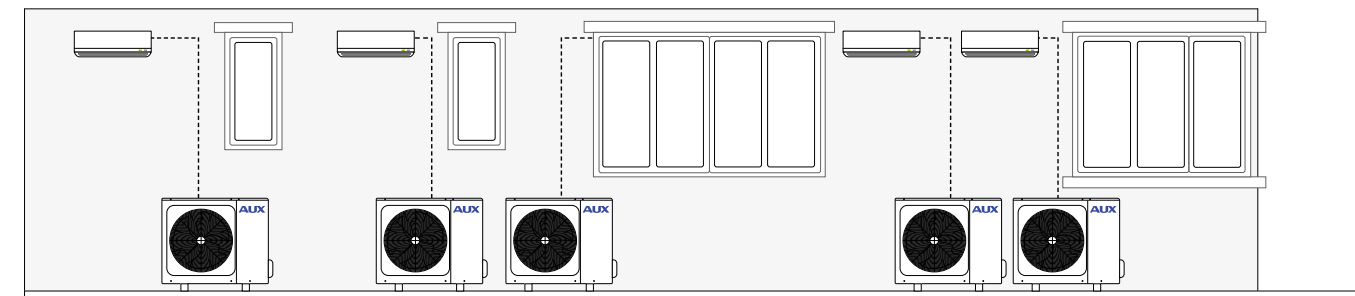
MULTI SPLIT SYSTEMS

SPACE SAVING AND HIGH FLEXIBILITY

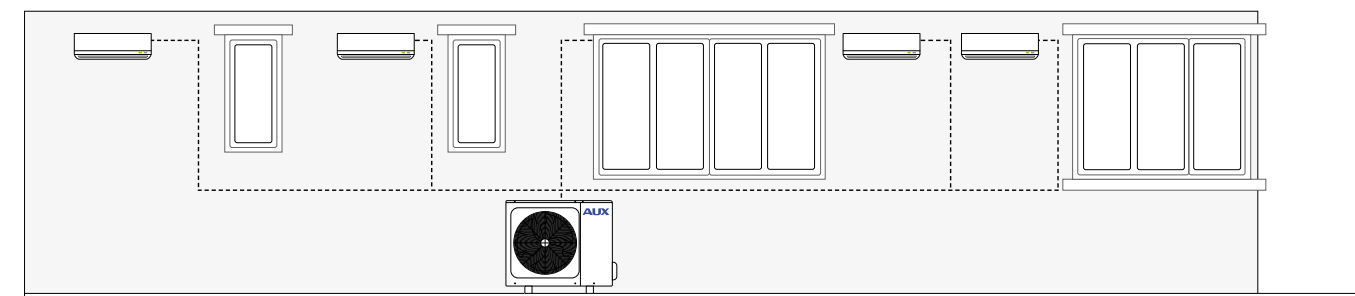
The AUX multi-split system allows for the connection of 2 to 5 indoor units to a single outdoor unit. This reduces the number of necessary outdoor units compared to single systems, resulting in significant space savings on building facades, roofs, and balconies. Additionally, the devices do not need to be installed simultaneously— the system can be expanded over time with new indoor units while maintaining the appropriate performance parameters of each component in the air conditioning system.

Flexible Air Conditioning Solutions for Multiple Rooms

The AUX multi-split system allows for the installation of 2 to 5 indoor units connected to a single outdoor unit. There are 6 models of outdoor units available, with cooling capacities ranging from 4.1 to 12.0 kW. These devices operate using the eco-friendly refrigerant R32 and modern inverter technology, ensuring reliability and energy efficiency. They provide stable operation across a wide range of external temperatures, from -15°C to 52°C in cooling mode and from -22°C to 24°C in heating mode. The system allows for refrigerant installations with a total length of up to 80 meters, depending on the capacity of the outdoor unit, and height differences of up to 15 meters.



Five Indoor Units in a Single Split System




Five Indoor Units in a Multi Split System

Wide Selection of Indoor Units


The AUX multi device lineup features 9 types of indoor units, including cassette, ducted, floor-ceiling, console, and three models of stylish wall-mounted units (Freedom, J-Smart, J-Smart ART, Q-Smart Premium, Q-Smart Premium Grey). They are available in various cooling

capacities, ranging from 2.05 to 7.03 kW. This wide selection allows for optimal matching of units to the size and character of the space, as well as the users' needs.




Wall-Mounted Units


Freedom, J-Smart, J-Smart Art, Q-Smart Premium, Q-Smart Premium Grey




Cassette Units



Ducted Units



Floor-Ceiling Units



Console Units

MULTI SPLIT SYSTEMS

HIGH-QUALITY INVERTER COMPRESSOR

Guarantee of Energy Efficiency and Reliability

The inverter rotary compressor used in AUX air conditioners guarantees reliable and efficient operation, along with the highest energy efficiency standards. It also ensures low operating costs and minimal noise levels. The durable, high-quality materials used in the compressor's construction contribute to its long-lasting and trouble-free performance.



RELIABLE OPERATION EVEN IN UNFAVORABLE OUTDOOR CONDITIONS

Drip Tray Heater for the Outdoor Unit

Efficient Operation in Heating Mode

The outdoor units of the AUX multi-split air conditioner series are equipped with drip tray heaters, allowing for efficient operation in heating mode even in severe frosts, preventing the heat exchanger from freezing.



Anti-Corrosion Casing for the Outdoor Unit

Extended Lifespan and Aesthetic Appeal

The outdoor unit's casing is coated with multiple protective layers that shield it from insects, rodents, moisture, dust, and fire. This ensures a long lifespan for the device and maintains its aesthetic appearance, even after years of exposure to harsh environmental conditions.



Wide Operating Range

AUX multi-split air conditioning systems are characterized by reliable, stable operation even in extreme ambient temperatures. Thanks to the use of modern technologies and high-quality components, AUX devices can operate within a wide range of external temperatures, from -15°C to 52°C in cooling mode and from -20°C to 24°C in heating mode, ensuring a high level of comfort in conditioned spaces year-round.

MULTI SPLIT SYSTEMS

Efficient Operation in Low Ambient Temperature

The air conditioner activates the defrosting mode only when necessary and only for the time required to defrost the heat exchanger, allowing for almost continuous operation in heating mode. The intelligent defrosting system used in AUX air conditioners improves energy efficiency by 5% and increases heating efficiency by up to 20% in low outdoor temperatures.

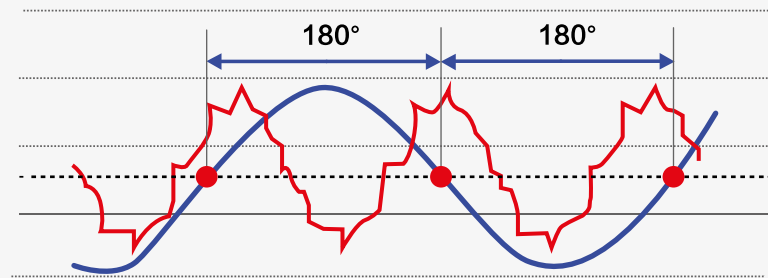
INTELLIGENT DEFROSTING



180° Sine Wave Control

Smooth and Efficient Compressor Operation

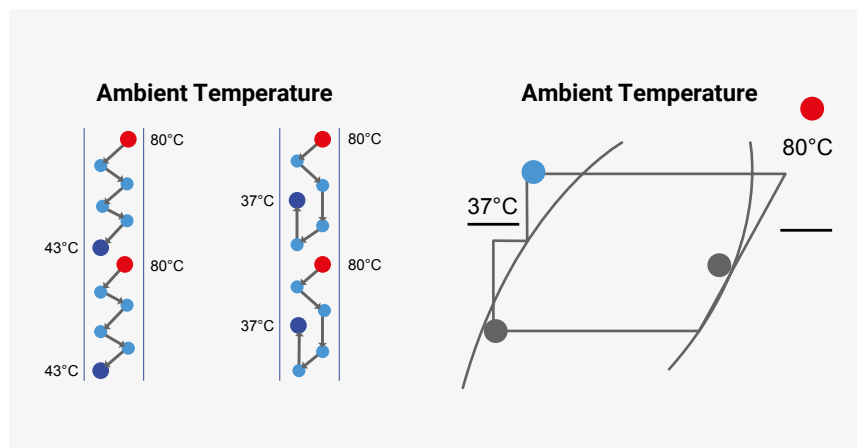
The DC inverter compressor uses 180° sine wave control. This technique ensures smooth operation of the compressor motor, significantly enhancing its efficiency.



Optimized Piping Design

Enhanced Cooling Performance

The design provides additional cooling and enhances cooling performance by separating the refrigerant inlet and outlet.



Outdoor Units

MULTI Split

AUX-M2-(14/18)LCLH, AUX-M3-21LCLH

Model		AUX-M2-14LCLH	AUX-M2-18LCLH	AUX-M3-21LCLH	
Maximum Number of Indoor Units		2	2	3	
Cooling Capacity	[kW]	4,10 (1,80 - 4,51)	5,30 (2,00 - 5,83)	6,20 (2,20 - 6,71)	
	[Btu/h]	13989 (6142 - 15388)	18084 (6824 - 19892)	21154 (7506 - 22895)	
Heating Capacity	[kW]	4,80 (2,05 - 5,28)	5,60 (2,21 - 6,16)	6,60 (2,39 - 7,26)	
	[Btu/h]	15354 (6995 - 18015)	19107 (7541 - 21017)	22519 (8155 - 24771)	
Power Supply	[V~,Hz,Ph]	220-240, 50, 1	220-240, 50, 1	220-240, 50, 1	
Power Consumption in Cooling Mode	[W]	1240 (198-2100)	1640 (280 - 2300)	1920 (350 - 2800)	
Power Consumption in Heating Mode	[W]	1150 (198-2100)	1480 (280 - 2300)	1780 (350 - 2800)	
Current Consumption (Cooling and Heating)	[A]	5,39 / 5,00	7,13 / 6,43	8,30 / 7,8	
Maximum Current Consumption	[A]	12,0	13,0	14,0	
Maximum Power Consumption	[kW]	2,76	3,00	3,00	
SEER / SCOP	-	6,15 / 4,12	6,13 / 4,09	6,13 / 4,19	
EER / COP	-	3,31 / 3,91	3,23 / 3,78	3,23 / 3,71	
Energy Efficiency Class	Cooling	-	A++	A++	
	Heating	-	A+	A+	
Compressor Type	-	rotacyjna	rotacyjna	rotacyjna	
Airflow	[m³/h]	2600	2600	4100	
Sound Pressure Level	[dB(A)]	53	54	56	
Sound Power Level	[dB(A)]	65	65	66	
Unit Dimensions (W x D x H)	[mm]	785 x 300 x 555	785 x 300 x 555	900 x 350 x 700	
Unit Weight (Net)	[kg]	30,0	30,0	41,5	
Refrigerant	Type	-	R32	R32	
	Factory Charge (up to 7.5m)	[kg]	1,00	1,03	1,15
	Additional Charge	[g/m]	25	25	25
Pipe Connections (Diameter)	Liquid Pipe	[mm(inch)]	2 x 6,35 (1/4)	2 x 6,35 (1/4)	3 x 6,35 (1/4)
	Gas Pipe	[mm(inch)]	2 x 9,52 (3/8)	2 x 9,52 (3/8)	3 x 9,52 (3/8)
Maximum Installation Length	Total Installation Length	[m]	30	30	50
	For a Single Indoor Unit	[m]	20	20	25
Maximum Height Difference	Between the Outdoor Unit and Indoor Unit	[m]	10	10	10
	Between Indoor Units	[m]	10	10	10
Outdoor Unit Operation (Ambient Temperature)	Heating	[°C]	-15~52	-15~52	-15~52
	Cooling	[°C]	-22~24	-22~24	-22~24



Air conditioning units contain fluorinated greenhouse gases R32.

We reserve the right to errors in descriptions, appearance, functions, technical specifications, and dimensional drawings due to the continuous improvement of our devices.

Outdoor Units

MULTI Split

AUX-M3-27LCLH, AUX-M4-(28/36)LCLH, AUX-M5-42LCLH

Model		AUX-M3-27LCLH	AUX-M4-28LCLH	AUX-M4-36LCLH	AUX-M5-42LCLH	
Maximum Number of Indoor Units		3	4	4	5	
Cooling Capacity	[kW]	7,90 (2,30 - 8,69)	8,20 (2,50 - 10,26)	10,50 (2,5 - 11,00)	12,00 (2,77 - 12,70)	
	[Btu/h]	26955 (7848 - 29650)	27978 (8530 - 35007)	35826 (8530 - 37532)	40944 (9451 - 43332)	
Heating Capacity	[kW]	8,20 (2,45 - 9,02)	8,79 (2,67 - 10,14)	11,00 (2,67 - 11,20)	13,00 (2,96 - 13,10)	
	[Btu/h]	27978 (8359 - 30776)	29991 (9110 - 34598)	37532 (9110 - 38214)	44356 (10100 - 44800)	
Power Supply	[V~,Hz,Ph]	220-240, 50, 1	220-240, 50, 1	220-240, 50, 1	220-240, 50, 1	
Power Consumption in Cooling Mode	[W]	2440 (560 - 3400)	2500 (270 - 3340)	3950 (680 - 4930)	4450 (750 - 5450)	
Power Consumption in Heating Mode	[W]	2210 (560 - 3400)	2200 (340 - 3100)	3150 (530 - 3850)	3750 (600 - 4350)	
Current Consumption (Cooling and Heating)	[A]	10,61 / 9,61	10,90 / 9,80	17,50 / 13,96	19,72 / 16,62	
Maximum Current Consumption	[A]	16,5	19,0	23,5	24,5	
Maximum Power Consumption	[kW]	3,8	4,3	5,3	5,6	
SEER / SCOP	-	6,19 / 4,08	/	6,15 / 4,12	6,14 / 4,04	
EER / COP	-	3,23 / 3,71	3,28 / 4,00	2,66 / 3,49	2,70 / 3,47	
Energy Efficiency Class	Cooling	-	A++	A++	A++	
	Heating	-	A+	A+	A+	
Compressor Type	-	rotacyjna	rotacyjna	rotacyjna	rotacyjna	
Airflow	[m³/h]	4100	4000	4000	4200	
Sound Pressure Level	[dB(A)]	57	59	61	61	
Sound Power Level	[dB(A)]	67	70	70	70	
Unit Dimensions (W x D x H)	[mm]	900 x 350 x 700	985 x 395 x 808	985 x 395 x 808	985 x 395 x 808	
Unit Weight (Net)	[kg]	44,5	65,5	74,0	75,0	
Refrigerant	Type	-	R32	R32	R32	
	Factory Charge (up to 7.5m)	[kg]	1,45	2,05	2,30	2,30
	Additional Charge	[g/m]	25	15	25	25
Pipe Connections (Diameter)	Liquid Pipe	[mm(inch)]	3 x 6,35 (1/4)	4 x 6,35 (1/4)	4 x 6,35 (1/4)	5 x 6,35 (1/4)
	Gas Pipe	[mm(inch)]	3 x 9,52 (3/8)	4 x 9,52 (3/8)	4 x 9,52 (3/8)	5 x 9,52 (3/8)
Maximum Installation Length	Total Installation Length	[m]	50	70	70	70
	For a Single Indoor Unit	[m]	25	30	30	30
Maximum Height Difference	Between the Outdoor Unit and Indoor Unit	[m]	10	10	10	10
	Between Indoor Units	[m]	10	10	10	10
Outdoor Unit Operation (Ambient Temperature)	Heating	[°C]	-15~52	-15~52	-15~52	-15~52
	Cooling	[°C]	-22~24	-22~24	-22~24	-22~24



Air conditioning units contain fluorinated greenhouse gases R32.

We reserve the right to errors in descriptions, appearance, functions, technical specifications, and dimensional drawings due to the continuous improvement of our devices.

MULTI Combination Tables

Outdoor Units		Suggested Sets	
AUX-M2-14LCLH	1 Unit	2 Units	
1 for 2	7	7+7	
	9	7+9	
	12	9+9	
	18	-	

Outdoor Units		Suggested Sets	
AUX-M2-18LCLH	1 Unit	2 Units	
1 for 2	7	7+7	9+12
	9	7+9	-
	12	7+12	-
	18	9+9	-

Outdoor Units		Suggested Sets		
AUX-M3-21LCLH	1 Unit	2 Units		3 Units
1 for 3	18	7+7	9+12	7+7+7
	-	7+9	9+18	7+7+9
	-	7+12	12+12	7+7+12
	-	7+18	-	7+9+9
	-	9+9	-	9+9+9

Outdoor Units		Suggested Sets		
AUX-M3-27LCLH	1 Unit	2 Units		3 Units
1 for 3	18	7+7	9+18	7+7+7
	-	7+9	12+12	7+7+9
	-	7+12	12+18	7+7+12
	-	7+18	-	7+7+18
	-	9+9	-	7+9+9
	-	9+12	-	7+9+12

Outdoor Units		Suggested Sets			
AUX-M4-28LCLH	1 Unit	2 Units		3 Units	
1 for 4	24	7+7	9+18	7+7+7	7+12+12
	-	7+9	9+24	7+7+9	9+9+9
	-	7+12	12+12	7+7+12	9+9+12
	-	7+18	12+18	7+7+18	12+12+12
	-	7+24	12+24	7+9+9	-
	-	9+9	18+18	7+9+12	-
	-	9+12	-	7+9+18	-
4 Units					
	7+7+7+7	-	-	-	-
	7+7+7+9	-	-	-	-
	7+7+7+12	-	-	-	-
	7+7+9+9	-	-	-	-
	7+7+9+12	-	-	-	-
	7+9+9+9	-	-	-	-
	9+9+9+9	-	-	-	-

We reserve the right to errors in descriptions, appearance, functions, technical specifications, and dimensional drawings due to the continuous improvement of our devices.

MULTI Combination Tables

Outdoor Units		Suggested Sets			
AUX-M4-36LCLH	1 Unit	2 Units		3 Units	
1 for 4	24	7+7	9+18	7+7+7	7+9+18
	-	7+9	9+24	7+7+9	7+9+24
	-	7+12	12+12	7+7+12	7+12+12
	-	7+18	12+18	7+7+18	7+12+18
	-	7+24	12+24	7+7+24	7+12+24
	-	9+9	18+18	7+9+9	9+9+9
	-	9+12	-	7+9+12	9+9+12
4 Units					
	7+7+7+7	-	-	7+7+12+12	9+9+9+9
	7+7+7+9	-	-	7+7+12+18	9+9+9+12
	7+7+7+12	-	-	7+9+9+9	9+9+9+18
	7+7+7+18	-	-	7+9+9+12	9+9+12+12
	7+7+9+9	-	-	7+9+9+18	9+12+12+12
	7+7+9+12	-	-	7+9+12+18	-
	7+7+9+18	-	-	7+12+12+12	-

Outdoor Units		Suggested Sets				
AUX-M5-42LCLH	1 Unit	2 Units		3 Units		
1 for 5	24	7+7	9+24	7+7+7	7+9+24	9+9+24
	-	7+9	12+12	7+7+9	7+12+12	9+12+12
	-	7+12	12+18	7+7+12	7+12+18	9+12+18
	-	7+18	12+24	7+7+18	7+12+24	9+12+24
	-	7+24	18+18	7+7+24	7+18+18	9+18+18
	-	9+9	18+24	7+9+9	9+9+9	12+12+12
	-	9+12	-	7+9+12	9+9+12	12+12+18
	-	9+18	-	7+9+18	9+9+18	12+12+24
4 Units						
	7+7+7+7	-	7+7+9+24	-	7+9+12+24	-
	7+7+7+9	-	7+7+12+12	-	7+12+12+12	-
	7+7+7+12	-	7+7+12+18	-	9+9+9+9	-
	7+7+7+18	-	7+7+12+24	-	9+9+9+12	-
	7+7+7+24	-	7+9+9+9	-	9+9+9+18	-
	7+7+9+9	-	7+9+9+12	-	9+9+12+12	-
	7+7+9+12	-	7+9+12+18	-	9+12+12+12	-
	7+7+9+18	-	7+9+12+18	-	12+12+12+12	-
5 Units						
	7+7+7+7+7	-	7+7+7+12+18	-	7+9+9+9+12	9+9+12+12+12
	7+7+7+7+9	-	7+7+9+9+9	-	7+9+9+9+18	-
	7+7+7+7+12	-	7+7+9+9+12	-	7+9+9+12+12	-
	7+7+7+7+18	-	7+7+9+9+18	-	7+9+12+12+12	-
	7+7+7+9+9	-	7+7+9+12+12	-	9+9+9+9+9	-
	7+7+7+9+12	-	7+7+9+12+18	-	9+9+9+9+12	-
	7+7+7+9+18	-	7+7+12+12+12	-	9+9+9+9+18	-
	7+7+7+12+12	-	7+9+9+9+9	-	9+9+9+12+12	-

We reserve the right to errors in descriptions, appearance, functions, technical specifications, and dimensional drawings due to the continuous improvement of our devices.

Freedom

AUX-07/09/12/18/24FH



Freedom

FH Series

AUX-07/09/12/18/24FH



Model		AUX-07FH/I	AUX-09FH/I	AUX-12FH/I	AUX-18FH/I	AUX-24FH/I
Cooling Capacity	[kW]	2,05 (1,13 - 2,70)	2,58 (1,40 - 3,30)	3,50 (1,70 - 3,70)	5,00 (2,50 - 5,80)	6,50 (2,90 - 7,30)
	[Btu/h]	7165 (3855 - 9220)	9000 (4780 - 11260)	12285 (5800 - 12625)	17747 (8530 - 19790)	23986 (9895 - 24908)
Heating Capacity	[kW]	2,15 (0,98 - 2,50)	2,70 (1,20 - 3,00)	3,50 (1,50 - 3,70)	5,37 (2,25 - 5,80)	6,50 (2,10 - 8,00)
	[Btu/h]	7510(3340-8530)	9215 (4095 - 10240)	12625 (5120 - 12625)	18085 (7680 - 19790)	24054 (7165 - 27296)
Power Supply	[V~,Hz,Ph]	220-240, 50, 1	220-240, 50, 1	220-240, 50, 1	220-240, 50, 1	220-240, 50, 1
Power Consumption in Cooling Mode	[W]	40 (12 - 68)	40 (12 - 68)	40 (12 - 68)	63 (16 - 88)	63 (16 - 88)
Power Consumption in Heating Mode	[W]	40 (12 - 68)	40 (12 - 68)	40 (12 - 68)	63 (16 - 88)	63 (16 - 88)
Fan Motor Power	[W]	12	12	12	30	50
Fan Speed (High)	[rpm]	1150	1150	1150	1330	1230
Airflow	[m3/h]	600	600	600	850	1150
Sound Pressure Level	[dB(A)]	32/29/26/22/20	32/29/26/22/20	34/30/28/23/20	40/32/29/26/22	38/35/32/30/23
Sound Power Level	[dB(A)]	41/37/33/29/22	41/37/33/29/22	42/38/35/32/27	46/42/38/34/26	46/42/39/35/25
Unit Dimensions	[mm]	749 x 201 x 285	749 x 201 x 285	749 x 201 x 285	905 x 226 x 312	1086 x 233 x 330
Unit Weight (Net)	[kg]	7,5	7,5	8	12	15
Refrigerant		R32	R32	R32	R32	R32
Pipe Connections (Diameter)	Liquid	[mm(inch)]	6,35 (1/4)	6,35 (1/4)	6,35 (1/4)	6,35 (1/4)
	Gas	[mm(inch)]	9,52 (3/8)	9,52 (3/8)	9,52 (3/8)	12,7 (1/2)
	Condensate	[mm]	16,5	16,5	16,5	16,5

The Freedom series consists of economical units with modern styling and optimal performance parameters.

The Freedom units surprise with their array of features, including a self-cleaning function, turbo mode, a timer, the intelligent "I FEEL" temperature reading function, an ionizer, and Wi-Fi control.

HEALTH

- Cold Plasma Ionizer
- Self-Cleaning Function
- Honeycomb Structure Filter
- Optional Air Filters
- Mold Protection Function

CONVENIENCE

- Self-Diagnosis Function
- 24-Hour Timer
- LED Display
- Two-Way Drainage
- Built-in Wi-Fi Module
- Wireless Controller

COMFORT

- 4D Airflow
- Vertical Air Vane Movement
- Horizontal Air Vane Movement
- Anti-Cold-Air Function
- Night Mode
- I FEEL Function
- TURBO Function
- Automatic Mode
- Cooling Mode
- Heating Mode
- Dry Mode
- Fan Mode

ECOLOGY

- R32 Refrigerant
- Standby Mode 0.3W
- DC INVERTER Technology
- Intelligent Defrosting
- Hydrophilic Aluminum Blades

TECHNOLOGY

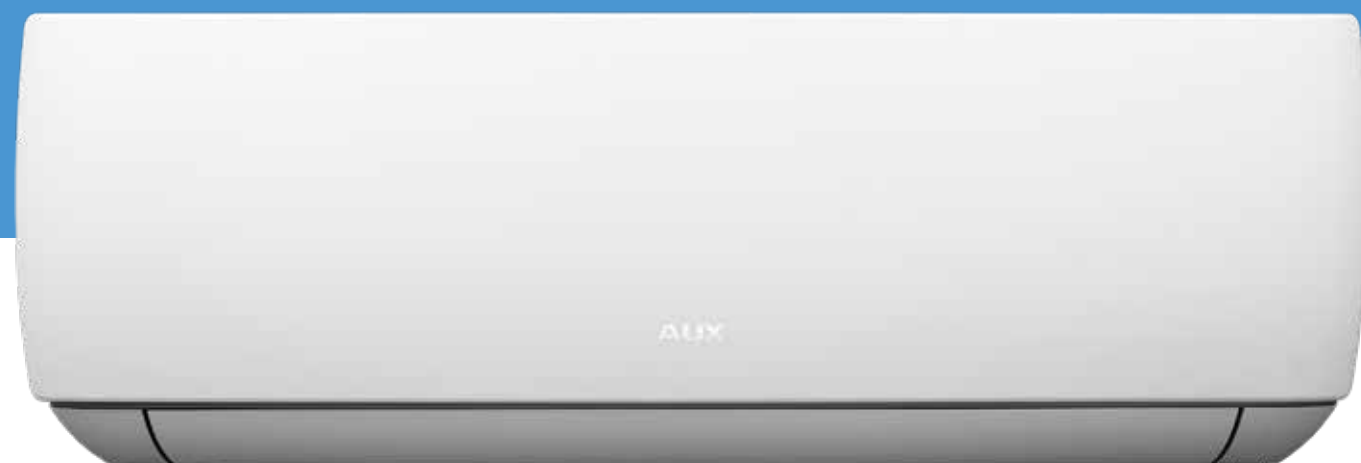
- SUPER EMC
- Automatic Restart



We reserve the right to errors in descriptions, appearance, functions, technical specifications, and dimensional drawings due to the continuous improvement of our devices.

J-Smart

AUX-07/09/12/18/24JO



J-Smart

JO Series

AUX-07/09/12/18/24JO



Model		AUX-07JO/I	AUX-09JO/I	AUX-12JO/I	AUX-18JO/I	AUX-24JO/I	
Cooling Capacity	[kW]	2,05 (1,13 - 2,70)	2,58 (1,40 - 3,30)	3,50 (1,70 - 3,70)	5,27 (2,50 - 5,80)	7,03 (2,90 - 7,30)	
	[Btu/h]	7165 (3855 - 9220)	9000 (4780 - 11260)	12285 (5800 - 12625)	17747 (8530 - 19790)	23986 (9895 - 24908)	
Heating Capacity	[kW]	2,15 (0,98 - 2,50)	2,70 (1,20 - 3,00)	3,50 (1,50 - 3,70)	5,37 (2,25 - 5,80)	7,05 (2,10 - 8,00)	
	[Btu/h]	7510 (3340 - 8530)	9215 (4095 - 10240)	12625 (5120 - 12625)	18085 (7680 - 19790)	24054 (7165 - 27296)	
Power Supply	[V~,Hz,Ph]	220-240, 50, 1	220-240, 50, 1	220-240, 50, 1	220-240, 50, 1	220-240, 50, 1	
Power Consumption in Cooling Mode	[W]	40 (12-68)	40 (12-68)	40 (12-68)	63 (16-88)	63 (16-88)	
Power Consumption in Heating Mode	[W]	40 (12-68)	40 (12-68)	40 (12-68)	63 (16-88)	63 (16-88)	
Fan Motor Power	[W]	12	12	12	30	50	
Fan Speed (High)	[rpm]	1150	1150	1150	1330	1230	
Airflow	[m3/h]	600	600	600	850	1150	
Sound Pressure Level	[dB(A)]	38/31/27/22/19	38/31/27/22/19	38/32/29/23/20	41/32/31/26/23	38/36/33/31/23	
Sound Power Level	[dB(A)]	44/40/36/31/24	44/40/36/31/24	44/40/36/32/23	37/43/40/35/30	48/43/40/37/28	
Unit Dimensions	[mm]	790 x 292 x 206	790 x 292 x 206	790 x 292 x 206	939 x 316 x 226	1126 x 329 x 232	
Unit Weight (Net)	[kg]	8,0	8,0	8,5	12,0	14,0	
Refrigerant	-	R32	R32	R32	R32	R32	
Pipe Connections (Diameter)	Liquid	[mm(inch)]	6,35 (1/4)	6,35 (1/4)	6,35 (1/4)	6,35 (1/4)	6,35 (1/4)
	Gas	[mm(inch)]	9,52 (3/8)	9,52 (3/8)	9,52 (3/8)	12,7 (1/2)	15,88 (5/8)
	Condensate	[mm]	16,5	16,5	16,5	16,5	16,5

The J-Smart series primarily features innovative structural solutions and unique, minimalist design.

The units feature a reinforced, impact-resistant casing with a removable lower cover and patented vertical air vanes shaped like fish fins. The white casing, with its simple form and matte finish, aligns well with current design trends.

HEALTH

- Cold Plasma Ionizer
- 57°C Sterilization
- Self-Cleaning Function
- Antibacterial Filter
- High-Density Filter
- PM 2.5 Filter
- Optional Air Filters
- Mold Protection Function

ECOLOGY

- Refrigerant R32
- Eco Mode
- Standby Mode 0.3W

CONVENIENCE

- Self-Diagnosis Function
- 24-Hour Timer
- LED Display
- Two-Way Drainage
- Built-in Wi-Fi Module
- Wireless Controller

COMFORT

- 4D Airflow
- Vertical Air Vane Movement
- Horizontal Air Vane Movement
- Anti-Cold-Air Function
- Night Mode
- I FEEL Function

COMFORT

- TURBO Function
- Automatic Mode
- Cooling Mode
- Heating Mode
- 8°C Heating Mode
- Dry Mode
- Fan Mode
- Easy and Quick Installation

TECHNOLOGY

- DC INVERTER
- Intelligent Defrosting
- Hydrophilic Aluminum Blades
- SUPER EMC

TECHNOLOGY

- Automatic Restart
- Gold-Finned Indoor Unit



We reserve the right to errors in descriptions, appearance, functions, technical specifications, and dimensional drawings due to the continuous improvement of our devices.

J-Smart Art

AUX-07/09/12/18/24JB



J-Smart Art

JB Series

AUX-07/09/12/18/24JB



Model		AUX-07JB/I	AUX-09JB/I	AUX-12JB/I	AUX-18JB/I	AUX-24JB/I	
Cooling Capacity	[kW]	2,05 (1,13 - 2,70)	2,58 (1,40 - 3,30)	3,50 (1,70 - 3,70)	5,27 (2,50 - 5,80)	7,03 (2,90 - 7,30)	
	[Btu/h]	7165 (3855 - 9220)	9000 (4780 - 11260)	12285 (5800 - 12625)	17747 (8530 - 19790)	23986 (9895 - 24908)	
Heating Capacity	[kW]	2,15 (0,98 - 2,50)	2,70 (1,20 - 3,00)	3,50 (1,50 - 3,70)	5,37 (2,25 - 5,80)	7,05 (2,10 - 8,00)	
	[Btu/h]	7510 (3340 - 8530)	9215 (4095 - 10240)	12625 (5120 - 12625)	18085 (7680 - 19790)	24054 (7165 - 27296)	
Power Supply	[V~,Hz,Ph]	220-240, 50, 1	220-240, 50, 1	220-240, 50, 1	220-240, 50, 1	220-240, 50, 1	
Power Consumption in Cooling Mode	[W]	40 (12-68)	40 (12-68)	40 (12-68)	63 (16-88)	63 (16-88)	
Power Consumption in Heating Mode	[W]	40 (12-68)	40 (12-68)	40 (12-68)	63 (16-88)	63 (16-88)	
Fan Motor Power	[W]	12	12	12	30	50	
Fan Speed (High)	[rpm]	1150	1150	1150	1330	1230	
Airflow	[m ³ /h]	600	600	600	850	1150	
Sound Pressure Level	[dB(A)]	38/31/27/22/19	38/31/27/22/19	38/32/29/23/20	41/32/31/26/23	38/36/33/31/23	
Sound Power Level	[dB(A)]	44/40/36/31/24	44/40/36/31/24	44/40/36/32/23	37/43/40/35/30	48/43/40/37/28	
Unit Dimensions	[mm]	806 x 291 x 220	806 x 291 x 220	806 x 291 x 220	951 x 316 x 234	1151 x 329 x 245	
Unit Weight (Net)	[kg]	8,0	8,0	8,5	12,0	14,0	
Refrigerant	-	R32	R32	R32	R32	R32	
Pipe Connections (Diameter)	Liquid	[mm(inch)]	6,35 (1/4)	6,35 (1/4)	6,35 (1/4)	6,35 (1/4)	6,35 (1/4)
	Gas	[mm(inch)]	9,52 (3/8)	9,52 (3/8)	9,52 (3/8)	12,7 (1/2)	15,88 (5/8)
	Condensate	[mm]	16,5	16,5	16,5	16,5	16,5

The units of the J-Smart Art series combine innovative construction with stunning design.

Innovative solutions in the construction of the air conditioner ensure easy installation and maintenance, as well as a high level of comfort in air-conditioned spaces. The black casing and its distinctive design will meet the expectations of even the most demanding users.

HEALTH

- Cold Plasma Ionizer
- 57°C Sterilization
- Self-Cleaning Function
- Antibacterial Filter
- High-Density Filter
- PM 2.5 Filter
- Optional Air Filters
- Mold Protection Function

ECOLOGY

- Refrigerant R32
- Eco Mode
- Standby Mode 0.3W

CONVENIENCE

- Self-Diagnosis Function
- 24-Hour Timer
- LED Display
- Two-Way Drainage
- Built-in Wi-Fi Module
- Wireless Controller

COMFORT

- 4D Airflow
- Vertical Air Vane Movement
- Horizontal Air Vane Movement
- Anti-Cold-Air Function
- Night Mode
- I FEEL Function

COMFORT

- TURBO Function
- Automatic Mode
- Cooling Mode
- Heating Mode
- 8°C Heating Mode
- Dry Mode
- Fan Mode
- Easy and Quick Installation

TECHNOLOGY

- DC INVERTER
- Intelligent Defrosting
- Hydrophilic Aluminum Blades
- SUPER EMC

TECHNOLOGY

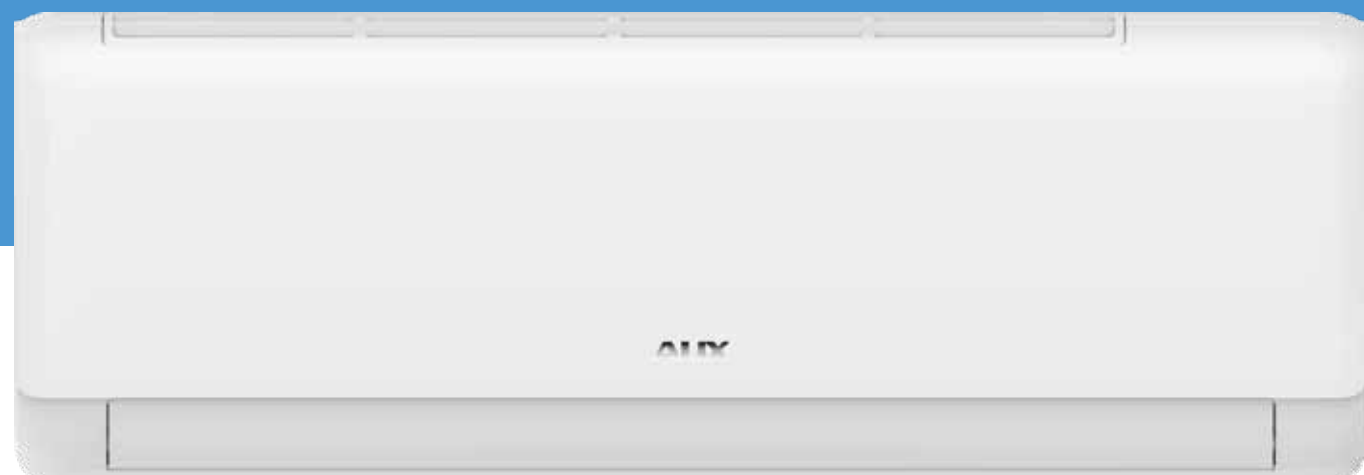
- Automatic Restart
- Gold-Finned Indoor Unit



We reserve the right to errors in descriptions, appearance, functions, technical specifications, and dimensional drawings due to the continuous improvement of our devices.

Q-Smart Premium

AUX-07/09/12/18/24QP



Q-Smart Premium offers health-enhancing features, advanced technology, and an exceptionally stylish casing.

The high quality and aesthetics of the Q-Smart Premium air conditioners, combined with their slim design, make the units not only a perfect fit for any interior style but also an elegant and discreet decorative element.



Q-Smart Premium

QP Series

AUX-07/09/12/18/24QP



Model		AUX-07QP/I	AUX-09QP/I	AUX-12QP/I	AUX-18QP/I	AUX-24QP/I	
Cooling Capacity	[kW]	2,05 (1,13 - 2,70)	2,58 (1,40 - 3,30)	3,50 (1,70 - 3,70)	5,27 (2,50 - 5,80)	7,03 (2,90 - 7,30)	
	[Btu/h]	7165 (3855 - 9220)	9000 (4780 - 11260)	12285 (5800 - 12625)	17747 (8530 - 19790)	23986 (9895 - 24908)	
Heating Capacity	[kW]	2,15 (0,98 - 2,50)	2,70 (1,20 - 3,00)	3,50 (1,50 - 3,70)	5,37 (2,25 - 5,80)	7,05 (2,10 - 8,00)	
	[Btu/h]	7510 (3340 - 8530)	9215 (4095 - 10240)	12625 (5120 - 12625)	18085 (7680 - 19790)	24054 (7165 - 27296)	
Power Supply	[V~,Hz,Ph]	220-240, 50, 1	220-240, 50, 1	220-240, 50, 1	220-240, 50, 1	220-240, 50, 1	
Power Consumption in Cooling Mode	[W]	40 (12-68)	40 (12-68)	40 (12-68)	63 (16-88)	63 (16-88)	
Power Consumption in Heating Mode	[W]	40 (12-68)	40 (12-68)	40 (12-68)	63 (16-88)	63 (16-88)	
Fan Motor Power	[W]	12	12	12	30	50	
Fan Speed (High)	[rpm]	1150	1150	1150	1330	1230	
Airflow	[m3/h]	600	600	600	850	1150	
Sound Pressure Level	[dB(A)]	38/31/27/22/19	38/31/27/22/19	38/32/29/23/20	41/32/31/26/23	38/36/33/31/23	
Sound Power Level	[dB(A)]	44/40/36/31/24	44/40/36/31/24	44/40/36/32/23	37/43/40/35/30	48/43/40/37/28	
Unit Dimensions	[mm]	761 x 296 x 198	761 x 296 x 198	761 x 296 x 198	960 x 315 x 220	1089 x 327 x 225	
Unit Weight (Net)	[kg]	8,0	8,0	8,5	12,0	14,0	
Refrigerant		R32	R32	R32	R32	R32	
Pipe Connections (Diameter)	Liquid	[mm(inch)]	6,35 (1/4)	6,35 (1/4)	6,35 (1/4)	6,35 (1/4)	6,35 (1/4)
	Gas	[mm(inch)]	9,52 (3/8)	9,52 (3/8)	9,52 (3/8)	12,7 (1/2)	15,88 (5/8)
	Condensate	[mm]	16,5	16,5	16,5	16,5	16,5

HEALTH

- Cold Plasma Ionizer
- 57°C Sterilization
- Self-Cleaning Function
- Antibacterial Filter
- High-Density Filter
- PM 2.5 Filter
- Optional Air Filters
- Mold Protection Function

ECOLOGY

- Refrigerant R32
- Eco Mode
- Standby Mode 0.3W

CONVENIENCE

- Self-Diagnosis Function
- 24-Hour Timer
- LED Display
- Two-Way Drainage
- Built-in Wi-Fi Module
- Wireless Controller

COMFORT

- 4D Airflow
- Vertical Air Vane Movement
- Horizontal Air Vane Movement
- Anti-Cold-Air Function
- Night Mode
- I FEEL Function

COMFORT

- TURBO Function
- Automatic Mode
- Cooling Mode
- Heating Mode
- 8°C Heating Mode
- Dry Mode
- Fan Mode
- Easy and Quick Installation

TECHNOLOGY

- DC INVERTER
- Intelligent Defrosting
- Hydrophilic Aluminum Blades
- SUPER EMC

TECHNOLOGY

- Automatic Restart
- Gold-Finned Indoor Unit

We reserve the right to errors in descriptions, appearance, functions, technical specifications, and dimensional drawings due to the continuous improvement of our devices.

Q-Smart Premium Grey

AUX-07/09/12/18/24QB



Q-Smart Premium Grey offers health-enhancing features, advanced technology, and an exceptionally stylish casing in a unique grey finish.

The elegant graphite casing, imitating chrome silver, is a perfect choice for those seeking unconventional color options. This model will serve as a bold accent, adding character to any interior.



Q-Smart Premium Grey

QB Series

AUX-07/09/12/18/24QB



Model		AUX-07QB/I	AUX-09QB/I	AUX-12QB/I	AUX-18QB/I	AUX-24QB/I	
Cooling Capacity	[kW]	2,05 (1,13 - 2,70)	2,58 (1,40 - 3,30)	3,50 (1,70 - 3,70)	5,27 (2,50 - 5,80)	7,03 (2,90 - 7,30)	
	[Btu/h]	7165 (3855 - 9220)	9000 (4780 - 11260)	12285 (5800 - 12625)	17747 (8530 - 19790)	23986 (9895 - 24908)	
Heating Capacity	[kW]	2,15 (0,98 - 2,50)	2,70 (1,20 - 3,00)	3,50 (1,50 - 3,70)	5,37 (2,25 - 5,80)	7,05 (2,10 - 8,00)	
	[Btu/h]	7510 (3340 - 8530)	9215 (4095 - 10240)	12625 (5120 - 12625)	18085 (7680 - 19790)	24054 (7165 - 27296)	
Power Supply	[V~,Hz,Ph]	220-240, 50, 1	220-240, 50, 1	220-240, 50, 1	220-240, 50, 1	220-240, 50, 1	
Power Consumption in Cooling Mode	[W]	40 (12-68)	40 (12-68)	40 (12-68)	63 (16-88)	63 (16-88)	
Power Consumption in Heating Mode	[W]	40 (12-68)	40 (12-68)	40 (12-68)	63 (16-88)	63 (16-88)	
Fan Motor Power	[W]	12	12	12	30	50	
Fan Speed (High)	[rpm]	1150	1150	1150	1330	1230	
Airflow	[m3/h]	600	600	600	850	1150	
Sound Pressure Level	[dB(A)]	38/31/27/22/19	38/31/27/22/19	38/32/29/23/20	41/32/31/26/23	38/36/33/31/23	
Sound Power Level	[dB(A)]	44/40/36/31/24	44/40/36/31/24	44/40/36/32/23	37/43/40/35/30	48/43/40/37/28	
Unit Dimensions	[mm]	761 x 296 x 198	761 x 296 x 198	761 x 296 x 198	960 x 315 x 220	1089 x 327 x 225	
Unit Weight (Net)	[kg]	8,0	8,0	8,5	12,0	14,0	
Refrigerant	-	R32	R32	R32	R32	R32	
Pipe Connections (Diameter)	Liquid	[mm(inch)]	6,35 (1/4)	6,35 (1/4)	6,35 (1/4)	6,35 (1/4)	6,35 (1/4)
	Gas	[mm(inch)]	9,52 (3/8)	9,52 (3/8)	9,52 (3/8)	12,7 (1/2)	15,88 (5/8)
	Condensate	[mm]	16,5	16,5	16,5	16,5	16,5

HEALTH

- Cold Plasma Ionizer
- 57°C Sterilization
- Self-Cleaning Function
- Antibacterial Filter
- High-Density Filter
- PM 2.5 Filter
- Optional Air Filters
- Mold Protection Function

ECOLOGY

- Refrigerant R32
- Eco Mode
- Standby Mode 0.3W

CONVENIENCE

- Self-Diagnosis Function
- 24-Hour Timer
- LED Display
- Two-Way Drainage
- Built-in Wi-Fi Module
- Wireless Controller

COMFORT

- 4D Airflow
- Vertical Air Vane Movement
- Horizontal Air Vane Movement
- Anti-Cold-Air Function
- Night Mode
- I FEEL Function

COMFORT

- TURBO Function
- Automatic Mode
- Cooling Mode
- Heating Mode
- 8°C Heating Mode
- Dry Mode
- Fan Mode
- Easy and Quick Installation

TECHNOLOGY

- DC INVERTER
- Intelligent Defrosting
- Hydrophilic Aluminum Blades
- SUPER EMC

TECHNOLOGY

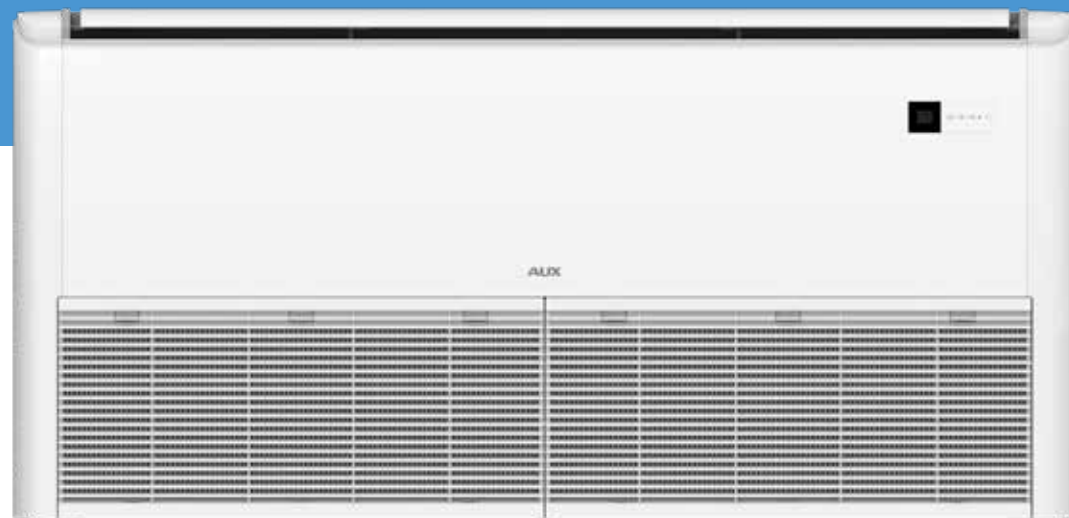
- Automatic Restart
- Gold-Finned Indoor Unit

We reserve the right to errors in descriptions, appearance, functions, technical specifications, and dimensional drawings due to the continuous improvement of our devices.

A NEW DIMENSION OF QUALITY

Floor-Ceiling Units

AUX-M-F(09/12/18)/I



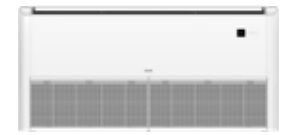
Efficient, versatile units that, thanks to their compact dimensions and flexible installation options, are perfect for both commercial and residential spaces. These devices provide a high level of comfort in every corner of the air-conditioned room.



Floor-Ceiling Units

F Series

AUX-M-F(09/12/18)/I



Model		AUX-M-F09/I	AUX-M-F12/I	AUX-M-F18/I
Cooling Capacity	[kW]	2,80 (1,50 - 3,55)	3,60 (1,70 - 3,70)	5,3 (2,50 - 5,60)
	[Btu/h]	9560 (5120 - 12115)	12285 (5800 - 12625)	18080 (8530 - 19107)
Heating Capacity	[kW]	3,00 (1,60 - 3,81)	3,90 (2,03 - 4,42)	5,80 (3,03 - 7,03)
	[Btu/h]	10240 (5460 - 13000)	13306 (6930 - 15080)	19790 (10340 - 24000)
Power Supply	[V~,Hz,Ph]	220-240, 50, 1	220-240, 50, 1	220-240, 50, 1
Power Consumption in Cooling Mode	[W]	80 (20 - 125)	80 (20 - 125)	80 (20 - 125)
Power Consumption in Heating Mode	[W]	80 (20 - 125)	80 (20 - 125)	80 (20 - 125)
Fan Motor Power	[W]	40	40	40
Fan Speed (High)	[rpm]	1250/1050/950	1250/1050/950	1300/1100/1000
Airflow	[m3/h]	750/600/500	750/600/500	850/700/600
Sound Pressure Level	[dB(A)]	39/36/30	39/36/30	45/42/40
Sound Power Level	[dB(A)]	55	55	59
Unit Dimensions	[mm]	1000 x 690 x 235	1000 x 690 x 235	1000 x 690 x 235
Unit Weight (Net)	[kg]	26,0	26,0	26,0
Refrigerant		R32	R32	R32
Pipe Connections (Diameter)	Liquid [mm(inch)]	6,35 (1/4)	6,35 (1/4)	6,35 (1/4)
	Gas [mm(inch)]	12,7 (1/2)	12,7 (1/2)	12,7 (1/2)
	Condensate [mm]	20	20	20

HEALTH

Durable Air Filter

ECOLOGY

Refrigerant R32

CONVENIENCE

Wireless Controller

COMFORT

Cooling Mode

Fast Cooling / Heating

Heating Mode

Automatic Mode

Fan Mode

Dry Mode

TECHNOLOGY

DC INVERTER

Inverter Technology

Intelligent Defrosting

Hydrophilic Aluminum Blades

Automatic Restart

Cooling at Low Temperatures

We reserve the right to errors in descriptions, appearance, functions, technical specifications, and dimensional drawings due to the continuous improvement of our devices.

Cassette Units

AUX-M-C(09/12/18/24)/I



Quiet and efficient AUX cassette units are perfect for commercial spaces with suspended ceilings—such as offices, conference rooms, restaurants, and retail spaces. With 360° surround airflow technology and fast cooling/heating functions, they can ensure comfortable conditions in every corner of the air-conditioned room.



Cassette

C Series

AUX-M-C(09/12/18/24)/I



Model		AUX-C-09CAC	AUX-C-12CAC	AUX-C-18CAC	AUX-C-24CAC	
Decorative Panel		-	AUX-P-01	AUX-P-01	AUX-P-01	AUX-P-02
Cooling Capacity	[kW]	2,80 (1,50 - 3,55)	3,52 (1,70 - 3,70)	5,28 (2,50 - 5,60)	7,00 (2,16 - 8,20)	
	[Btu/h]	9560 (5120 - 12115)	12010 (5800 - 12625)	18015 (8530 - 19107)	24000 (7400 - 28000)	
Heating Capacity	[kW]	3,00 (1,60 - 3,81)	3,81 (2,03 - 4,42)	5,60 (3,03 - 7,03)	8,00 (1,98 - 9,30)	
	[Btu/h]	10240 (5460 - 13000)	13000 (6930 - 15080)	19107 (10340 - 2400)	27300 (6800 - 31700)	
Power Supply	[V~,Hz,Ph]	220-240, 50, 1	220-240, 50, 1	220-240, 50, 1	220-240, 50, 1	
Power Consumption in Cooling Mode	[W]	40 (12 - 68)	40 (12 - 68)	40 (12 - 68)	110 (27,5 - 171)	
Power Consumption in Heating Mode	[W]	40 (12 - 68)	40 (12 - 68)	40 (12 - 68)	110 (27,5 - 171)	
Fan Motor Power	[W]	30	30	30	80	
Fan Speed (High / Medium / Low)	[rpm]	720/610/530	720/610/530	840/720/660	580/530/470	
Airflow (High / Medium / Low)	[m3/h]	700/620/530	700/620/530	760/650/580	1400/1350/1150	
Sound Pressure Level	[dB(A)]	42/36/32	42/36/32	45/40/38	47/45/42	
Sound Power Level	[dB(A)]	52	52	56	57	
Unit Dimensions	[mm]	570 x 570 x 260	570 x 570 x 260	570 x 570 x 260	840 x 840 x 246	
Panel Dimensions	[mm]	650 x 650 x 55	650 x 650 x 55	650 x 650 x 55	950 x 950 x 55	
Unit Weight (Net)	[kg]	14,5	14,5	15,0	26,0	
Panel Weight (Net)	[kg]	2,2	2,2	2,2	5,3	
Refrigerant		-	R32	R32	R32	R32
Pipe Connections (Diameter)	Liquid	[mm(inch)]	6,35 (1/4)	6,35 (1/4)	6,35 (1/4)	6,35 (1/4)
	Gas	[mm(inch)]	12,7 (1/2)	12,7 (1/2)	12,7 (1/2)	15,88 (5/8)
	Condensate	[mm]	20	20	20	20

HEALTH

Washable Air Filter

ECOLOGY

Refrigerant R32

CONVENIENCE

Wireless Controller

COMFORT

Cooling Mode

Fast Cooling / Heating

Heating Mode

Automatic Mode

Fan Mode

Dry Mode

TECHNOLOGY

DC INVERTER

Inverter Technology

Intelligent Defrosting

Hydrophilic Aluminum Blades

Automatic Restart

Cooling at Low Temperatures

We reserve the right to errors in descriptions, appearance, functions, technical specifications, and dimensional drawings due to the continuous improvement of our devices.

Duct Units

AUX-M-D(07/09/12/18/24)/I



Thanks to their ultra-flat design, these units are ideal even for low ceiling spaces. The automatic ESP (External Static Pressure) adjustment function ensures comfortable cooling and heating, regardless of the installation length.

The ducted unit design allows for two ways of installing the air intake duct, providing great flexibility in system design. By default, the air intake is located at the rear of the unit. If the room layout requires, the air can also be drawn through the bottom intake opening (optional).



Duct

D Series

AUX-M-D(07/09/12/18/24)/I



Model		AUX-M-D07/I	AUX-M-D09/I	AUX-M-D12/I	AUX-M-D18/I	AUX-M-D24/I
Cooling Capacity	[kW]	2,20 (1,13 - 2,70)	2,60 (1,50 - 3,55)	3,60 (1,71 - 3,85)	5,10 (2,50 - 5,80)	7,10 (3,47 - 7,55)
	[Btu/h]	7506 (3855 - 9220)	8872 (5120 - 12115)	12280 (5835 - 13135)	17400 (8530 - 19790)	24225 (11846 - 25436)
Heating Capacity	[kW]	2,50 (1,34 - 3,17)	2,90 (1,70 - 3,65)	4,00 (1,90 - 3,92)	5,80 (2,84 - 6,40)	7,50 (3,67 - 7,88)
	[Btu/h]	8530 (4575 - 10820)	9895 (5800 - 12450)	13650 (6480 - 13375)	19790 (9690 - 21835)	25590 (12513 - 26869)
Power Supply	[V~,Hz,Ph]	220~240, 50, 1	220~240, 50, 1	220~240, 50, 1	220~240, 50, 1	220~240, 50, 1
Power Consumption in Cooling Mode	[W]	55	55	55	75	90
Power Consumption in Heating Mode	[W]	55	55	55	75	90
Fan Motor Power	[W]	40	40	40	90	110
Fan Speed (High / Medium / Low)	[rpm]	1020/870/780	1020/870/780	1020/870/780	1050/900/800	1050/900/800
Airflow (High / Medium / Low)	[m ³ /h]	600/450/380	600/450/380	680/560/450	860/660/600	1150/880/780
Sound Pressure Level	[dB(A)]	35/31/28	35/31/28	38/34/31	42/38/36	41/38/36
Sound Power Level	[dB(A)]	53	53	53	55	55
ESP	[Pa]	10/30	10/30	10/30	10/30	10/30
Unit Dimensions	[mm]	700 x 470 x 200	700 x 470 x 200	700 x 470 x 200	1000 x 470 x 200	1300 x 470 x 200
Unit Weight (Net)	[kg]	18,5	18,5	18,5	24	29
Refrigerant		R32	R32	R32	R32	R32
Pipe Connections (Diameter)	Liquid	[mm(inch)]	6,35 (1/4)	6,35 (1/4)	6,35 (1/4)	6,35 (1/4)
	Gas	[mm(inch)]	9,52 (3/8)	9,52 (3/8)	9,52 (3/8)	12,70 (1/2)
	Condensate	[mm]	16,50	16,50	16,50	16,50

HEALTH

Durable Air Filter

ECOLOGY

Refrigerant R32

CONVENIENCE

Wired controller

COMFORT

Cooling Mode

Fast Cooling / Heating

Heating Mode

Automatic Mode

Fan Mode

Dry Mode

TECHNOLOGY

DC INVERTER

Inverter Technology

Intelligent Defrosting

Hydrophilic Aluminum Blades

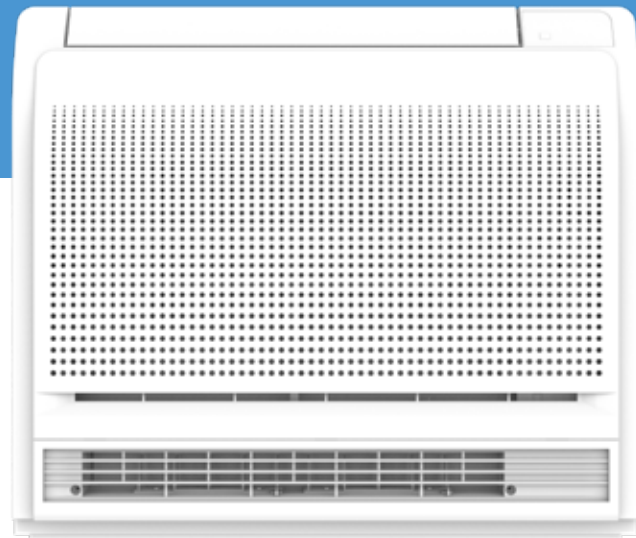
Automatic Restart

Cooling at Low Temperatures

We reserve the right to errors in descriptions, appearance, functions, technical specifications, and dimensional drawings due to the continuous improvement of our devices.

Console Type Units

AUX-K-(09/12/16)/1



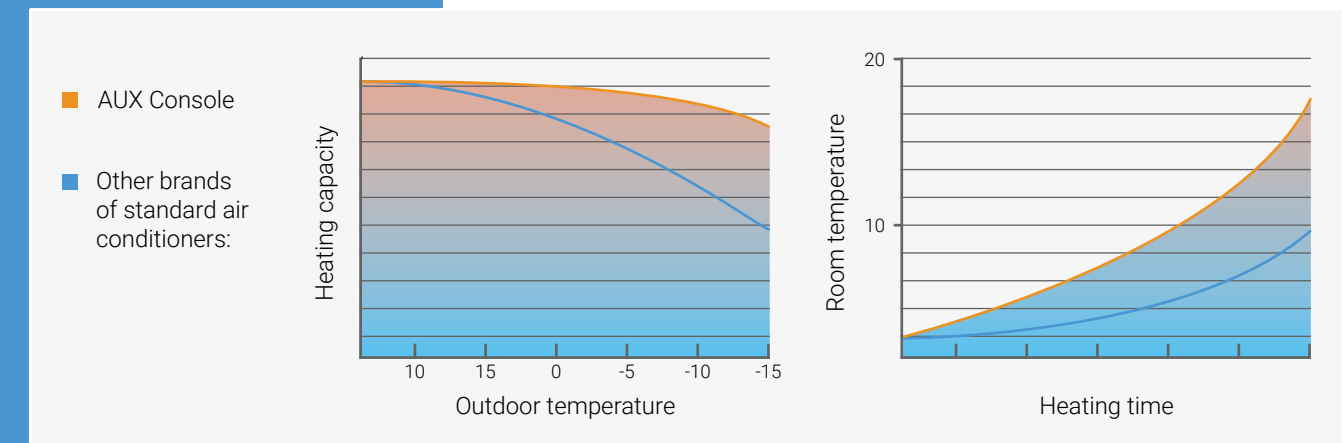
Console-type units are efficient and compact devices that are perfect for both commercial and residential spaces. Their attractive design seamlessly fits into any air-conditioned room.



MULTI SPLIT SYSTEMS

Console Type Units

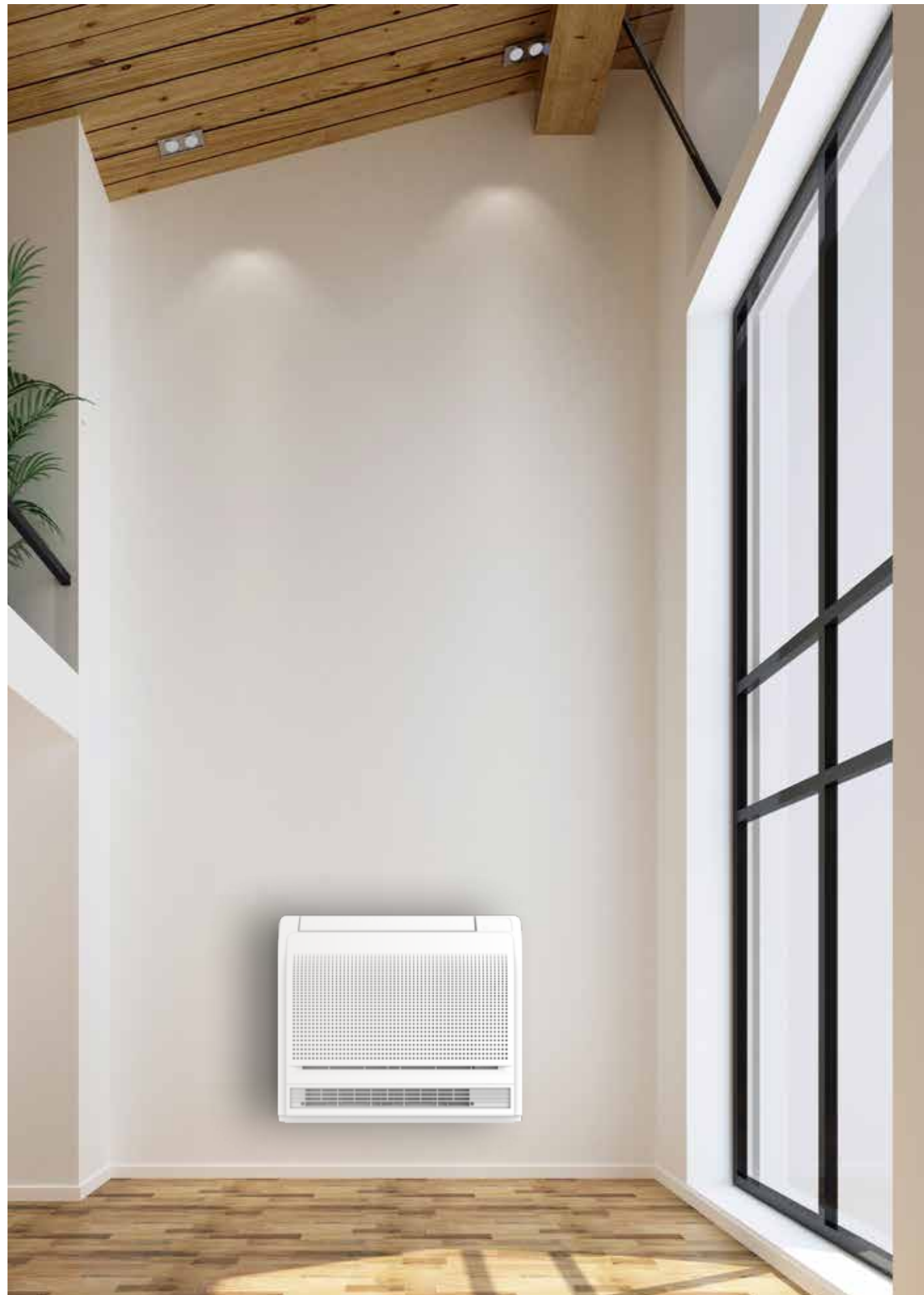
High Heating Power



High-quality compressor

Both indoor and outdoor units utilize advanced DC inverter technology, known for its high efficiency and energy savings. This ensures that these systems operate more effectively, contributing to a significant reduction in energy consumption. The inverter technology allows for smooth power adjustments according to real-time needs, eliminating energy losses caused by frequent switching on and off. Additionally, DC inverters extend the lifespan of the equipment by reducing mechanical and thermal stress. As a result, users benefit from lower energy bills and more reliable system performance.

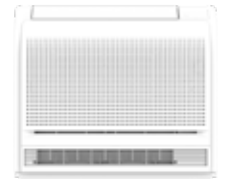




Console Type Units

K Series

AUX-K-(09/12/16)/I



Model		AUX-K-09/I	AUX-K-12/I	AUX-K-16/I	
Cooling capacity	[kW]	2,60 (1,50 - 3,55)	3,50 (1,35 - 4,40)	4,70 (1,53 - 5,60)	
	[Btu/h]	8872 (5120 - 12115)	12000 (4600 - 15000)	16036 (5200 - 19100)	
Heating capacity	[kW]	2,60 (1,50 - 3,55)	3,50 (1,24 - 5,30)	5,00 (1,40 - 6,20)	
	[Btu/h]	9560 (5120 - 12115)	12000 (4200 - 18100)	17060 (4800 - 21200)	
Power supply	[V~,Hz,Ph]	220-240, 50, 1	220-240, 50, 1	220-240, 50, 1	
Power consumption in cooling mode	[W]	40 (20 - 65)	40 (20 - 65)	55 (20 - 80)	
Power consumption in heating mode	[W]	40 (20 - 65)	40 (20 - 65)	55 (20 - 80)	
Fan motor power	[W]	35	35	35	
Fan speed (high)	[rpm]	650/590/550/480	650/590/550/480	690/610/550/480	
Airflow	[m ³ /h]	600/530/430	600/530/430	650/550/450	
Sound pressure level	[dB(A)]	42/39/36	42/39/36	44/40/37	
Sound power level	[dB(A)]	52	52	56	
Unit dimensions [§]	[mm]	700 x 225 x 600	700 x 225 x 600	700 x 225 x 600	
Unit weight (net)	[kg]	15,0	15,0	15,0	
Refrigerant	-	R32	R32	R32	
Pipe Connections (Diameter)	Liquid	[mm(inch)]	6,35 (1/4)	6,35 (1/4)	6,35 (1/4)
	Gas	[mm(inch)]	9,52 (3/8)	9,52 (3/8)	9,52 (3/8)
	Condensate	[mm]	20	20	20

HEALTH

Long-term

Durable air filter

ECOLOGY

R32

Refrigerant R32

CONVENIENCE

Wireless controller

COMFORT

COOLING

Cooling Mode

Fast Cooling / Heating

HEATING

Heating Mode

AUTO

Automatic Mode

VENTILATION

Fan Mode

DRY MODE

Dry Mode

TECHNOLOGY

DC INVERTER

Inverter Technology

Intelligent Defrosting

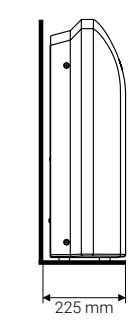
Hydrophilic Aluminum Blades

Automatic Restart

Cooling at Low Temperatures

Easy installation and flat design

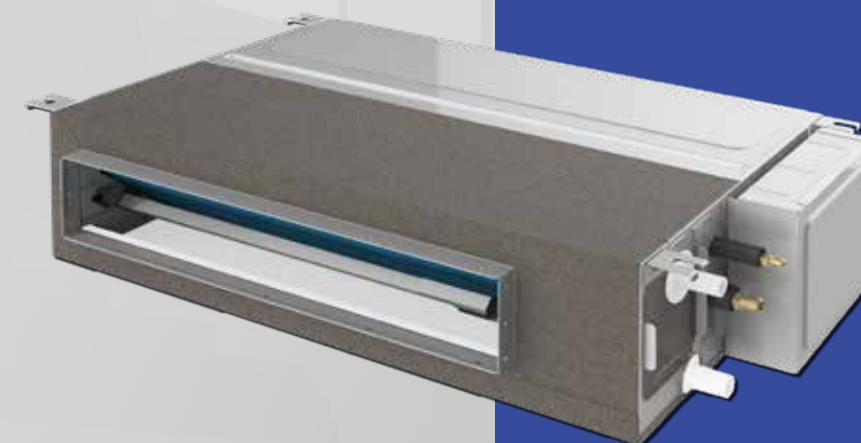
The design of the console-type unit allows for easy placement in the room. Wall installation does not require additional casing. The unit's exceptionally slim depth of only 225 mm enables installation even in limited spaces.



Vertical installation of the unit against the wall

We reserve the right to errors in descriptions, appearance, functions, technical specifications, and dimensional drawings due to the continuous improvement of our devices.

AUX
AIR CONDITIONER



commercial
air conditioners

commercial air conditioners

HIGH-QUALITY INVERTER COMPRESSOR

ENERGY EFFICIENCY AND RELIABILITY GUARANTEE

The rotary inverter compressor used in AUX air conditioners guarantees reliable and efficient operation of the units while providing top-tier energy efficiency. It also ensures low operating costs and minimal noise levels. The durable, high-quality materials used in the compressor's construction contribute to its long-lasting and maintenance-free performance.

QUALITY AND ENERGY EFFICIENCY



WIDE OPERATING RANGE



Reliable operation even in adverse outdoor conditions

AUX commercial systems are known for their reliable and stable performance, even in extreme ambient temperatures. Thanks to modern technology and high-quality components, AUX units can operate within a wide outdoor temperature range, from -15°C to 52°C in cooling mode and from -22°C to 24°C in heating mode, ensuring high comfort levels in air-conditioned spaces throughout the year.



High energy efficiency

Guaranteed energy-efficient operation

Thanks to the use of a high-efficiency DC inverter compressor, a variable fan motor, and advanced vector control technology using a 180° sine wave, AUX commercial systems achieve high energy efficiency, ensuring reliable and efficient operation with low energy consumption. All CAC series air conditioners have an energy efficiency class of A++ in cooling mode and A+ in heating mode.


Drip tray heater of the outdoor unit

Efficient operation in heating mode

Outdoor units from the AUX commercial system series are equipped with drip tray heaters, enabling efficient operation in heating mode even during severe frosts, preventing the heat exchanger from freezing.



ECO-FRIENDLY REFRIGERANT R32

 Eco-friendly, safe, highly efficient

All AUX air conditioning units from the CAC series operate using the latest eco-friendly refrigerant, R32, which, compared to the widely used R410A refrigerant, offers greater efficiency and a lower global warming potential (GWP). Additionally, R32 does not contribute to ozone depletion.

CARING FOR OUR PLANET



DURABILITY AND AESTHETICS



Corrosion-resistant casing of the outdoor unit

Longer lifespan and aesthetics

The housing of the outdoor unit is coated with multiple protective layers, shielding it from insects, rodents, moisture, dust, and fire. This ensures the unit's long lifespan and maintains its aesthetic appearance, even after years of exposure to harsh environmental conditions.



Automatic restart

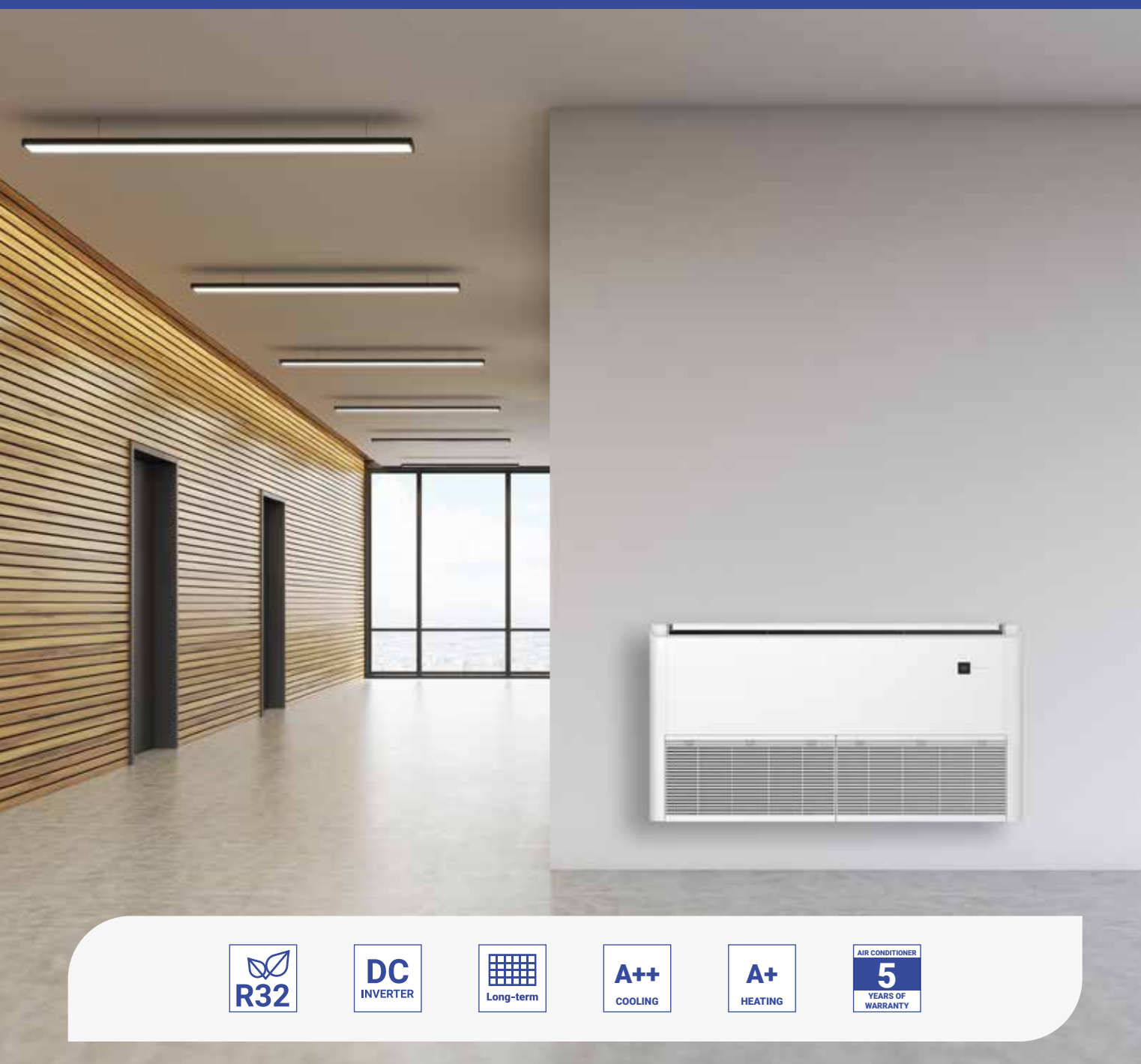
Memory settings in case of power outage

In the event of a power outage, the device remembers the last settings and, upon restoring power, automatically resumes the previously set mode of operation.



Floor-Ceiling Units

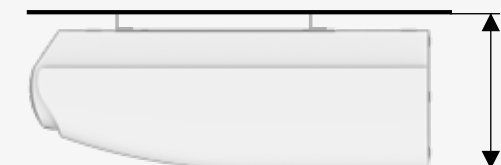
AUX-C-(18/24/36/42/48/60)CAF



Universal installation and ultra-slim design

Only 235 mm thick

The design of the floor-ceiling unit allows for adjusting the installation method to the room's layout—the device can be mounted both vertically (on the floor against the wall) and horizontally (suspended from the ceiling). It does not require any enclosure and works well in spaces without a suspended ceiling. The exceptionally shallow depth of the unit—only 235 mm—allows for installation even in limited spaces.



Installation of the unit horizontally under the ceiling.

Installation of the unit vertically against the wall.



HEALTH		ECOLOGY		CONVENIENCE		COMFORT				
Durable air filter	Refrigerant R32	Wireless controller	Optional Wi-Fi control	Cooling Mode	Fast Cooling / Heating	Heating Mode	Automatic Mode	Fan Mode	Dry Mode	

TECHNOLOGY

Inverter Technology	Intelligent Defrosting	Hydrophilic Aluminum Blades	Automatic Restart	Cooling at Low Temperatures

We reserve the right to errors in descriptions, appearance, functions, technical specifications, and dimensional drawings due to the continuous improvement of our devices.

A NEW DIMENSION OF QUALITY

Floor-ceiling

CAF Series

AUX-C-(18/24/36)CAF

Model		AUX-C-18CAF	AUX-C-24CAF	AUX-C-36CAF
Cooling capacity	[kW]	5,00 (1,53 - 5,60)	7,00 (2,16 - 8,20)	10,55 (2,90 - 13,00)
	[Btu/h]	18000 (5200 - 19100)	24000 (7400 - 28000)	36000 (9800 - 44300)
Heating capacity	[kW]	5,60 (1,40 - 6,20)	8,00 (1,98 - 9,30)	11,15 (2,60 - 13,50)
	[Btu/h]	19100 (4800 - 21200)	27300 (6800 - 31700)	38000 (8800 - 46000)
Power supply	[V~,Hz,Ph]	220-240, 50, 1	220-240, 50, 1	220-240, 50, 1
Power consumption	Cooling [kW]	1,63 (0,47 - 2,30)	2,25 (0,67 - 3,56)	3,40 (0,71 - 4,71)
	Heating [kW]	1,73 (0,46 - 2,25)	2,10 (0,65 - 3,62)	3,45 (0,47 - 4,13)
Current draw	Cooling [A]	7,16 (2,25 - 10,10)	9,88 (3,21 - 15,63)	15,00 (3,20 - 21,50)
	Heating [A]	7,60 (2,20 - 9,88)	9,60 (3,11-15,90)	15,50 (2,43 - 18,00)
EER / COP	-	3,07 / 3,24	3,11 / 3,81	3,09 / 3,23
SEER / SCOP	-	6,10 / 4,10	6,30 / 4,10	6,10 / 4,00
Energy efficiency class	Cooling	A++	A++	A++
	Heating	A+	A+	A+

Indoor unit		AUX-C-18CAF/I	AUX-C-24CAF/I	AUX-C-36CAF/I
Fan motor power	[W]	40	90	110
Fan speed (high/medium/low)	[rpm]	1300/1100/1000	1300/1100/1000	1350/1250/1100
Airflow (high/medium/low)	[m³/h]	900/730/650	1300/1052/920	1800/1550/1350
Sound pressure level (high/medium/low)	[dB(A)]	45/40/34	47/43/38	53/50/47
Sound power level	[dB(A)]	56	57	63
Dimensions of the indoor unit	[mm]	1000 x 690 x 235	1280 x 690 x 235	1600 x 690 x 235
Weight of the indoor unit (net)	[kg]	25	32	44

Outdoor unit		AUX-C-18CAO	AUX-C-24CAO	AUX-C-36CAO
Compressor type	-	Rotary	Rotary	Rotary
Airflow (high/medium/low)	[m³/h]	2600	3750	4000
Sound pressure level	[dB(A)]	55	58	57
Sound power level	[dB(A)]	64	67	66
External unit dimensions	[mm]	800 x 315 x 545	900 x 350 x 700	970 x 409 x 805
Weight of the outdoor unit (net)	[kg]	37	51	72
Refrigerant	Type	-	R32	R32
	Factory filling [kg]	1,16	1,4	2,54
Pipe Connections (Diameter)	Liquid [mm(inch)]	6,35 (1/4)	9,52 (3/8)	9,52 (3/8)
	Gas [mm(inch)]	12,7 (1/2)	15,88 (5/8)	15,88 (5/8)
	Condensate [mm(inch)]	DN20 (R3/4)	DN20 (R3/4)	DN20 (R3/4)
Maximum pipe length	[m]	30	50	65
Maximum height difference	[m]	20	25	30
Operation of the external unit (external temperature)	Cooling [°C]	-15~52	-15~52	-15~52
	Heating [°C]	-22~24	-22~24	-22~24
Temperature operating range	[°C]	16~32	16~32	16~32

Air conditioning devices contain fluorinated greenhouse gases R32.

We reserve the right to errors in descriptions, appearance, functions, technical parameters, and dimensional drawings, which result from the continuous improvement of our devices.

CAF Series

AUX-C-(42/48/60)CAF



Model		AUX-C-42CAF	AUX-C-48CAF	AUX-C-60CAF
Cooling capacity	[kW]	12,10 (2,90 - 13,50)	14,00 (4,76 - 16,50)	16,00 (4,76 - 17,50)
	[Btu/h]	42000 (9800 - 46000)	48000 (16241 - 56298)	55000 (16241 - 59710)
Heating capacity	[kW]	13,50 (2,60 - 15,00)	16,00 (4,78 - 16,15)	17,00 (4,78 - 18,50)
	[Btu/h]	46000 (8800 - 51100)	55000 (16309 - 55104)	58000 (16308 - 63122)
Zasilanie	[V~,Hz,Ph]	220-240, 50, 1	380-415, 50, 3	380-415, 50, 3
Power consumption	Cooling [kW]	4,50 (0,71 - 5,10)	5,30 (1,71 - 6,70)	6,11 (1,71 - 6,80)
	Heating [kW]	4,60 (0,47 - 4,53)	5,50 (1,71 - 6,80)	5,90 (1,71 - 7,10)
Current draw	Cooling [A]	19,50 (3,20 - 22,30)	7,67 (2,47 - 9,53)	8,83 (2,47 - 9,70)
	Heating [A]	20,00 (2,43 - 19,70)	7,97 (2,47 - 9,70)	8,53 (2,47 - 9,83)
EER / COP	-	2,69 / 2,93	2,64 / 2,91	2,62 / 2,88
SEER / SCOP	-	6,10 / 4,00	6,10 / 4,00	6,10 / 4,00
Energy efficiency class	Cooling	A++	A++	A++
	Heating	A+	A+	A+

Indoor unit		AUX-C-42CAF/I	AUX-C-48CAF/I	AUX-C-60CAF/I
Fan motor power	[W]	110	110	110
Fan speed (high/medium/low)	[rpm]	1350/1250/1100	1350/1250/1100	1350/1250/1100
Airflow (high/medium/low)	[m³/h]	1800/1550/1350	1900/1600/1400	1900/1600/1400
Sound pressure level (high/medium/low)	[dB(A)]	53/50/47	53/51/49	53/51/49
Sound power level	[dB(A)]	63	64	64
Dimensions of the indoor unit	[mm]	1600 x 690 x 235	1600 x 690 x 235	1600 x 690 x 235
Weight of the indoor unit (net)	[kg]	44	44	44

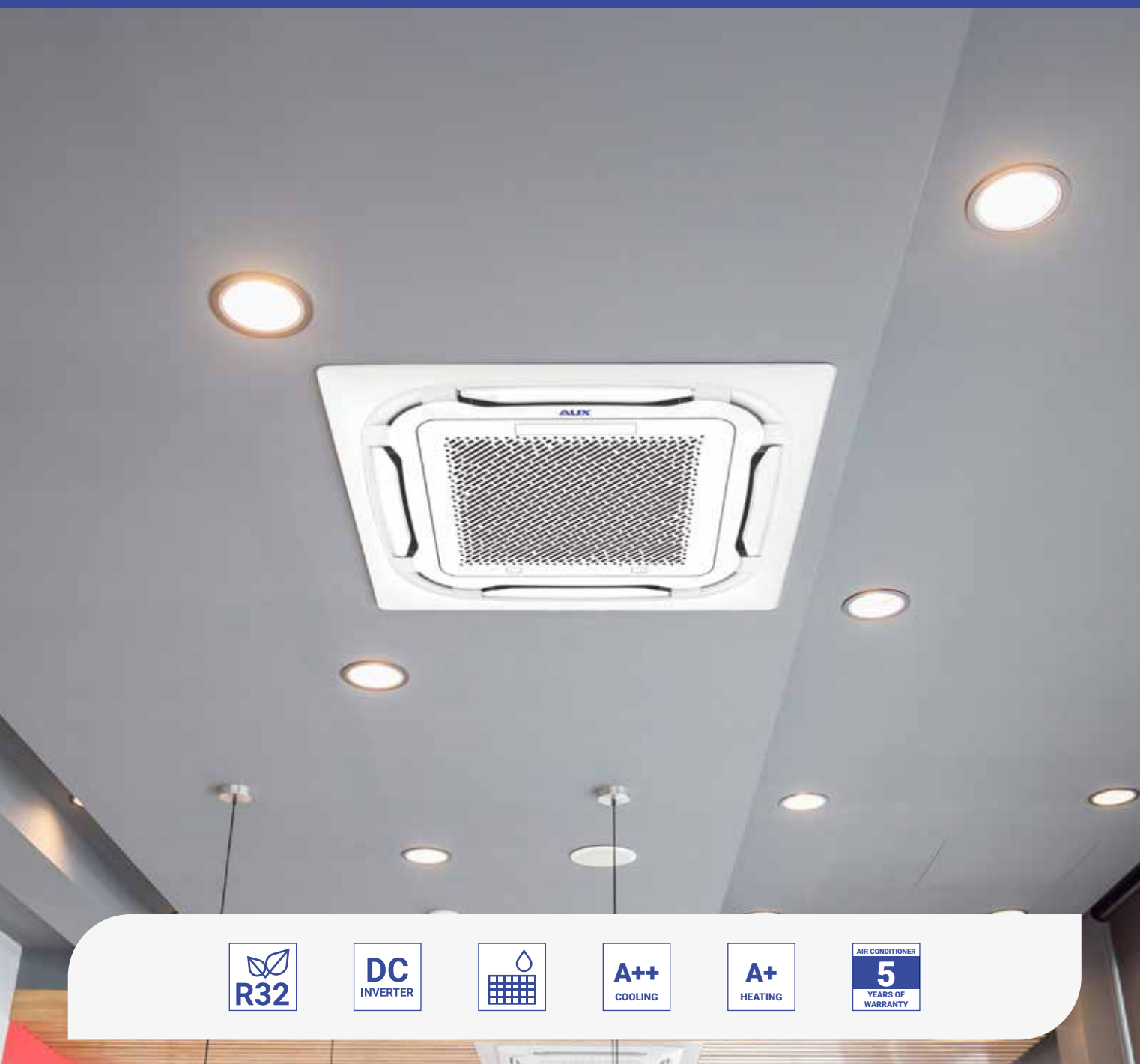
Outdoor unit		AUX-C-42CAO	AUX-C-48CAO	AUX-C-60CAO
Compressor type	-	Rotary	Rotary	Rotary
Airflow (high/medium/low)	[m³/h]	4200	7200	7200
Sound pressure level	[dB(A)]	57	60	60
Sound power level	[dB(A)]	66	70	70
External unit dimensions	[mm]	970 x 409 x 805	940 x 364 x 1325	940 x 364 x 1325
Weight of the outdoor unit (net)	[kg]	72	92	92
Refrigerant	Type	-	R32	R32
	Factory filling [kg]	2,54	3,6	3,6
Pipe Connections (Diameter)	Liquid [mm(inch)]	9,52 (3/8)	9,52 (3/8)	9,52 (3/8)
	Gas [mm(inch)]	15,88 (5/8)	19,05 (3/4)	19,05 (3/4)
	Condensate [mm(inch)]	DN20 (R3/4)	DN20 (R3/4)	DN20 (R3/4)
Maximum pipe length	[m]	65	65	65
Maximum height difference	[m]	30	30	30
Operation of the external unit (external temperature)	Cooling [°C]	15~52	-15~52	-15~52
	Heating [°C]	-22~24	-22~24	-22~24
Temperature operating range	[°C]	16~32	16~32	16~32

Air conditioning devices contain fluorinated greenhouse gases R32.

We reserve the right to errors in descriptions, appearance, functions, technical parameters, and dimensional drawings, which result from the continuous improvement of our devices.

Cassette units

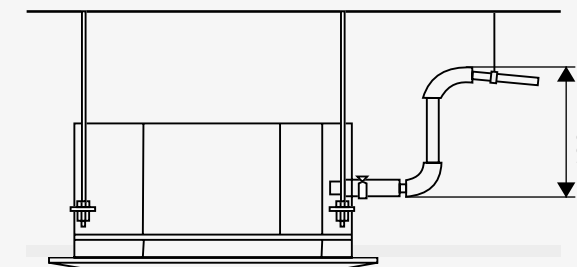
AUX-C-(12/18/24/36/42/48/60)CAC



In-built condensate pump

Lifting height up to 120 cm

The cassette unit comes standard with a condensate pump, allowing for the removal of water condensate up to a height of 120 cm above the level of the condensate tray.



Peripheral airflow 360°

Effective air distribution

Thanks to the specially designed decorative panel, the AUX cassette air conditioner can cool every corner of the room and ensure maximum comfort for all users. Additional outlet holes in the corners of the panel allow air to be blown in all directions, eliminating the possibility of areas with uneven temperature distribution. The peripheral airflow technology provides a 360° supply of cooled air and guarantees efficient air conditioning of rooms, even those with a large surface area.



HEALTH



Washable air filter

ECOLOGY



Refrigerant R32

CONVENIENCE



Wireless controller



Optional Wi-Fi control



Optional wired controller

TECHNOLOGY



Inverter technology



Intelligent defrosting



Hydrophilic aluminum fins



Automatic restart



Cooling at low temperatures

COMFORT



Cooling mode



Fast cooling/heating



Heating mode



Auto mode



Fan mode



Dry mode



Cassette Units

CAC Series

AUX-C-(12/18/24)CAC

Model		AUX-C-12CAC	AUX-C-18CAC	AUX-C-24CAC
Cooling capacity	[kW]	3,60 (1,35 - 4,40)	5,00 (1,53 - 5,60)	7,00 (2,16 - 8,20)
	[Btu/h]	12000 (4600 - 15000)	18000 (5200 - 19100)	24000 (7400 - 28000)
Heating capacity	[kW]	4,20 (1,24 - 5,30)	5,60 (1,40 - 6,20)	8,00 (1,98 - 9,30)
	[Btu/h]	14300 (4200 - 18100)	19100 (4800 - 21200)	27300 (6800 - 31700)
Power supply	[V~,Hz,Ph]	220-240, 50, 1	220-240, 50, 1	220-240, 50, 1
Power consumption	Cooling [kW]	1,08 (0,26 - 1,60)	1,63 (0,47 - 2,30)	2,18 (0,67 - 3,56)
	Heating [kW]	1,23 (0,19 - 1,51)	1,73 (0,46 - 2,25)	2,10 (0,65 - 3,62)
Power consumption	Cooling [A]	4,74 (1,1 - 5,76)	7,16 (2,25 - 10,10)	9,57 (3,21 - 15,63)
	Heating [A]	5,40 (0,78 - 6,6)	7,60 (2,20 - 9,88)	9,22 (3,11 - 15,90)
EER / COP	-	3,33 / 3,41	3,07 / 3,24	3,21 / 3,81
SEER / SCOP	-	6,20 / 4,10	6,30 / 4,00	6,50 / 4,20
Energy efficiency class	Cooling	-	A++	A++
	Heating	-	A+	A+
Indoor unit		AUX-C-12CAC/I	AUX-C-18CAC/I	AUX-C-24CAC/I
Decorative panel	-	AUX-P-01	AUX-P-01	AUX-P-02
Fan motor power	[W]	30	30	50
Fan speed (high/medium/low)	[rpm]	750/700/650	750/700/650	530/470/420
Airflow (high/medium/low)	[m³/h]	700/600/530	700/600/530	1300/1050/950
Sound pressure level (high/medium/low)	[dB(A)]	45/44/36	45/44/36	47/43/38
Sound power level	[dB(A)]	56	56	57
Indoor unit dimensions	[mm]	570 x 570 x 260	570 x 570 x 260	835 x 835 x 250
Indoor unit weight (net)	[kg]	17	17	24
Panel dimensions	[mm]	650 x 650 x 55	650 x 650 x 55	950 x 950 x 55
Panel weight (net)	[kg]	2,2	2,2	5,3
Outdoor unit		AUX-C-12CAO	AUX-C-18CAO	AUX-C-24CAO
Compressor type	-	Rotary	Rotary	Rotary
Airflow (high/medium/low)	[m³/h]	2600	2600	3750
Sound pressure level	[dB(A)]	54	55	58
Sound power level	[dB(A)]	64	64	67
Dimensions of the outdoor unit	[mm]	800 x 315 x 545	800 x 315 x 545	900 x 350 x 700
Weight of the outdoor unit (net)	[kg]	35	37	51
Refrigerant	Type	-	R32	R32
	Factory charge [kg]	0,9	1,16	1,4
Pipe Connections (Diameter)	Liquid [mm(inch)]	6,35 (1/4)	6,35 (1/4)	9,52 (3/8)
	Gas [mm(inch)]	12,7 (1/2)	12,7 (1/2)	15,88 (5/8)
	Condensate [mm(inch)]	DN20 (R3/4)	DN20 (R3/4)	DN20 (R3/4)
Maximum piping length	[m]	25	30	50
Maximum height difference	[m]	10	20	25
Operation of the outdoor unit (outside temperature)	Cooling [°C]	-15~52	-15~52	-15~52
	Heating [°C]	-22~24	-22~24	-22~24
Operating temperature range	[°C]	16~32	16~32	16~32

We reserve the right to make errors in descriptions, appearance, functions, technical parameters, and dimensional drawings due to the continuous improvement of our devices.



CAC Series

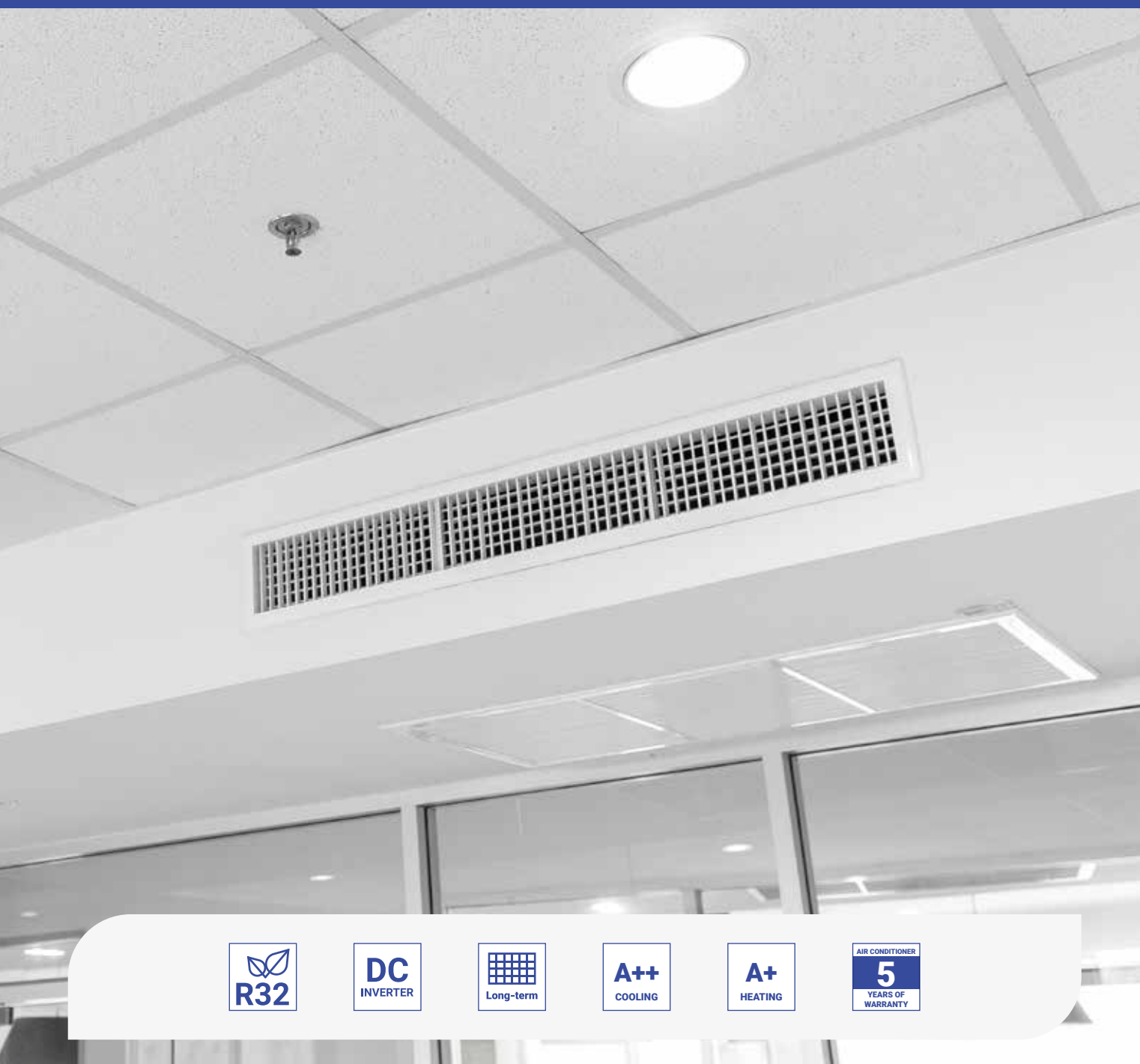
AUX-C-(36/42/48/60)CAC

Model		AUX-C-36CAC	AUX-C-42CAC	AUX-C-48CAC	AUX-C-60CAC
Cooling capacity	[kW]	10,55 (2,90 - 13,00)	12,10 (2,90 - 13,50)	14,00 (4,76 - 16,50)	16,00 (4,76 - 17,50)
	[Btu/h]	36000 (9800 - 44300)	42000 (9800 - 46000)	48000 (16241 - 56298)	55000 (16241 - 59710)
Heating capacity	[kW]	11,15 (2,60 - 13,50)	13,50 (2,60 - 15,00)	16,00 (4,78 - 16,15)	17,00 (4,78 - 18,50)
	[Btu/h]	38000 (8800 - 46000)	46000 (8800 - 51100)	55000 (16309 - 55104)	58000 (16308 - 63122)
Power supply	[V~,Hz,Ph]	220-240, 50, 1	220-240, 50, 1	380-415, 50, 3	380-415, 50, 3
Power consumption	Cooling [kW]	3,4 (0,71 - 4,71)	4,50 (0,71 - 5,10)	5,20 (1,71 - 6,70)	6,10 (1,71 - 6,80)
	Heating [kW]	3,45 (0,47 - 4,13)	4,60 (0,47 - 4,53)	5,40 (1,71 - 6,80)	5,80 (1,71 - 7,10)
Power consumption	Cooling [A]	15,0 (3,2 - 21,5)	19,5 (3,20 - 22,30)	7,53 (2,47 - 9,53)	8,83 (2,47 - 9,70)
	Heating [A]	15,5 (2,43 - 18,0)	20,0 (2,43 - 19,70)	7,80 (2,47 - 9,70)	8,40 (2,47 - 9,83)
EER / COP	-	3,10 / 3,23	2,69 / 2,93	2,69 / 2,96	2,62 / 2,93
SEER / SCOP	-	6,10 / 4,00	6,10 / 4,00	6,10 / 4,00	6,10 / 4,00
Energy efficiency class	Cooling	-	A++	A++	A++
	Heating	-	A+	A+	A+
Indoor unit		AUX-C-36CAC/I	AUX-C-42CAC/I	AUX-C-48CAC/I	AUX-C-60CAC/I
Decorative panel	-	AUX-P-02	AUX-P-02	AUX-P-02	AUX-P-02
Fan motor power	[W]	100	100	100	100
Fan speed (high/medium/low)	[rpm]	700/600/550	700/600/550	700/600/550	700/600/550
Airflow (high/medium/low)	[m³/h]	1800/1550/1350	1800/1550/1350	1950/1750/1500	1950/1750/1500
Sound pressure level (high/medium/low)	[dB(A)]	51/48/45	51/48/45	52/50/48	52/50/48
Sound power level	[dB(A)]	62	62	65	65
Indoor unit dimensions	[mm]	835 x 835 x 290	835 x 835 x 290	835 x 835 x 290	835 x 835 x 290
Indoor unit weight (net)	[kg]	26,5	26,5	31	31
Panel dimensions	[mm]	950 x 950 x 55	950 x 950 x 55	950x950 x 55	950x950 x 55
Panel weight (net)	[kg]	5,3	5,3	5,3	5,3
Outdoor unit		AUX-C-36CAO	AUX-C-42CAO	AUX-C-48CAO	AUX-C-60CAO
Compressor type	-	Rotary	Rotary	Rotary	Rotary
Airflow (high/medium/low)	[m³/h]	4000	4200	7200	7200
Sound pressure level	[dB(A)]	57	57	60	60
Sound power level	[dB(A)]	66	66	70	70
Dimensions of the outdoor unit	[mm]	970 x 409 x 805	970 x 409 x 805	940 x 364 x 1325	940 x 364 x 1325
Weight of the outdoor unit (net)	[kg]	72	72	92	92
Refrigerant	Type	-	R32	R32	R32
	Factory charge [kg]	2,54	2,54	3,6	3,6
Pipe Connections (Diameter)	Liquid [mm(inch)]	9,52 (3/8)	9,52 (3/8)	9,52 (3/8)	9,52 (3/8)
	Gas [mm(inch)]	15,88 (5/8)	15,88 (5/8)	19,05 (3/4)	19,05 (3/4)
	Condensate [mm(inch)]	DN20 (R3/4)	DN20 (R3/4)	DN20 (R3/4)	DN20 (R3/4)
Maximum piping length	[m]	65	65	65	65
Maximum height difference	[m]	30	30	30	30
Operation of the outdoor unit (outside temperature)	Cooling [°C]	-15~52	-15~52	-15~52	-15~52
	Heating [°C]	-22~24	-22~24	-22~24	-22~24
Operating temperature range	[°C]	16~32	16~32	16~32	16~32

We reserve the right to make errors in descriptions, appearance, functions, technical parameters, and dimensional drawings due to the continuous improvement of our devices.

Duct units

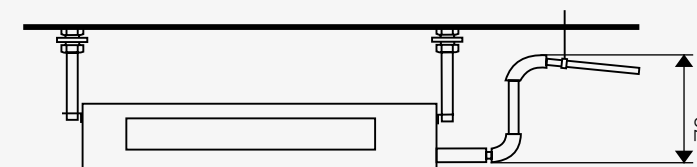
AUX-C-(18/24/30/36/42/48/60)CAD



In-built condensate pump

Lifting height up to 70 cm

The AUX duct unit can be additionally equipped with a condensate pump, allowing the discharge of water condensate up to 70 cm above the drip tray level.

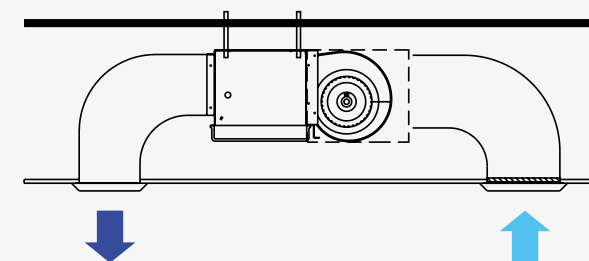


Flexible installation

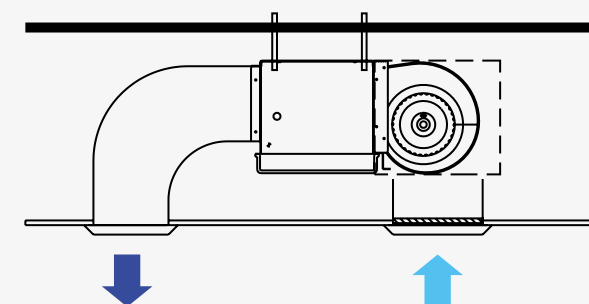
Two air intake options

The design of the duct unit allows for two air intake options, providing great flexibility in installation planning. By default, the air intake is located at the rear of the unit. However, if the room layout requires it, air can also be drawn in through the bottom intake opening (optional).

The air inlet is located at the rear of the unit



The air inlet is located at the bottom of the unit



HEALTH



Durable air filter

ECOLOGY



Refrigerant R32

CONVENIENCE



Optional Wi-Fi control



Wired controller

COMFORT



Cooling mode



Fast cooling/heating



Heating mode



Automatic mode



Fan mode



Dry mode

TECHNOLOGY



Inverter technology



Intelligent defrosting



Hydrophilic aluminum blades



Automatic restart



Cooling at low temperatures



Built-in condensate pump

We reserve the right to make errors in descriptions, appearance, functions, technical parameters, and dimensional drawings due to the continuous improvement of our devices.

A NEW DIMENSION OF QUALITY



Duct units

CAD Series

AUX-C-(18/24/30)CAD

Model		AUX-C-18CAD	AUX-C-24CAD	AUX-C-30CAD
Cooling capacity	[kW]	5,00 (1,53 - 5,60)	7,00 (2,16 - 8,20)	8,40 (2,49 - 9,20)
	[Btu/h]	18000 (5200 - 19100)	24000 (7400 - 28000)	28660 (8490 - 31390)
Heating capacity	[kW]	5,60 (1,40 - 6,20)	8,00 (1,98 - 9,30)	9,00 (2,86 - 9,60)
	[Btu/h]	19100 (4800 - 21200)	27300 (6800 - 31700)	30700 (9760 - 32760)
Power supply	[V~,Hz,Ph]	220-240, 50, 1	220-240, 50, 1	220-240, 50, 1
Power consumption	Cooling [kW]	1,55 (0,47 - 2,30)	2,12 (0,67 - 3,56)	3,09 (0,71 - 3,70)
	Heating [kW]	1,49 (0,46 - 2,25)	2,12 (0,65 - 3,62)	2,86 (0,67 - 3,70)
Power consumption	Cooling [A]	6,73 (2,25 - 10,10)	9,22 (3,21 - 15,63)	13,43 (3,09 - 16,25)
	Heating [A]	6,80 (2,20 - 9,88)	9,60 (3,11 - 15,90)	12,50 (2,91 - 16,25)
EER / COP	-	3,23 / 3,76	3,30 / 3,77	2,72 / 3,15
SEER / SCOP	-	6,20 / 4,00	6,10 / 4,00	6,10 / 4,10
Energy efficiency class	Cooling	A++	A++	A++
	Heating	A+	A+	A+
Indoor unit		AUX-C-18CAD/I	AUX-C-24CAD/I	AUX-C-30CAD/I
Fan motor power	[W]	200	200	200
Fan speed (high/medium/low)	[rpm]	1020/915/855	1200/1065/960	1350/1245/1110
Airflow (high/medium/low)	[m³/h]	1150/960/840	1400/1190/980	1600/1400/1100
Sound pressure level (high/medium/low)	[dB(A)]	43/41/40	44/41/39	46/44/41
Sound power level	[dB(A)]	53	55	57
Indoor unit dimensions	[mm]	700 x 700 x 245	1000 x 700 x 245	1000 x 700 x 245
Indoor unit weight (net)	[kg]	31	32	32
Outdoor unit		AUX-C-18CAO	AUX-C-24CAO	AUX-C-30CAO
Compressor type	-	Rotary	Rotary	Rotary
Airflow (high/medium/low)	[m³/h]	2600	3750	3800
Sound pressure level	[dB(A)]	55	58	57
Sound power level	[dB(A)]	64	67	68
Outdoor unit dimensions	[mm]	800 x 315 x 545	900 x 350 x 700	970 x 395 x 805
Outdoor unit weight (net)	[kg]	37	51	65
Refrigerant	Type	-	R32	R32
	Factory charge [kg]	1,16	1,4	1,60
Pipe Connections (Diameter)	Liquid [mm(inch)]	6,35 (1/4)	9,52 (3/8)	9,52 (3/8)
	Gas [mm(inch)]	12,7 (1/2)	15,88 (5/8)	15,88 (5/8)
	Condensate [mm(inch)]	DN20 (R3/4)	DN20 (R3/4)	DN20 (R3/4)
Maximum piping length	[m]	30	50	50
Maximum height difference	[m]	20	25	25
Outdoor unit operation (outdoor temperature)	Cooling [°C]	-15~52	-15~52	-15~52
	Heating [°C]	-22~24	-22~24	-22~24
Operating temperature range	[°C]	16~32	16~32	16~32

Air conditioning units contain fluorinated greenhouse gases R32.

We reserve the right to errors in descriptions, appearance, features, technical parameters, and dimensional drawings resulting from the continuous improvement of our devices.



CAD Series

AUX-C-(36/42/48/60)CAD

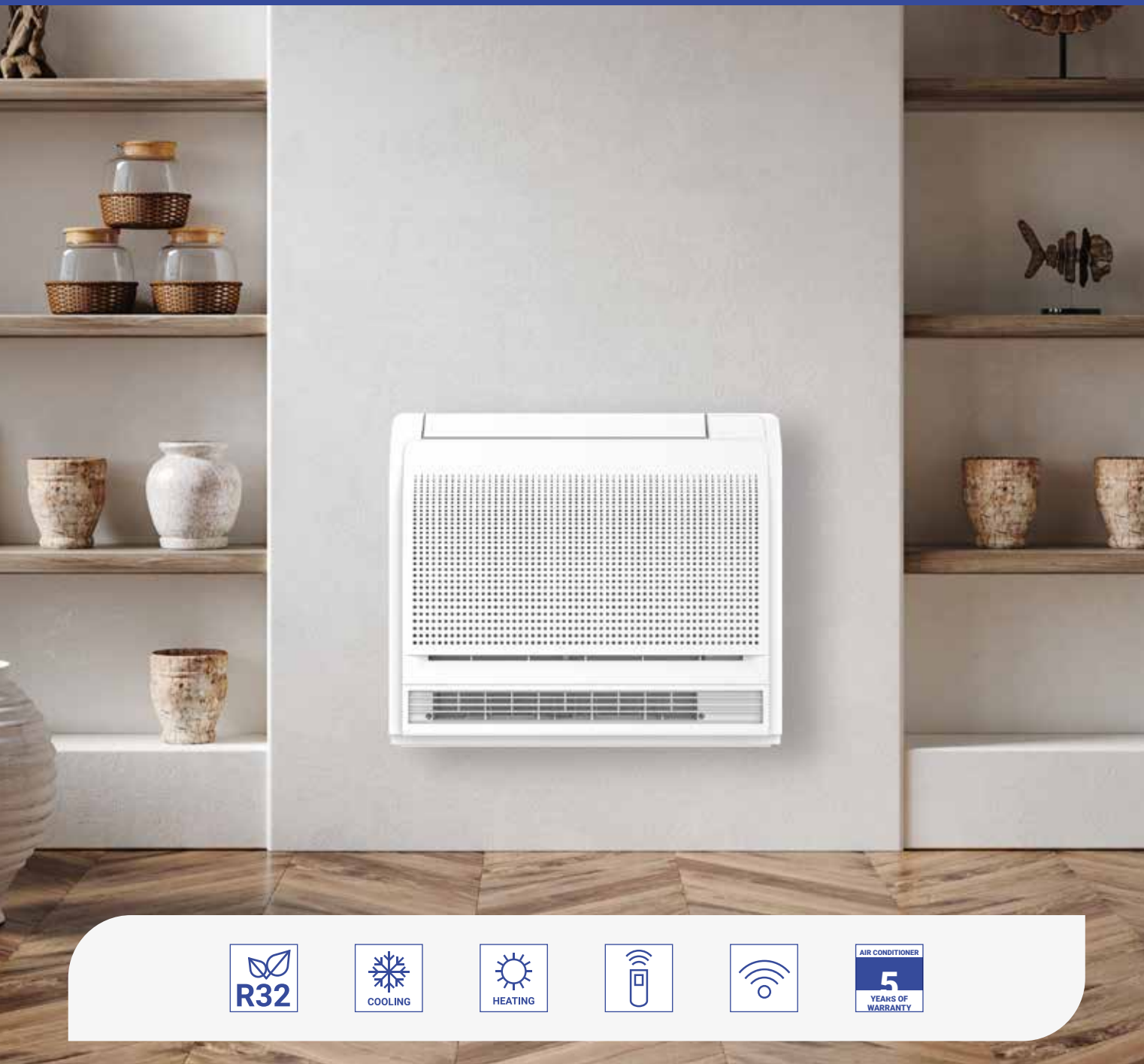
Model		AUX-C-36CAD	AUX-C-42CAD	AUX-C-48CAD	AUX-C-60CAD
Cooling capacity	[kW]	10,55 (2,90 - 13,00)	12,10 (2,90 - 13,50)	14,00 (4,76 - 16,50)	16,00 (4,76 - 17,50)
	[Btu/h]	36000 (9800 - 44300)	42000 (9800 - 46000)	48000 (16241 - 56298)	55000 (16241 - 59710)
Heating capacity	[kW]	11,15 (2,60 - 13,50)	13,50 (2,60 - 15,00)	16,00 (4,78 - 16,15)	17,00 (4,78 - 18,50)
	[Btu/h]	38000 (8800 - 46000)	46000 (8800 - 51100)	55000 (16309 - 55104)	58000 (16308 - 63122)
Power supply	[V~,Hz,Ph]	220-240, 50, 1	220-240, 50, 1	380-415, 50, 3	380-415, 50, 3
Power consumption	Cooling [kW]	3,40 (0,71 - 4,71)	4,43 (0,71 - 5,10)	5,00 (1,71 - 6,60)	5,88 (1,71 - 6,70)
	Heating [kW]	3,45 (0,47 - 4,13)	4,60 (0,47 - 4,53)	5,00 (1,71 - 6,70)	5,60 (1,71 - 6,80)
Power consumption	Cooling [A]	15,00 (3,20 - 21,50)	19,00 (3,20 - 22,30)	7,93 (2,47 - 9,53)	9,00 (2,47 - 9,70)
	Heating [A]	15,50 (2,43 - 18,00)	20,00 (2,43 - 19,70)	8,23 (2,47 - 9,70)	8,53 (2,47 - 9,83)
EER / COP	-	3,10 / 3,23	2,73 / 2,93	2,80 / 3,20	2,72 / 3,04
SEER / SCOP	-	6,10 / 4,10	6,10 / 4,10	6,10 / 4,00	6,10 / 4,00
Energy efficiency class	Cooling	A++	A++	A++	A++
	Heating	A+	A+	A+	A+
Indoor unit		AUX-C-36CAD/I	AUX-C-42CAD/I	AUX-C-48CAD/I	AUX-C-60CAD/I
Fan motor power	[W]	300	300	300	300
Fan speed (high/medium/low)	[rpm]	1185/1095/1020	1185/1095/1020	1425/1305/1200	1425/1305/1200
Airflow (high/medium/low)	[m³/h]	1900/1600/1400	1900/1600/1400	2300/2000/1700	2300/2000/1700
Sound pressure level (high/medium/low)	[dB(A)]	44/41/39	44/41/39	52/49/47	52/49/47
Sound power level	[dB(A)]	55	55	64	64
Indoor unit dimensions	[mm]	1400 x 700 x 245	1400 x 700 x 245	1400 x 700 x 245	1400 x 700 x 245
Indoor unit weight (net)	[kg]	42	42	42	42
Outdoor unit		AUX-C-36CAO	AUX-C-42CAO	AUX-C-48CAO	AUX-C-60CAO
Compressor type	-	Rotary	Rotary	Rotary	Rotary
Airflow (high/medium/low)	[m³/h]	4000	4200	7200	7200
Sound pressure level	[dB(A)]	57	57	60	60
Sound power level	[dB(A)]	66	66	70	70
Outdoor unit dimensions	[mm]	970 x 409 x 805	970 x 409 x 805	940 x 364 x 1325	940 x 364 x 1325
Outdoor unit weight (net)	[kg]	72	72	92	92
Refrigerant	Type	-	R32	R32	R32
	Factory charge [kg]	2,54	2,54	3,6	3,6
Pipe Connections (Diameter)	Liquid [mm(inch)]	9,52 (3/8)	9,52 (3/8)	9,52 (3/8)	9,52 (3/8)
	Gas [mm(inch)]	15,88 (5/8)	15,88 (5/8)	19,05 (3/4)	19,05 (3/4)
	Condensate [mm(inch)]	DN20 (R3/4)	DN20 (R3/4)	DN20 (R3/4)	DN20 (R3/4)
Maximum piping length	[m]	65	65	65	65
Maximum height difference	[m]	30	30	30	30
Outdoor unit operation (outdoor temperature)	Cooling [°C]	-15~52	-15~52	-15~52	-15~52
	Heating [°C]	-22~24	-22~24	-22~24	-22~24
Operating temperature range	[°C]	16~32	16~32	16~32	16~32

Air conditioning units contain fluorinated greenhouse gases R32.

We reserve the right to errors in descriptions, appearance, features, technical parameters, and dimensional drawings resulting from the continuous improvement of our devices.

Console-type air conditioner

AUX-16K



High-quality compressor

Both indoor and outdoor units utilize advanced DC inverter technology, which is characterized by high efficiency and energy savings. As a result, these systems operate more efficiently, significantly reducing energy consumption. Inverter technology allows for smooth power adjustment to match the current needs of the devices, eliminating energy losses caused by frequent on-and-off cycling. Additionally, DC inverters extend the lifespan of the units by reducing mechanical and thermal stress. Consequently, users can enjoy lower energy bills and more reliable system performance.



Model		AUX-K16	
Cooling capacity	[kW]	4,70 (1,53 - 5,60)	
	[Btu/h]	16036 (5200 - 19100)	
Heating capacity	[kW]	5,00 (1,40 - 6,20)	
	[Btu/h]	17060 (4800 - 21200)	
Power supply	[V~,Hz,Ph]	220-240, 50&60/1	
Cooling power consumption	[W]	1450	
Heating power consumption	[W]	1340	
Fan motor power	[W]	35	
Fan speed (high / medium / low)	[rpm]	690/610/550/480	
Airflow (high / medium / low)	[m3/h]	650/550/450	
Sound pressure level	[dB(A)]	44/40/37	
Sound power level	[dB(A)]	56	
Dimensions of the unit (width x depth x height)	[mm]	700 x 225 x 600	
Weight of the unit (net)	[kg]	15	
Refrigerant	-	R32	
Pipe Connections (Diameter)	Liquid	[mm(inch)]	6,35 (1/4)
	Gas	[mm(inch)]	12,7 (1/2)
	Skropliny	[mm]	20

ECOLOGY



Refrigerant R32

CONVENIENCE



Self-diagnosis function



24H Timer



LED Display



Built-in Wi-Fi module



Wireless controller

COMFORT



Cooling mode



Heating mode



Quick cooling/heating



Fan mode



Auto mode

COMFORT



Dry mode



I FEEL function



Vertical air louver movement

TECHNOLOGY



Inverter technology



Automatic restart



Intelligent defrosting



We reserve the right to make errors in descriptions, appearance, functions, technical parameters, and dimensional drawings due to the ongoing improvement of our devices.

A NEW DIMENSION OF QUALITY

AUX
AIR CONDITIONER

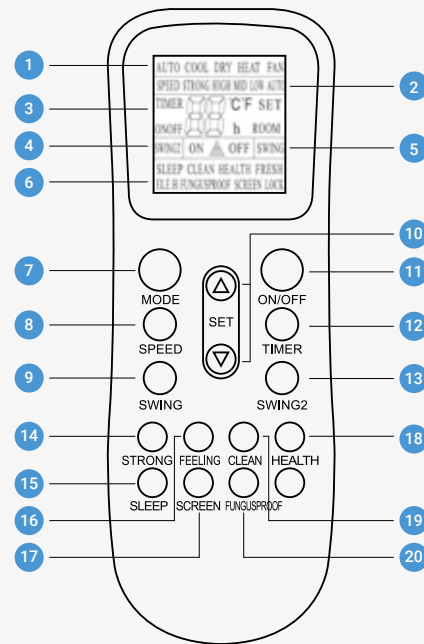


Controllers
and accessories

Wireless controller type K

Application (standard):

Application (option): ducted air conditioners LCAC



FUNCTIONS

- Turning on/off (ON/OFF)
- Fan speed setting
- Temperature setting 16°C-32°C
- Mode setting
- Vertical/horizontal swing
- Timer
- I FEEL function
- High fan speed STRONG
- Sleep mode
- Turning the LCD display on/off
- Self-cleaning function CLEAN
- Drying function and fungus protection FUNGUS PROOF

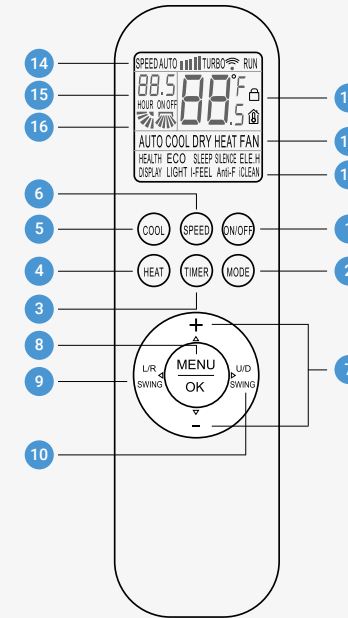
- | | |
|---|---|
| 1 Operation mode display | 11 Turning the air conditioner on/off |
| 2 Fan speed display | 12 Timer function setting button |
| 3 Temperature, time, timer, etc. display | 13 Vertical louver movement selection button |
| 4 Airflow direction display | 14 Quick cooling/heating function |
| 5 Turning the LCD display on/off | 15 Night mode function |
| 6 Function display | 16 "I FEEL" temperature sensing function |
| 7 Mode selection button for the air conditioner | 17 Turning the LCD display on/off |
| 8 Fan speed selection button | 18 HEALTH function |
| 9 Horizontal louver movement selection button | 19 Self-cleaning function |
| 10 Temperature range setting from 16°C do 32°C | 20 Dehumidifying and mold protection function |

Note: The illustration is a general depiction of the remote control and includes almost all functional buttons. There may be slight variations from the actual object (depending on the model).

Wireless controller type T

Application (standard): wall-mounted Halo air conditioners, wall-mounted Halo Deluxe air conditioners, wall-mounted J-Smart RAC air conditioners, wall-mounted J-Smart ART RAC air conditioners, wall-mounted Q-Smart Premium RAC air conditioners, wall-mounted Q-Smart Premium Grey RAC air conditioners

Application (option):



FUNCTIONS

- Turning on/off (ON/OFF)
- Fan speed setting
- Temperature setting 16°C-32°C
- Mode setting
- Vertical/horizontal swing
- Timer
- I FEEL function
- TURBO mode
- SLEEP mode
- Auxiliary electric heater function (ELE. H.)
- LCD display on/off
- CLEAN self-cleaning function
- SILENCE mode
- Dehumidifying & fungus protection
- ECO mode
- Intelligent backlight function
- HEALTH function
- Child lock

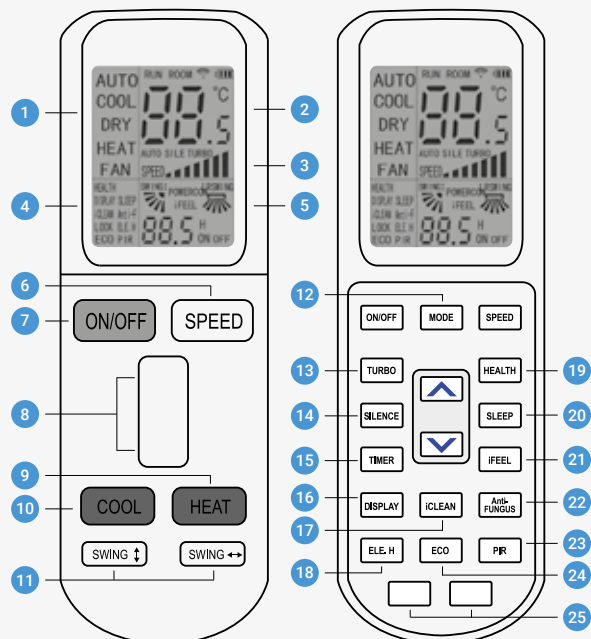
- | | |
|---|--|
| 1 Power on/off the air conditioner | 9 Button for selecting vertical louver movement |
| 2 Mode selection button for the air conditioner | 10 Button for selecting horizontal louver movement |
| 3 Timer setting button | 11 Temperature display |
| 4 Heating mode direct activation button | 12 Operating mode display |
| 5 Cooling mode direct activation button | 13 Function display |
| 6 Fan speed selection button | 14 Fan speed display |
| 7 Setting the temperature range from 16°C to 32°C | 15 Timer function display |
| 8 Button for selecting the function mode | 16 Vertical and horizontal louver settings display |

Note: The drawing is a general representation of the remote control, including most function buttons. It may slightly differ from the actual object (depends on the model).

Wireless controller type L

Application (standard): CAC cassette air conditioners, CAC floor-ceiling air conditioners, Freedom Plus RAC wall-mounted air conditioners, Q-Smart RAC wall-mounted air conditioners

Application (optional): CAC ducted air conditioners



FUNCTIONS

- Turning on/off (ON/OFF)
- Fan speed setting
- Temperature setting 16°C-32°C
- Mode setting
- Vertical/Horizontal swing
- Timer
- I FEEL function
- TURBO mode
- High fan speed
- Sleep mode
- LCD display ON/OFF
- CLEAN self-cleaning function
- SILENCE quiet mode
- Dehumidifying & fungus protection
- ECO economical mode
- Backlit remote display

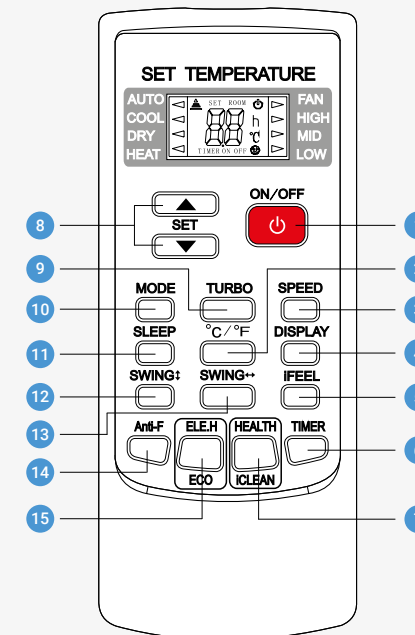
- | | |
|--|--|
| 1 Operation mode display | 14 Silent operation mode |
| 2 Temperature display | 15 Timer setting button |
| 3 Fan speed display | 16 LCD display on/off button |
| 4 Function display | 17 Self-cleaning function |
| 5 Display for air louver movement, I FEEL, etc | 18 On/Off auxiliary heater for the indoor unit |
| 6 Fan speed selection button | 19 HEALTH function |
| 7 Turning the air conditioner on/off | 20 Night mode function |
| 8 Setting the temperature range from 16°C to 32°C | 21 Intelligent temperature sensing function "I FEEL" |
| 9 Heating mode | 22 Dehumidifying and mold protection function |
| 10 Cooling mode | 23 Selection of horizontal air louvers position |
| 11 Buttons for horizontal and vertical louver movement | 24 Economical operation mode |
| 12 Mode selection buttons | 25 Addressing settings |
| 13 TURBO function - maximum fan speed | |

Note: The drawing is a general representation of the remote control, including most function buttons. It may slightly differ from the actual object (depends on the model).

Wireless controller type H

Application (standard): AUX-12MI portable air conditioners

Application (option):



FUNCTIONS

- Turning on/off (ON/OFF)
- Fan speed adjustment
- Temperature setting 16°C-32°C
- Mode selection
- Vertical/Horizontal swing
- Timer
- I FEEL function
- TURBO mode
- Night mode
- Auxiliary electric heater function (ELE. H.)
- LCD display ON/OFF
- Self-cleaning function CLEAN
- HEALTH function
- Dehumidifying & fungus protection
- ECO mode

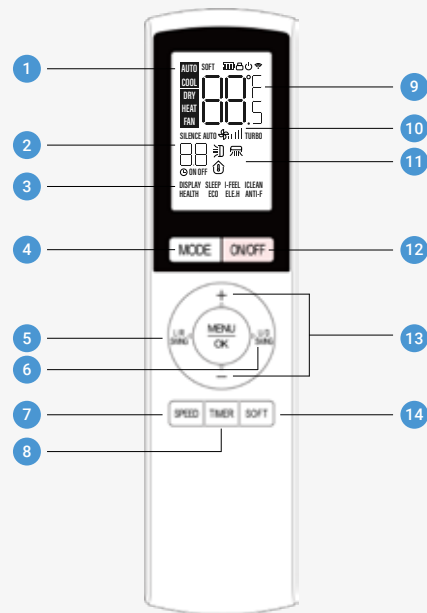
- | | |
|---------------------------------------|--|
| 1 Turning the air conditioner on/off | 9 TURBO function - highest fan speed |
| 2 Setting the temperature range | 10 Button to select the air conditioner operating mode |
| 3 Fan speed selection button | 11 Buttons to select the night mode |
| 4 Display on/off | 12 Buttons to select the horizontal louver movement |
| 5 I FEEL temperature sensing function | 13 Function to select the vertical louver movement |
| 6 Timer setting button | 14 Fungus protection function |
| 7 HEALTH/cleaning function button | 15 Button for turning the electric auxiliary heater on/off/economic mode ECO |

Note: The drawing is a general representation of the remote control, including most function buttons. It may slightly differ from the actual object (depends on the model).

Wireless controller type C

Application (standard): Wall-mounted air conditioners C-Pro, wall-mounted air conditioners C-Smart

Application (optional):



FUNCTIONS

- Turning on/off (ON/OFF)
- Fan speed setting
- Temperature setting 16°C-32°C
- Mode setting
- Vertical/horizontal swing
- Timer
- I FEEL function
- TURBO mode
- Night mode (SLEEP)
- Auxiliary electric heater function (ELE. H.)
- LCD display on/off
- Self-cleaning function (CLEAN)
- Quiet mode (SILENCE)
- Dehumidifying and anti-fungus function
- Eco mode (ECO)
- Intelligent backlighting function
- HEALTH function
- Child lock

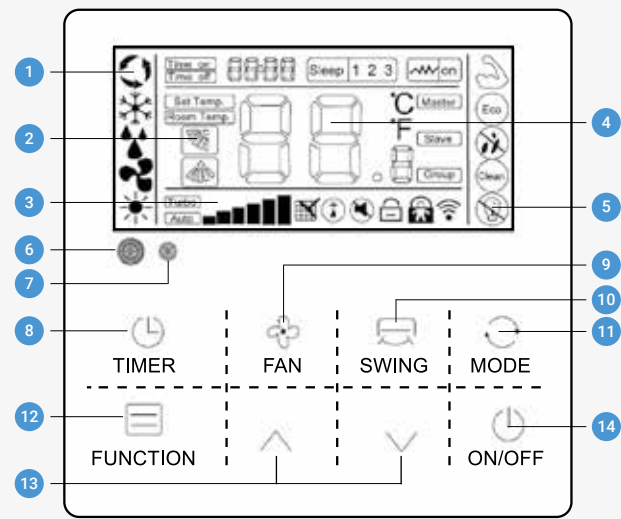
- 1 Mode display
- 2 Timer display
- 3 Function display
- 4 Mode selection buttons
- 5 Vertical louver movement button
- 6 Horizontal louver movement button
- 7 Fan speed selection button
- 8 Timer setting button
- 9 Temperature display
- 10 Fan speed display
- 11 Louver movement display, I FEEL, etc.
- 12 Turning the air conditioner on/off
- 13 Temperature range setting from 16°C to 32°C
- 14 Gentle air breeze function

Note: The drawing is a general representation of the remote control, including most function buttons. It may slightly differ from the actual object (depends on the model).

Wireless controller type XK-05

Application (standard): Channel air conditioners CAC

Application (optional):



FUNCTIONS

- Touch panel with 8 buttons
- LCD display with white backlight
- Turning on/off (ON/OFF)
- Fan speed adjustment
- Temperature setting from 16°C to 32°C
- Self-cleaning function (CLEAN)
- TURBO mode
- Quiet operation mode
- Vertical/horizontal swing
- Night mode (SLEEP)
- Energy-saving mode (ECO)
- Light sensor function "Light Sensation"
- Mold prevention function „Mildew-proof"
- Filter contamination signal
- Ambient temperature sensor
- Receiver for wireless remote control signal
- Buzzer sound function
- Display of main controller errors

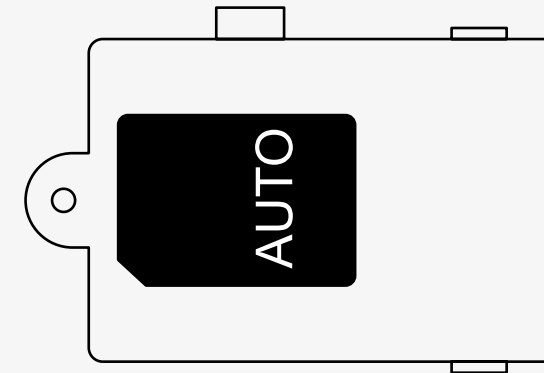
- 1 Mode display
- 2 Airflow louver movement display
- 3 Fan speed display
- 4 Temperature display
- 5 Function display
- 6 Infrared receiver
- 7 Light sensor
- 8 Timer button
- 9 Fan speed button
- 10 Airflow direction button
- 11 Mode selection button
- 12 Function button
- 13 Adjustment button
- 14 Turning on/off the air conditioner

Note: The drawing is a general representation of the remote control, including most function buttons. It may slightly differ from the actual object (depends on the model).

Optional Wi-Fi module

Application (standard): Cassette air conditioners CAC, ducted air conditioners CAC, floor-ceiling air conditioners CAC, floor-ceiling air conditioners MULTI, cassette air conditioners MULTI, ducted air conditioners MULTI.

Application (optional):



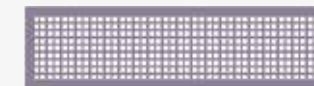
Operating temperature	0°C - 50°C
Operating environment humidity	20 - 90% relative humidity
Dimensions	72 mm x 52 mm x 15,5 mm
Configuration cable length	1500 mm

Optional filters for RAC wall-mounted air conditioners



Activated carbon filter

The activated carbon filter, due to its excellent adsorption properties, can quickly absorb harmful gases in the air, such as formaldehyde and ammonia. By effectively trapping organic compounds, the carbon filter also neutralizes unpleasant odors.



PM 2.5 filter

The PM2.5 filter captures fine particulate matter (PM10, PM2.5) suspended in the air, which are major components of smog and some of the most harmful atmospheric pollutants to human health. The filter removes 99.9% of these contaminants, ensuring clean and healthy air in the air-conditioned space.



Vitamin C filter

The filter releases vitamin C into the room's air, which is absorbed by the human skin. Vitamin C enhances skin firmness by stimulating collagen production, protects against harmful UV radiation, and can even help reduce stress levels. The lifespan of the vitamin C filter is approximately 2 years.



Silver ion filter

The highly efficient filter has strong antibacterial and antiseptic properties, ensuring high air quality in the room. Silver ions have a powerful ability to attract bacteria, fungi, and other microorganisms. They penetrate the internal structure of microbial cells, causing them to die. Thanks to their self-regenerating capabilities, silver ions provide long-term and continuous protection against the growth of airborne bacteria.



Antibacterial filter

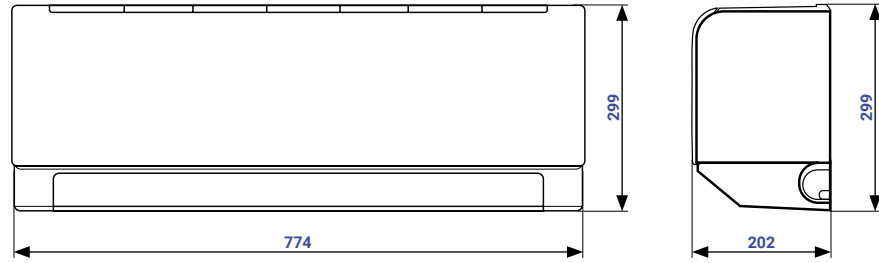
The antibacterial filter sterilizes all types of bacteria. Dust and airborne microorganisms are trapped on the filter's antibacterial surface. Thanks to the bactericidal substances present, the growth of these microorganisms is effectively inhibited.

Dimensional drawings

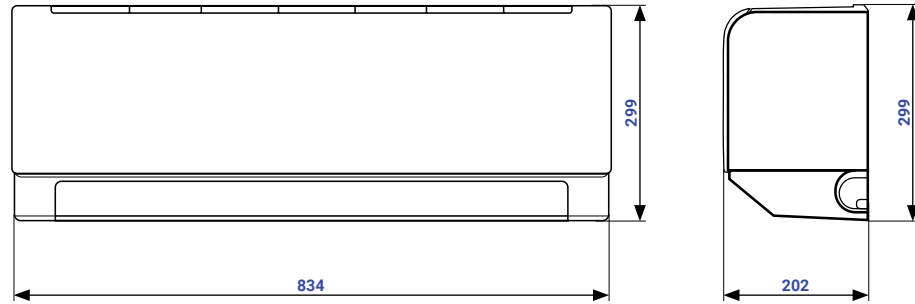
Wall-mounted RAC units

C-Smart

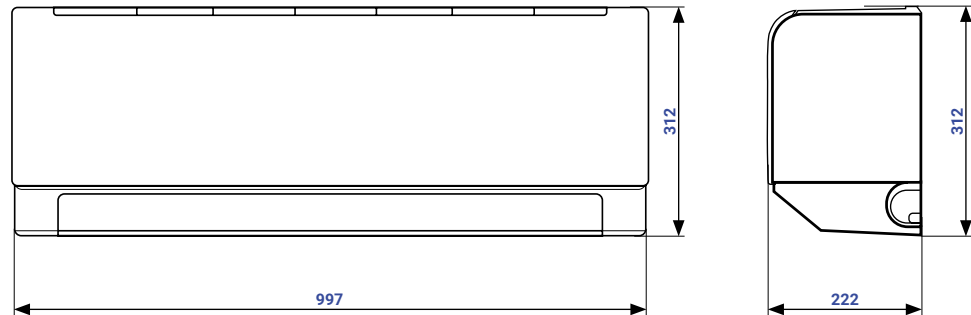
AUX-09CA AUX-09CAA AUX-12CAA



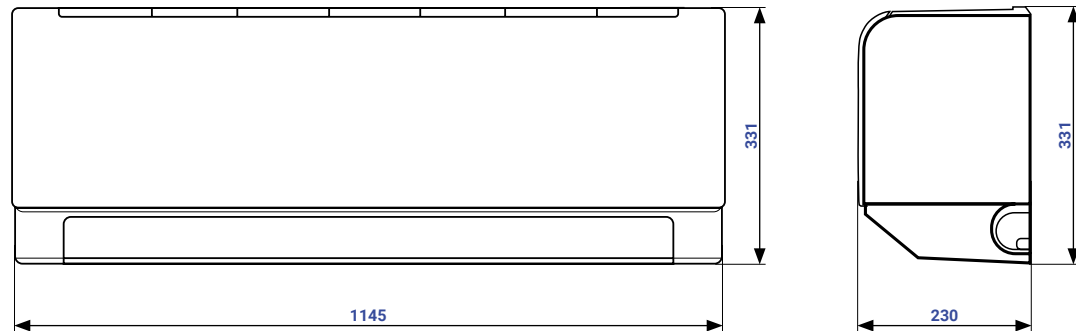
AUX-12CA



AUX-18CA

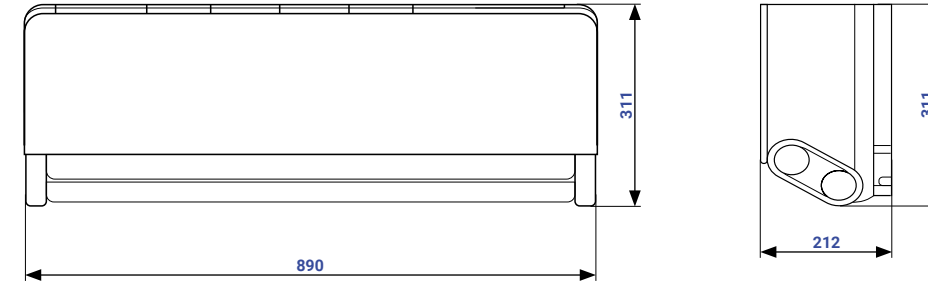


AUX-24CA

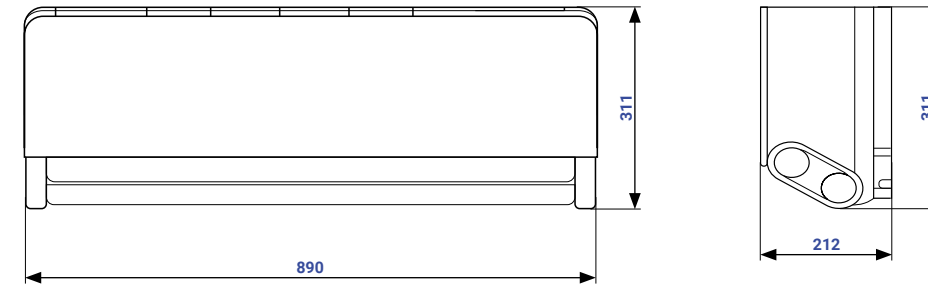


C-Pro

AUX-09PRO



AUX-12PRO

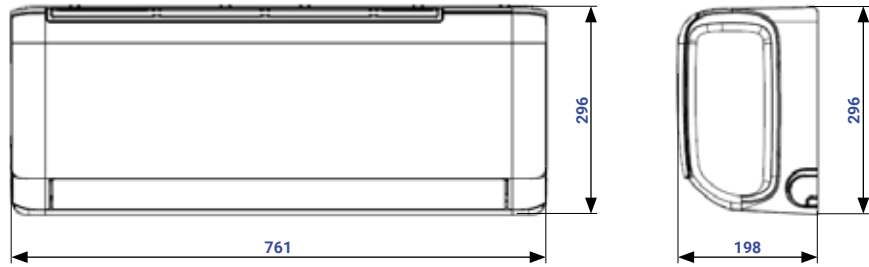


Dimensional drawings

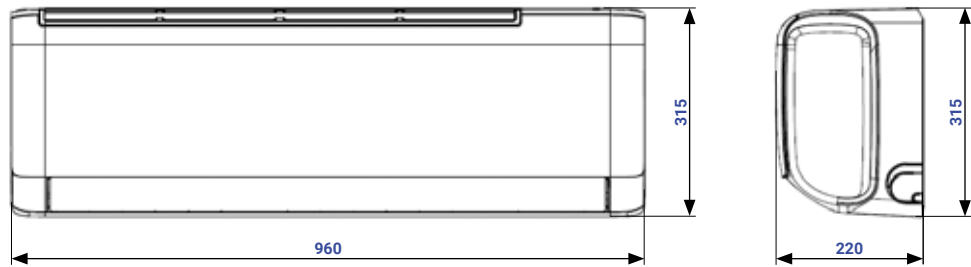
Wall-mounted RAC units

Q-Smart Plus

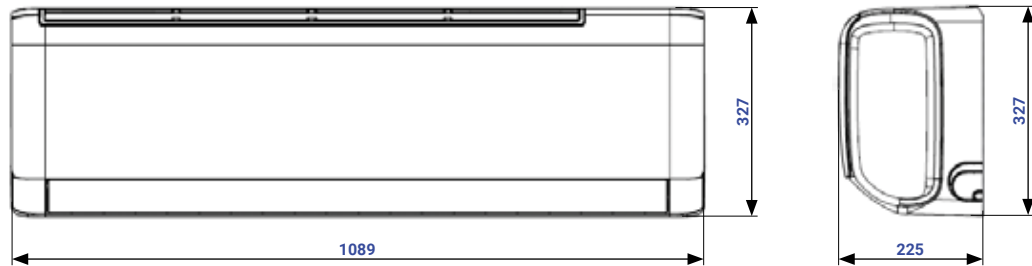
AUX-09QC AUX-12QC



AUX-18QC

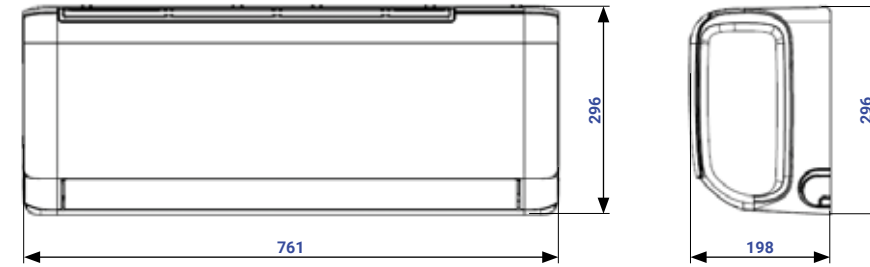


AUX-24QC

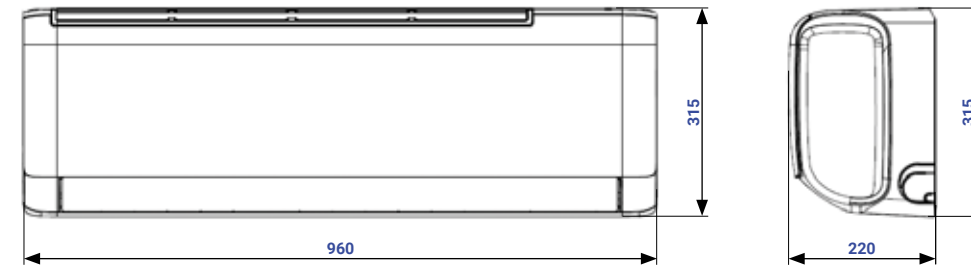


Q-Smart Premium

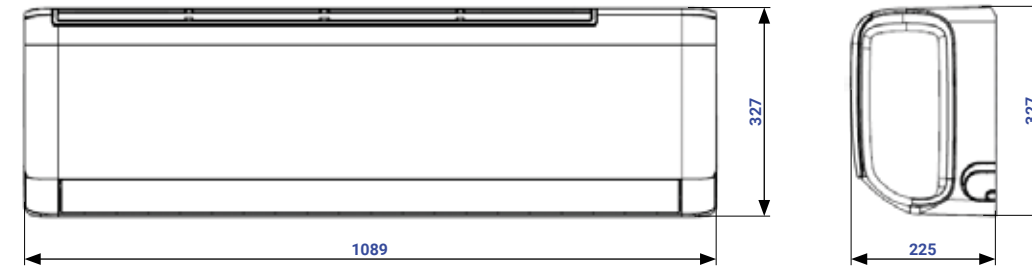
AUX-09QP AUX-12QP



AUX-18QP



AUX-24QP

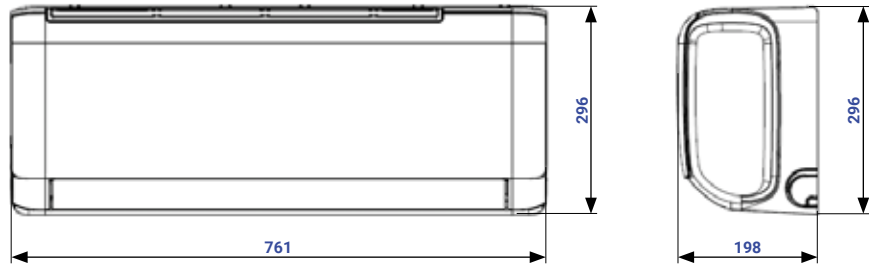


Dimensional drawings

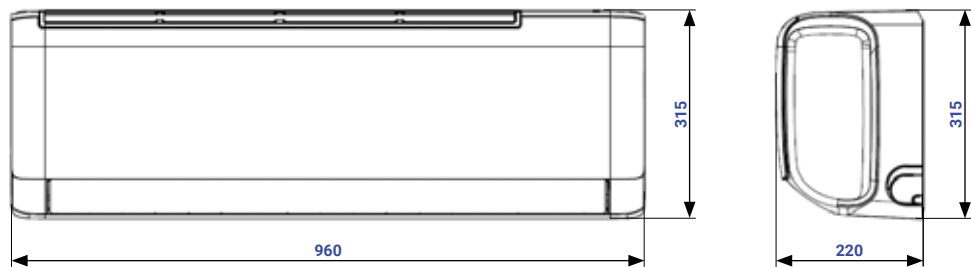
Wall-mounted RAC units

Q-Smart Premium Grey

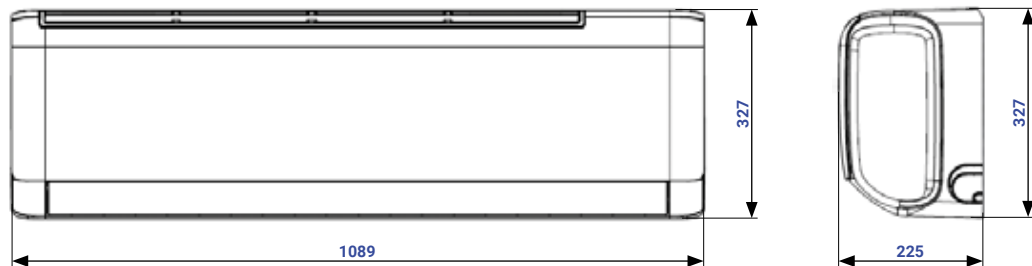
AUX-09QB AUX-12QB



AUX-18QB

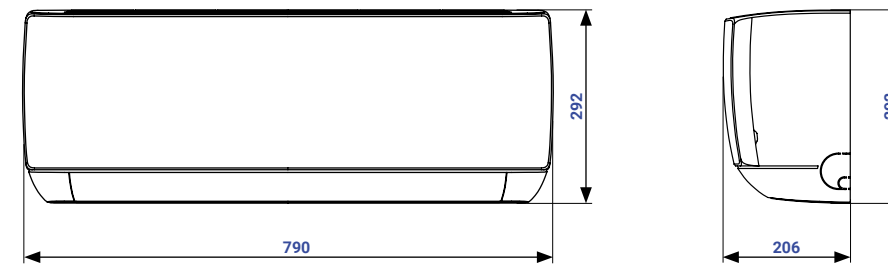


AUX-24QB

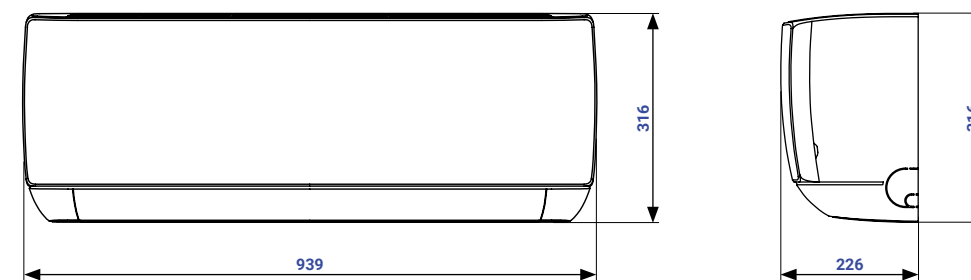


J-Smart

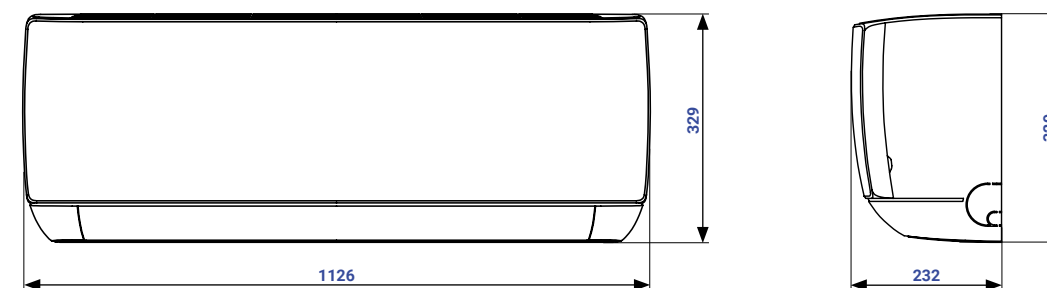
AUX-09J20 AUX-12J20



AUX-18J20



AUX-24J20

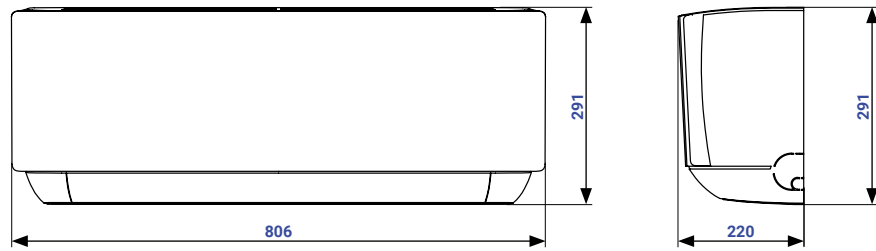


Dimensional drawings

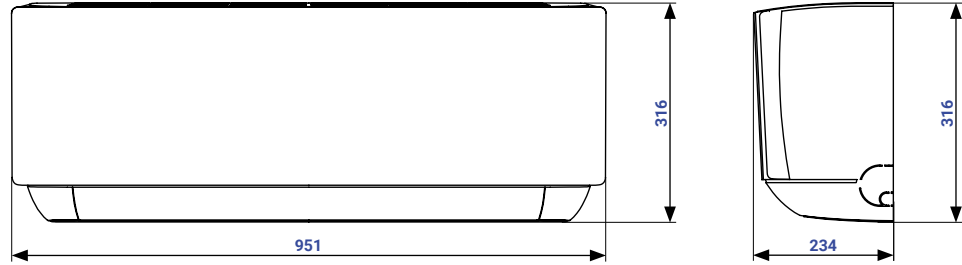
Wall-mounted RAC units

J-Smart Art

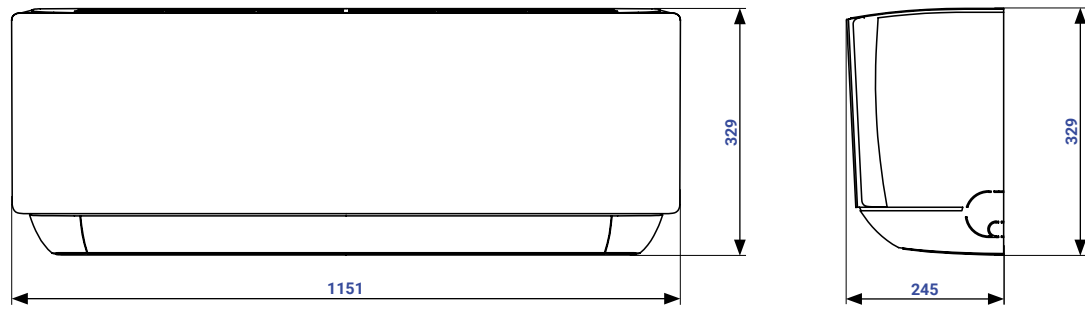
AUX-09JP AUX-12JP



AUX-18JP

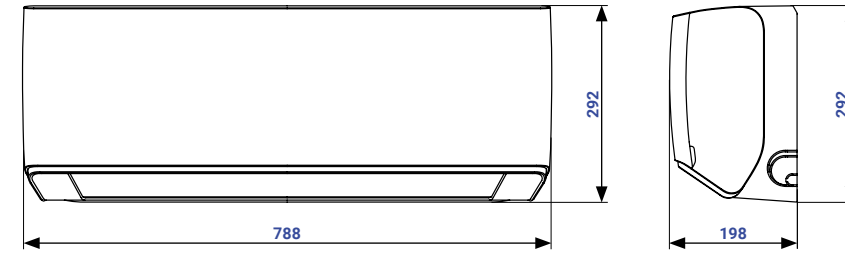


AUX-24JP

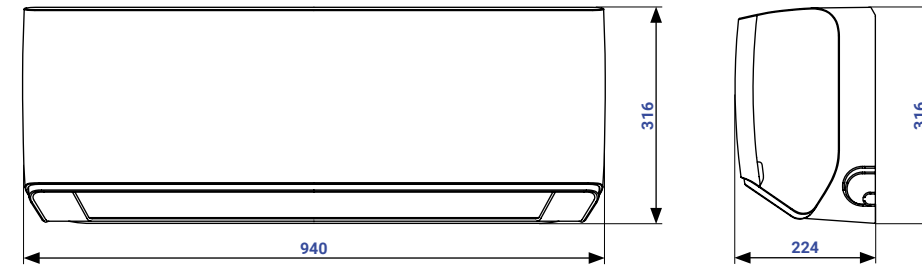


Halo

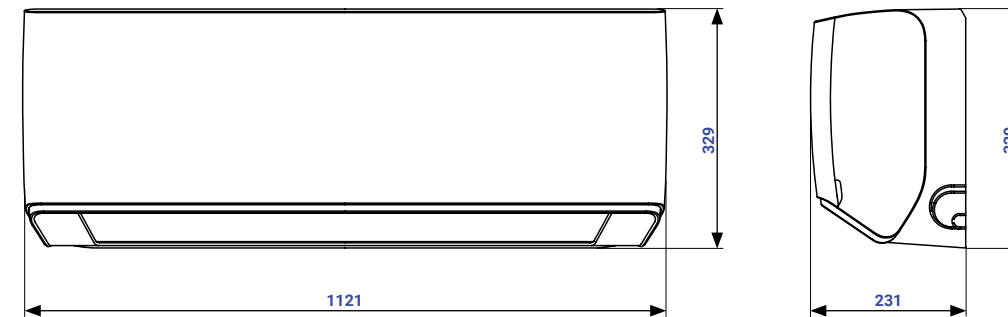
AUX-09HA AUX-12HA



AUX-18HA



AUX-24HA

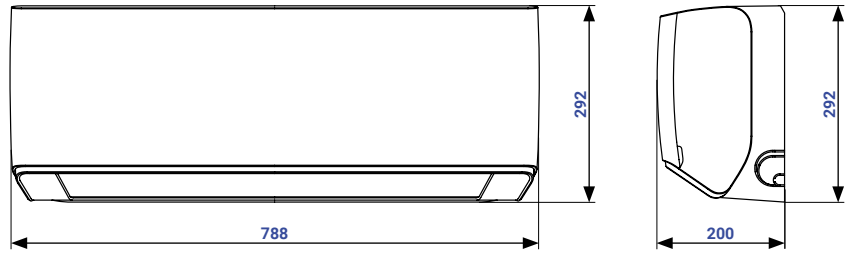


Dimensional drawings

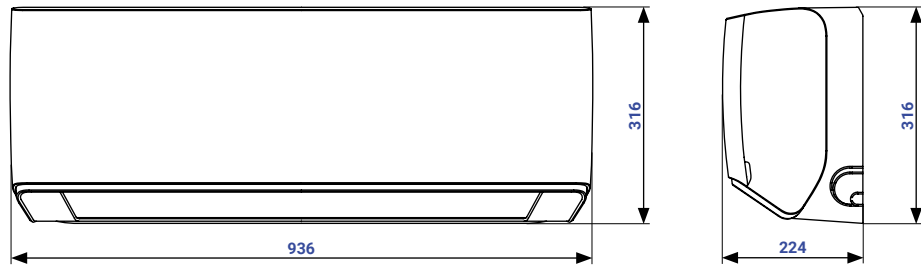
Wall-mounted RAC units

Halo Deluxe

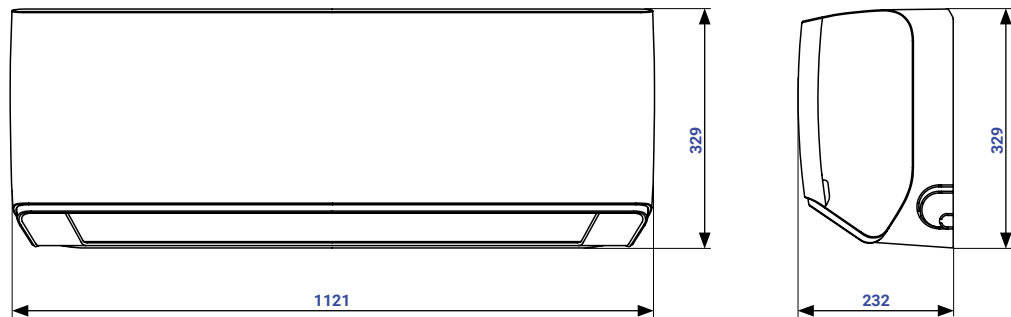
AUX-09HE AUX-12HE



AUX-18HE

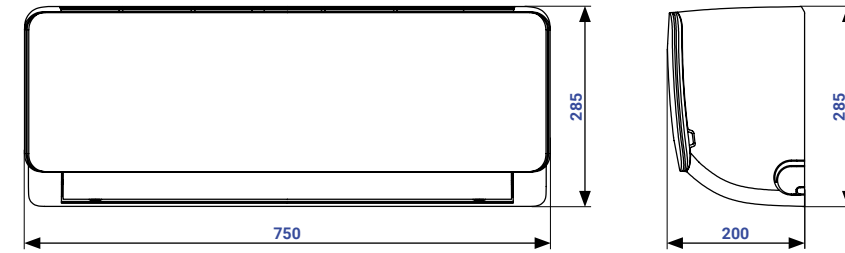


AUX-24HE

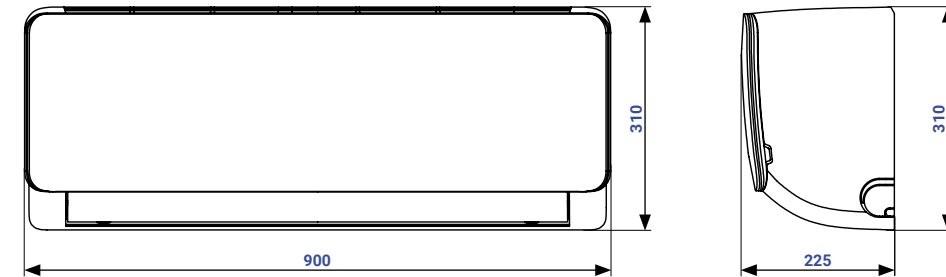


Freedom Plus Series 3

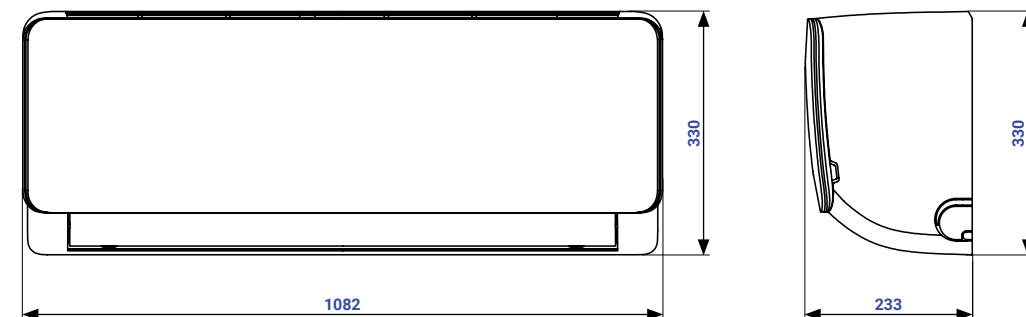
AUX-09F3H AUX-12F3H



AUX-18F3H



AUX-24F3H

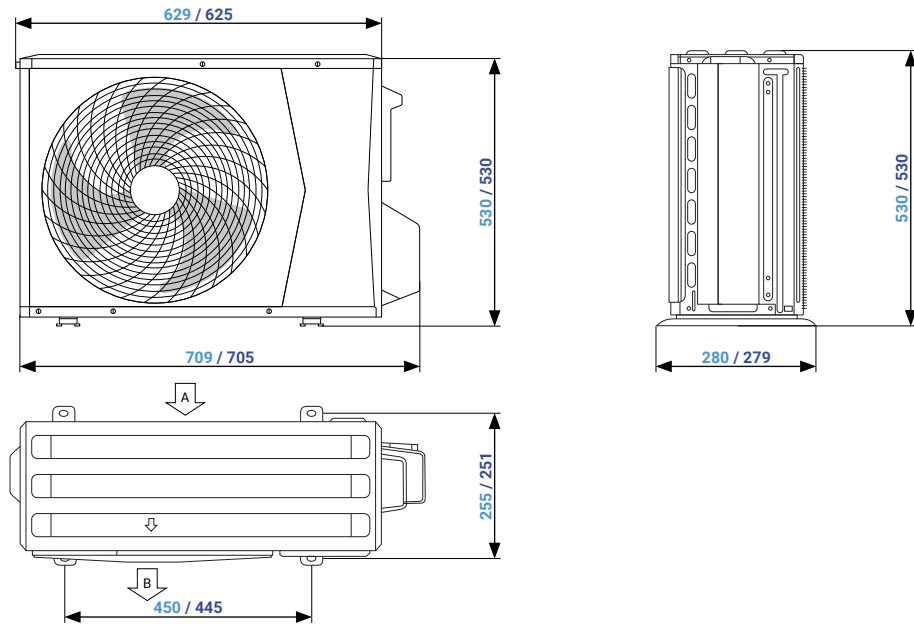


Dimensional drawings

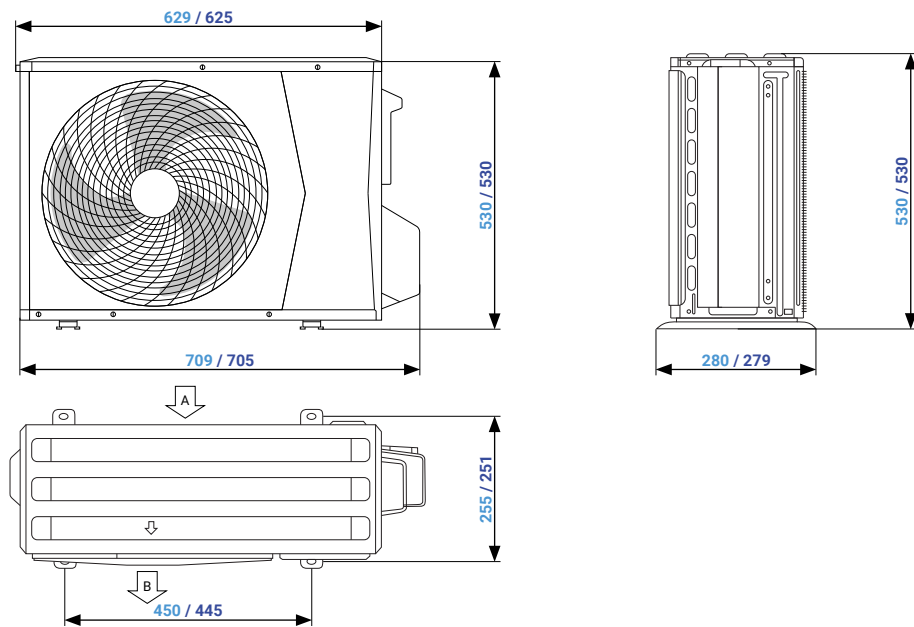
Outdoor RAC units

Series CA/PRO

AUX-09CA/O AUX-09PRO/O



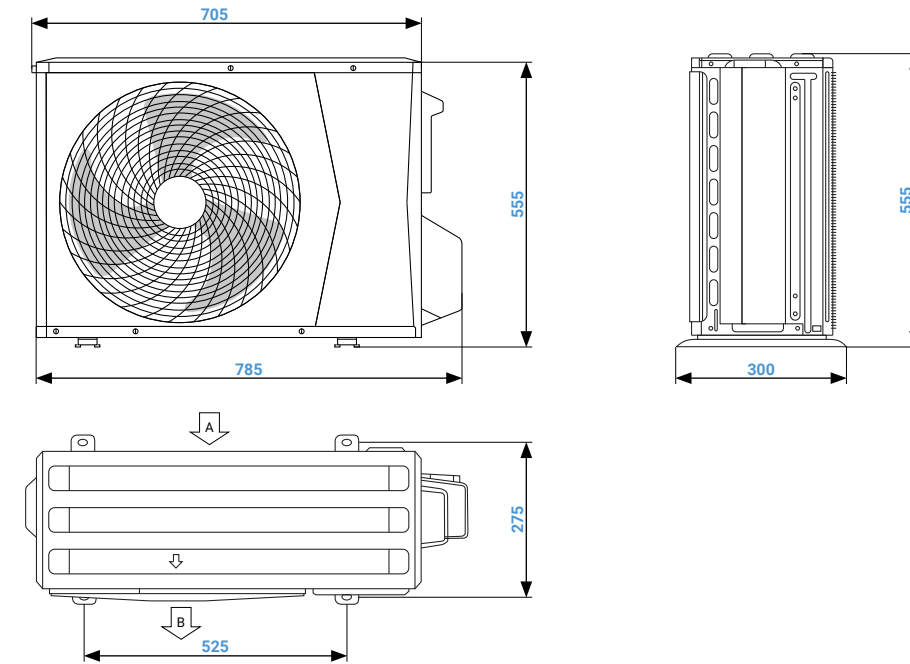
AUX-12CA/O AUX-12PRO/O



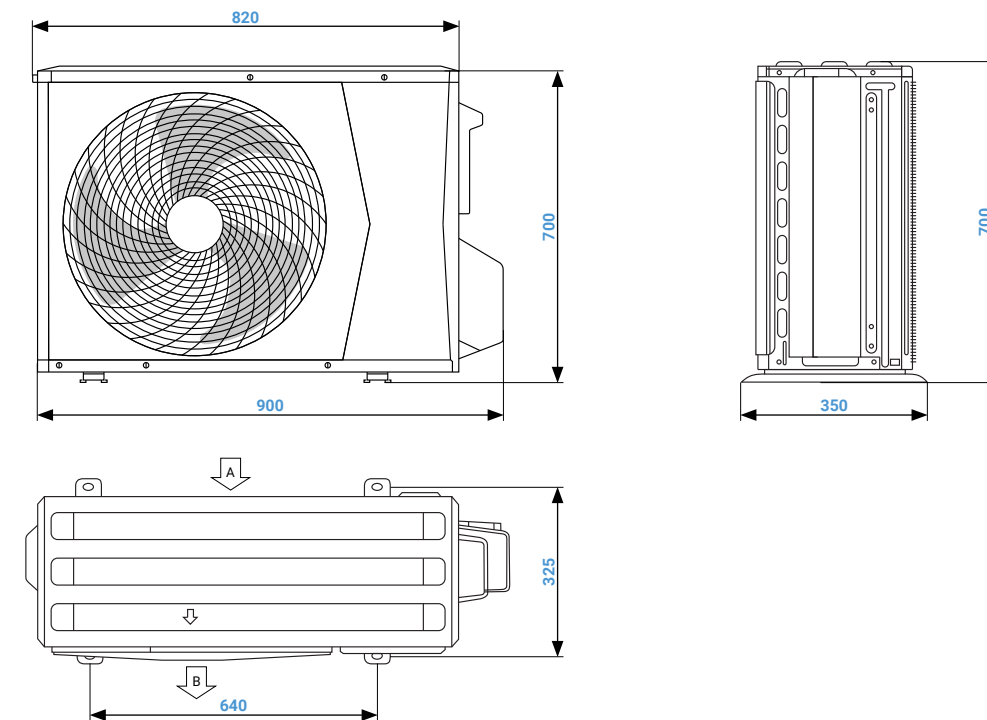
We reserve the right to errors in descriptions, appearance, functions, technical specifications, and dimensional drawings resulting from the continuous improvement of our devices.

Series CA

AUX-18CA/O



AUX-24CA/O



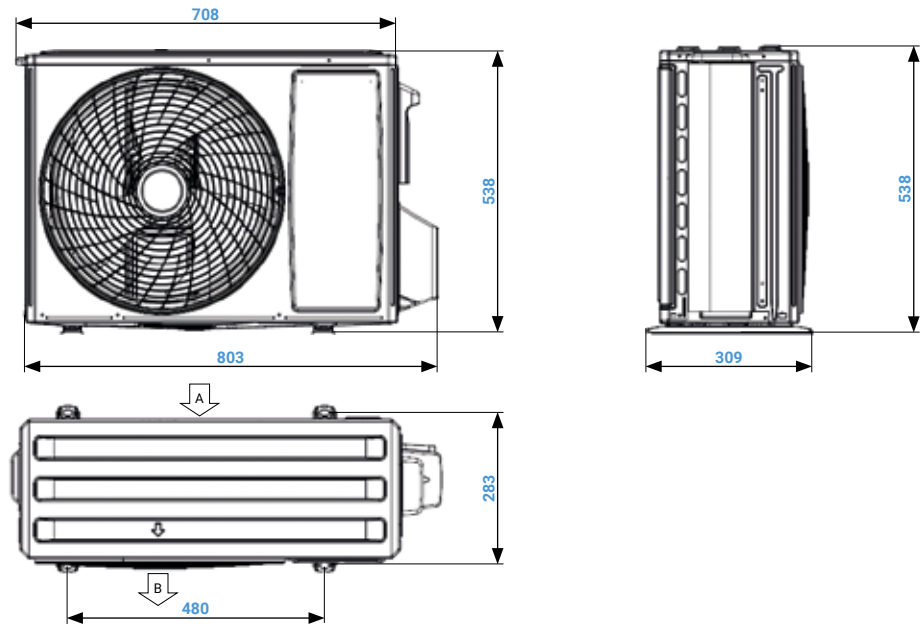
We reserve the right to errors in descriptions, appearance, functions, technical specifications, and dimensional drawings resulting from the continuous improvement of our devices.

Dimensional drawings

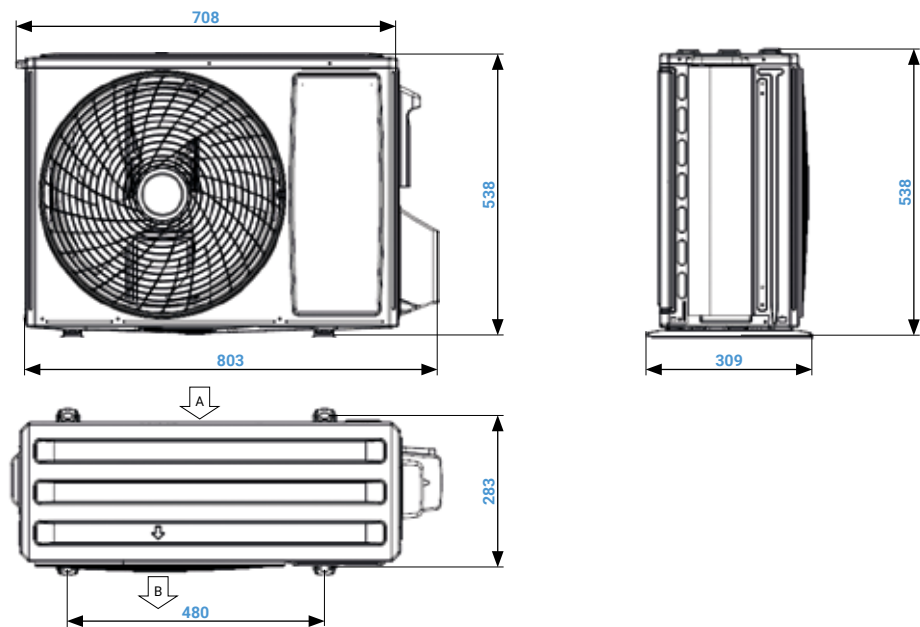
Outdoor RAC units

Series QC/QP/QB

AUX-09QC/O AUX-09QP/O AUX-09QB/O



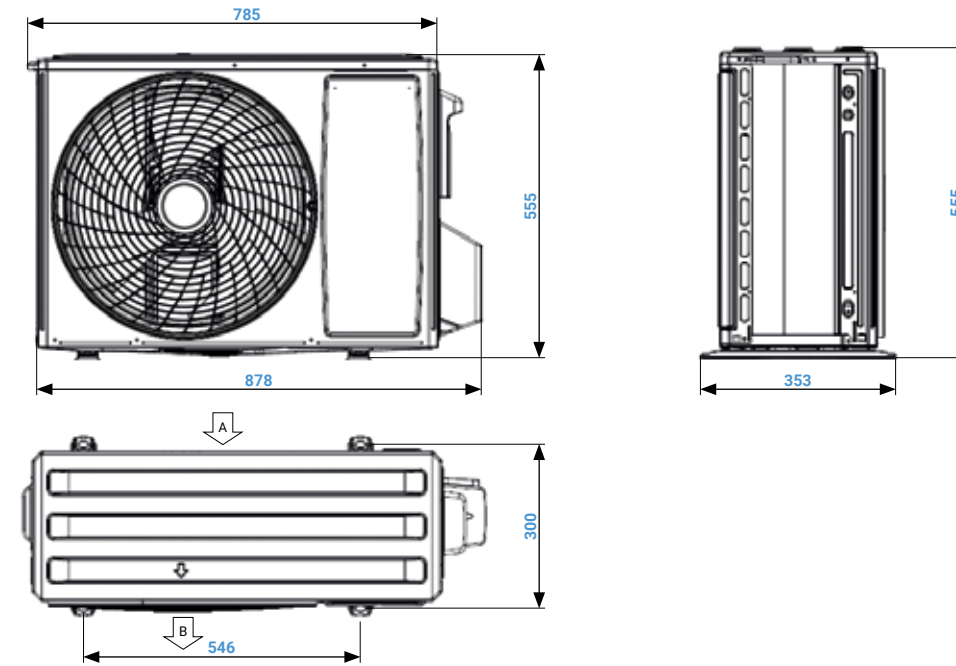
AUX-12QC/O AUX-12QP/O AUX-12QB/O



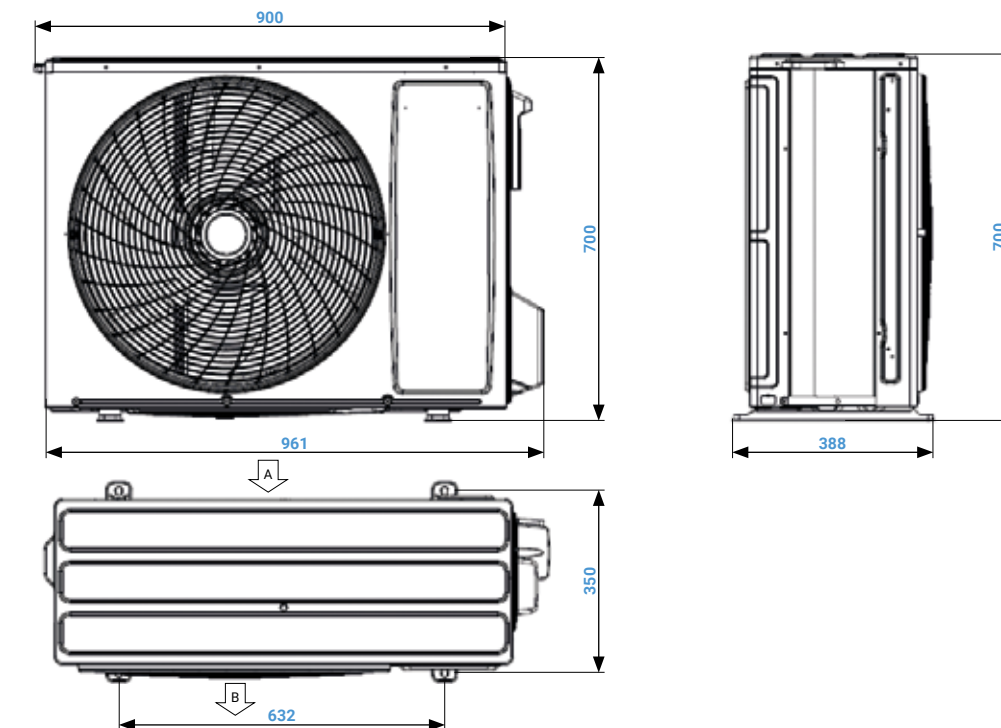
We reserve the right to errors in descriptions, appearance, functions, technical specifications, and dimensional drawings resulting from the continuous improvement of our devices.

Series QC/QP/QB

AUX-18QC/O AUX-18QP/O AUX-18QB/O



AUX-24QC/O AUX-24QP/O AUX-24QB/O



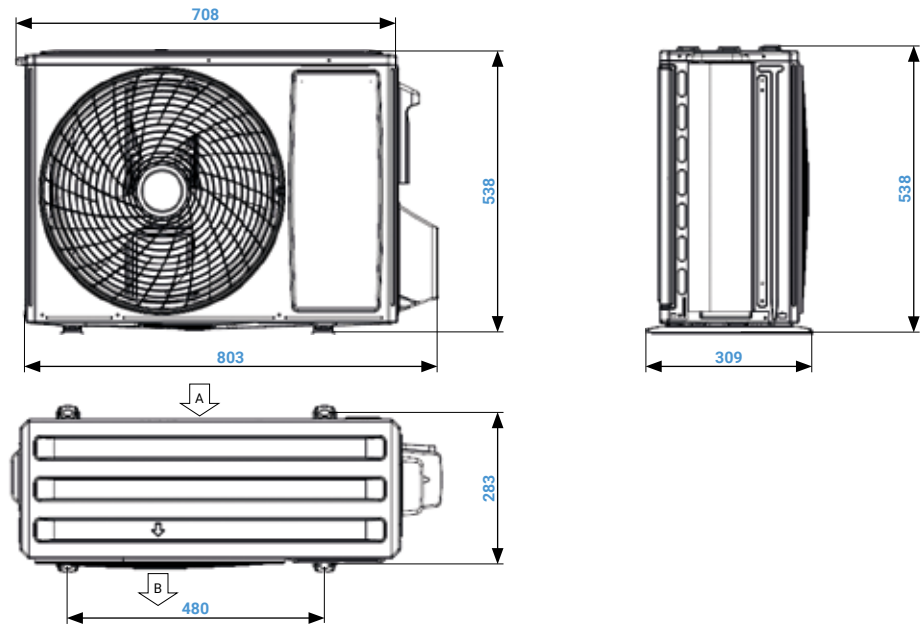
We reserve the right to errors in descriptions, appearance, functions, technical specifications, and dimensional drawings resulting from the continuous improvement of our devices.

Dimensional drawings

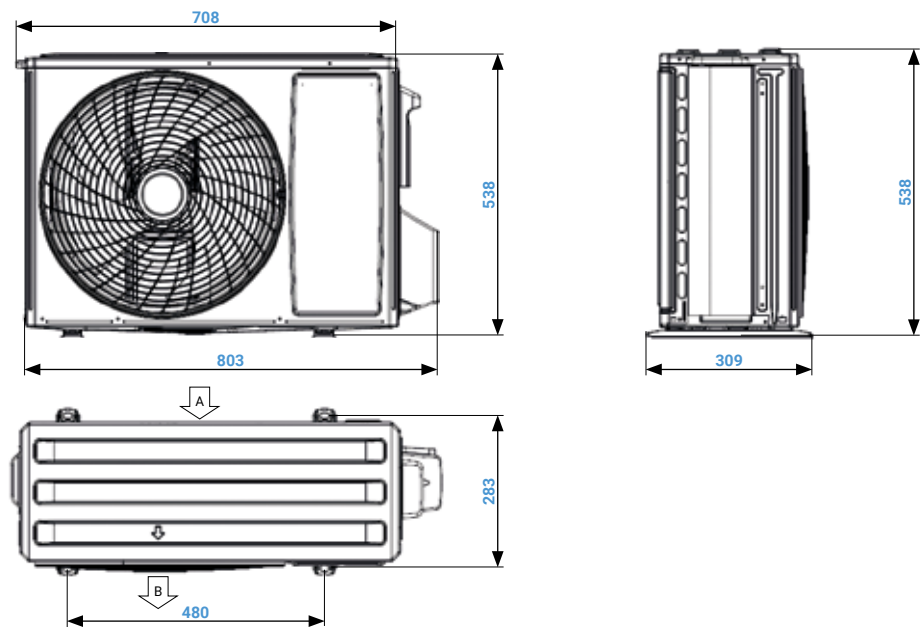
Outdoor RAC units

Series J20 / JP

AUX-09J20/O AUX-09JP/O



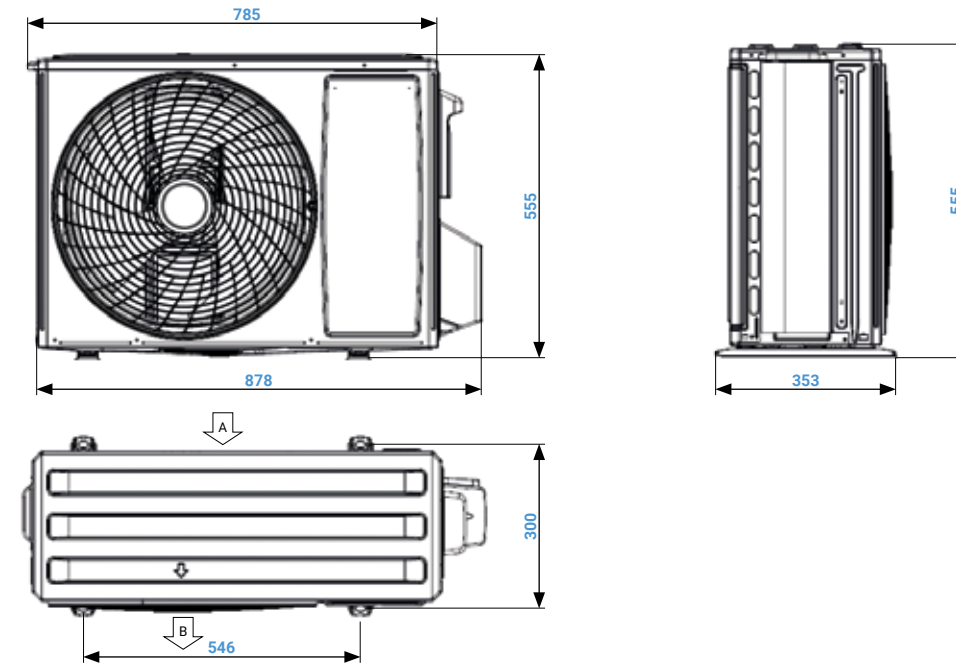
AUX-12J20/O AUX-12JP/O



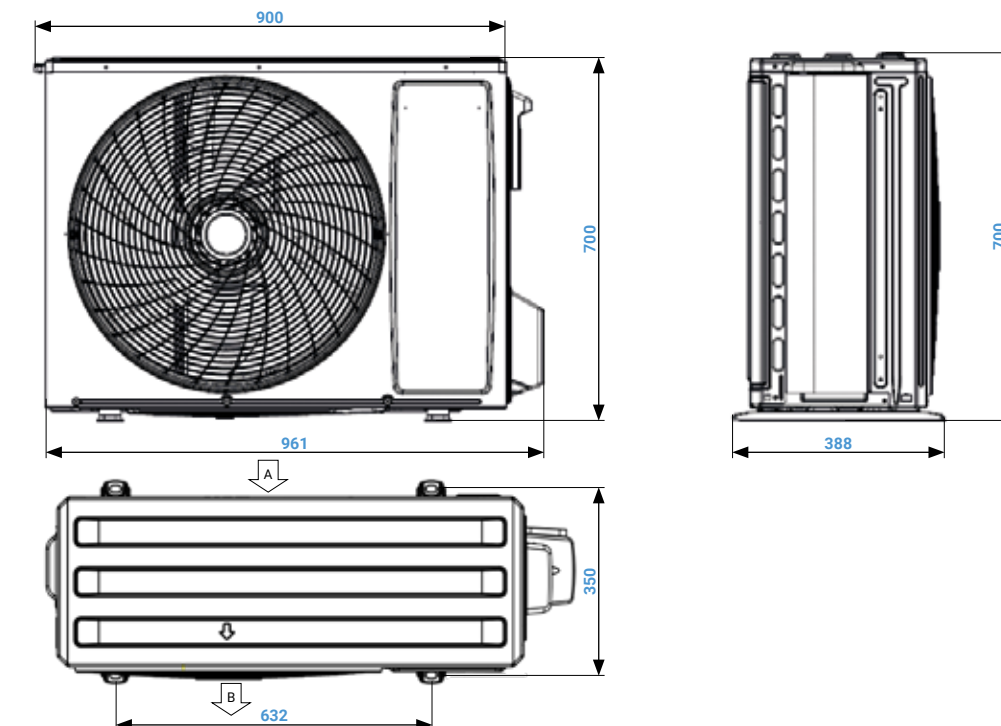
We reserve the right to errors in descriptions, appearance, functions, technical specifications, and dimensional drawings resulting from the continuous improvement of our devices.

Series J20 / JP

AUX-18J20/O AUX-18JP/O



AUX-24J20/O AUX-24JP/O



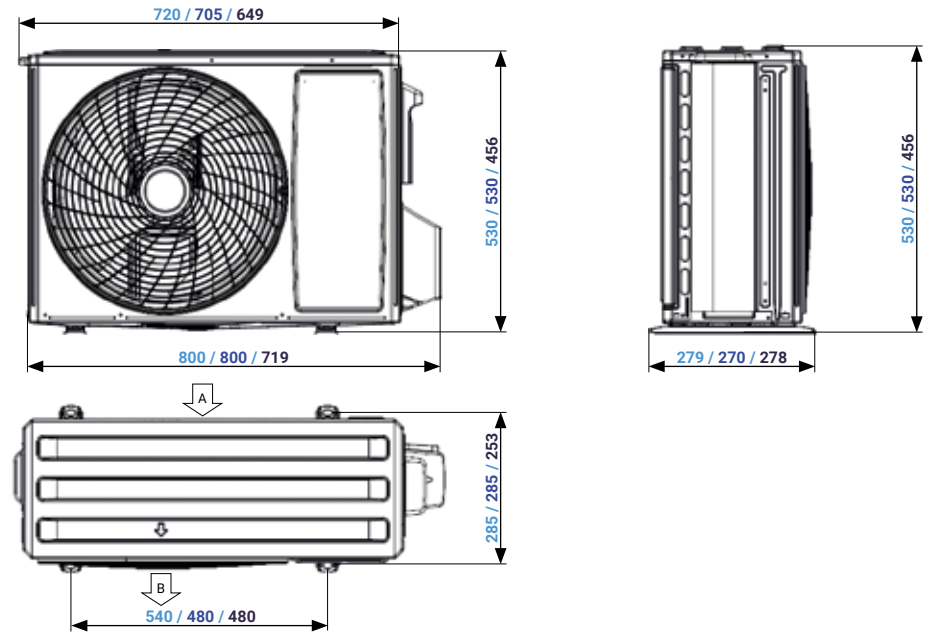
We reserve the right to errors in descriptions, appearance, functions, technical specifications, and dimensional drawings resulting from the continuous improvement of our devices.

Dimensional drawings

Outdoor RAC units

Series HA/HE

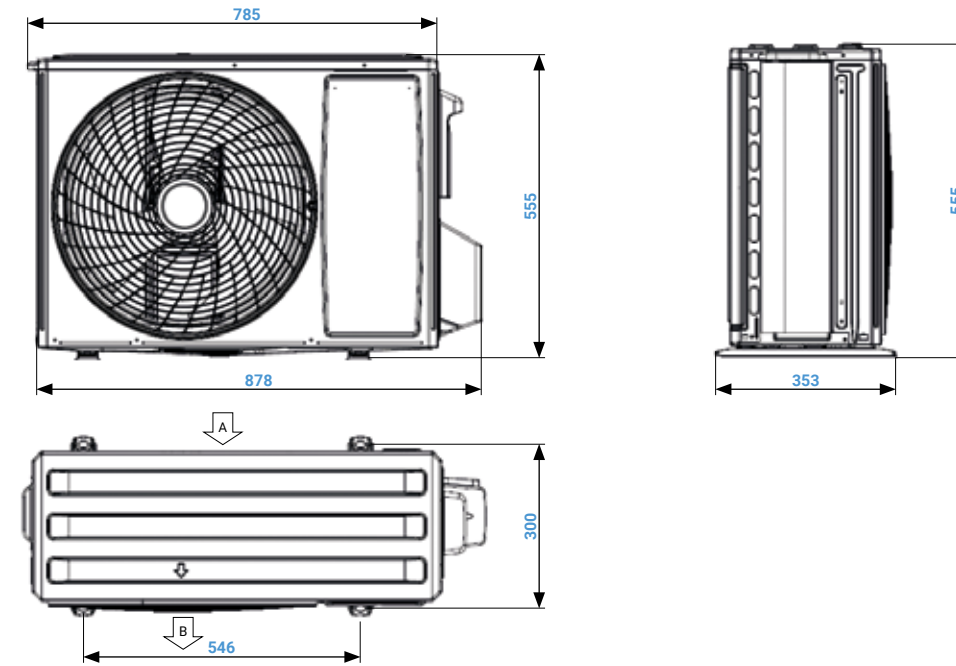
AUX-09HA/O AUX-09HE/O



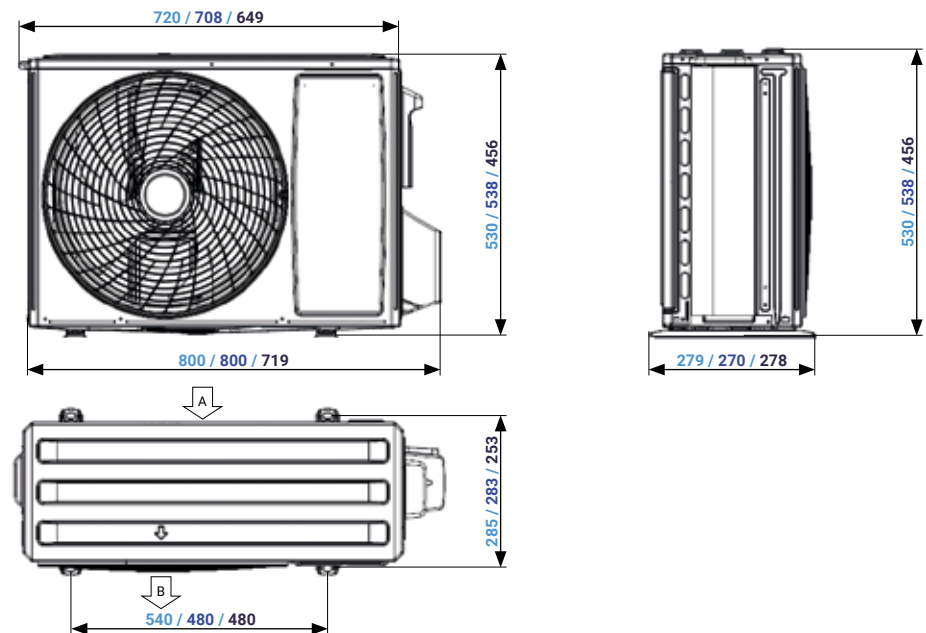
- Version I
- Version II
- Version III

Series HA/HE

AUX-18HA/O AUX-18HE/O

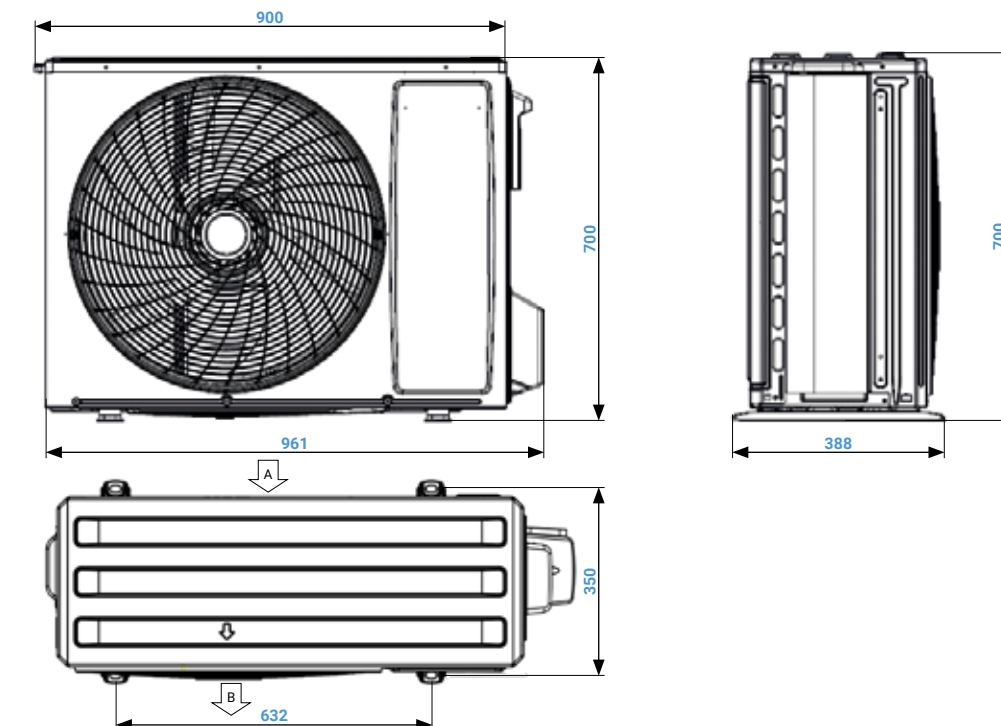


AUX-12HA/O AUX-12HE/O



- Version I
- Version II
- Version III

AUX-24HA/O AUX-24HE/O



We reserve the right to errors in descriptions, appearance, functions, technical specifications, and dimensional drawings resulting from the continuous improvement of our devices.

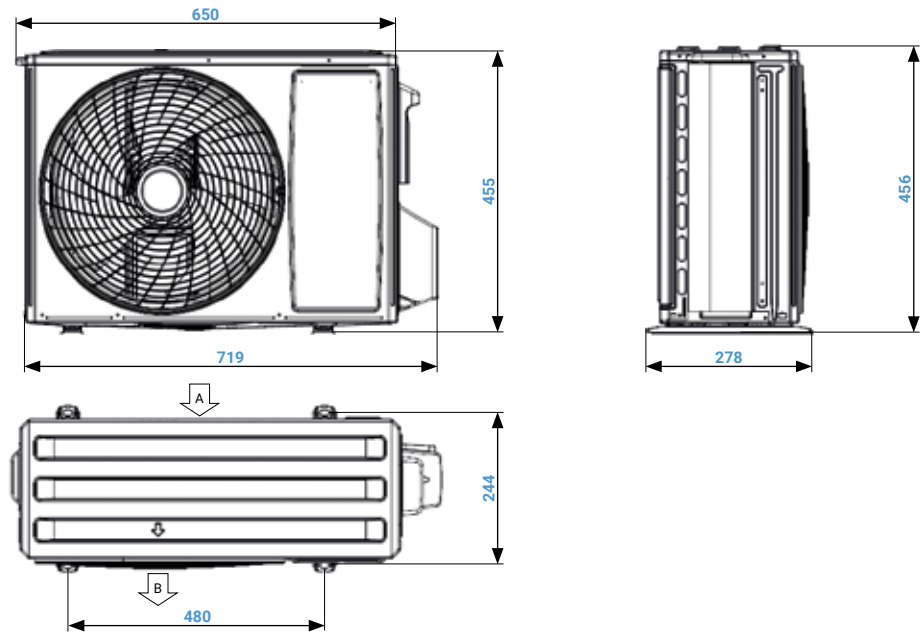
We reserve the right to errors in descriptions, appearance, functions, technical specifications, and dimensional drawings resulting from the continuous improvement of our devices.

Dimensional drawings

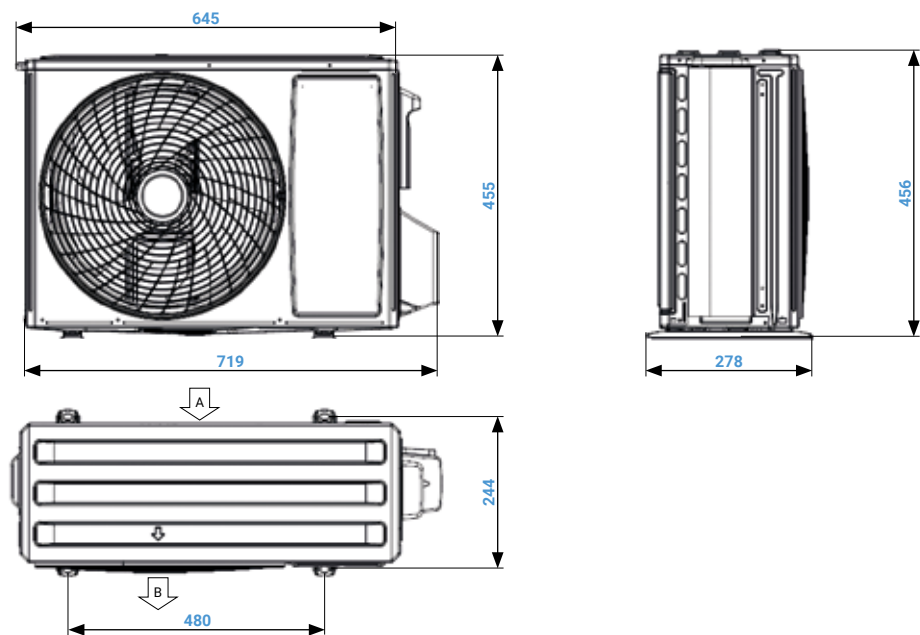
Outdoor RAC units

Series F3H

AUX-09F3H/O

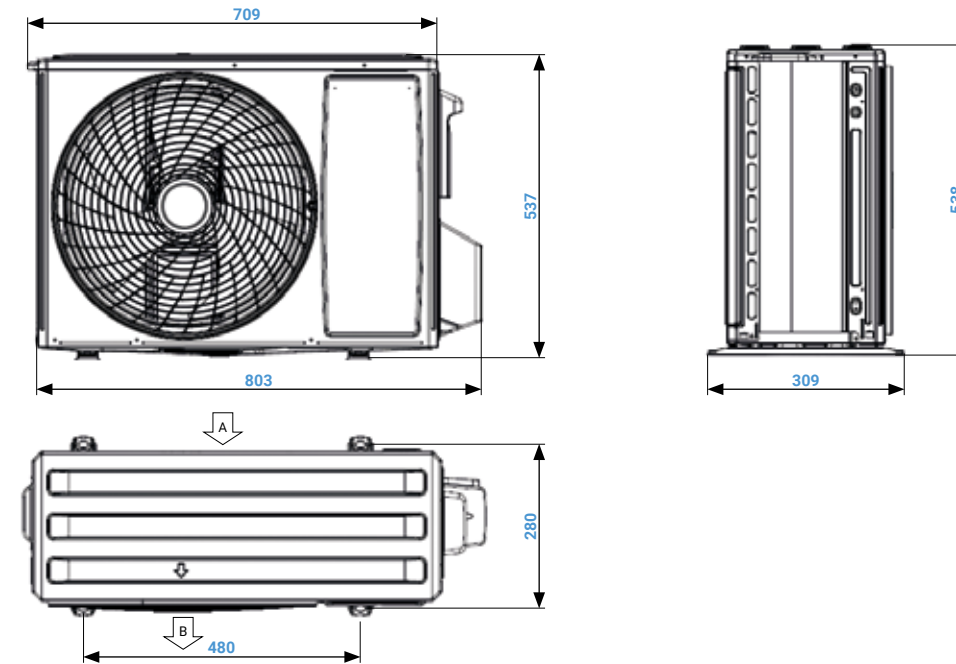


AUX-12F3H/O

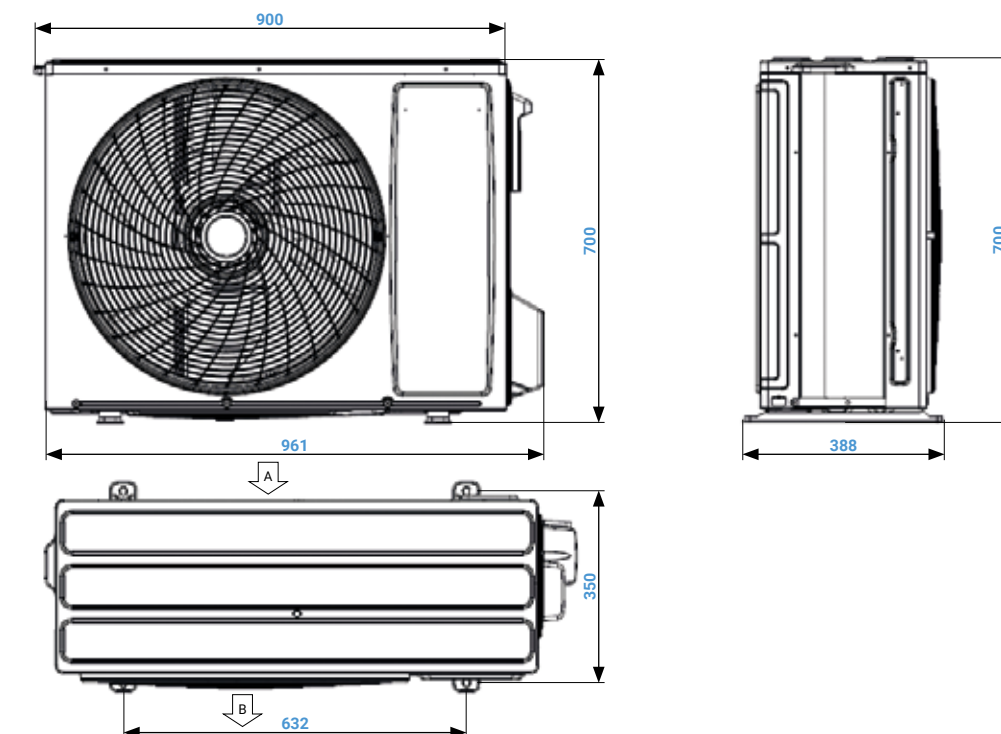


Series F3H

AUX-18F3H/O



AUX-24F3H/O



We reserve the right to errors in descriptions, appearance, functions, technical specifications, and dimensional drawings resulting from the continuous improvement of our devices.

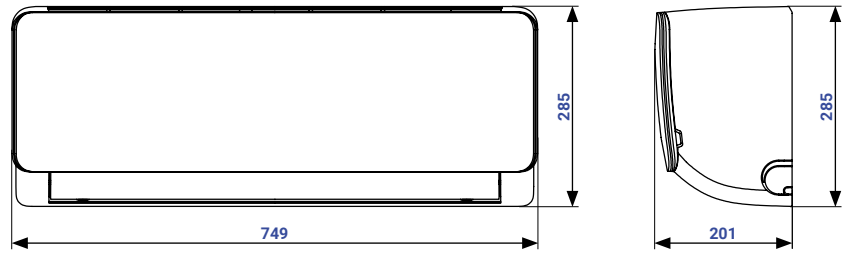
We reserve the right to errors in descriptions, appearance, functions, technical specifications, and dimensional drawings resulting from the continuous improvement of our devices.

Dimensional drawings

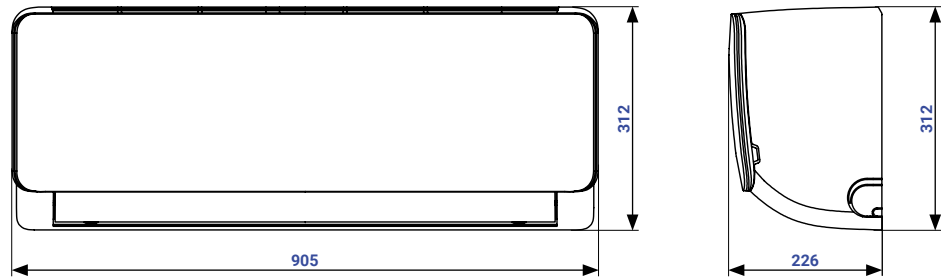
MULTI indoor units

Freedom

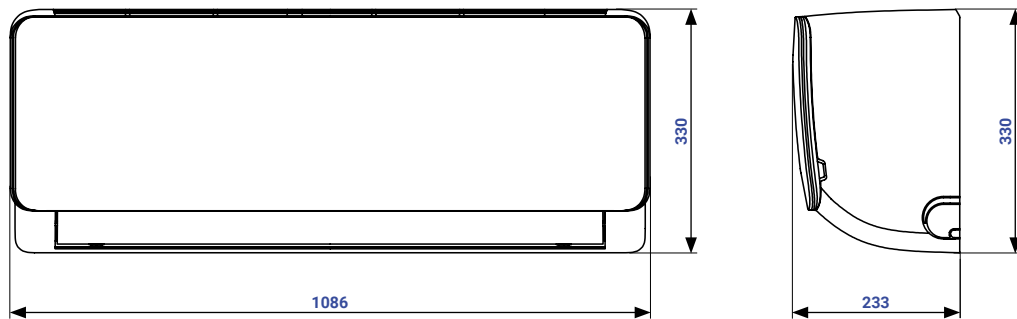
AUX-07FH AUX-09FH AUX-12FH



AUX-18FH

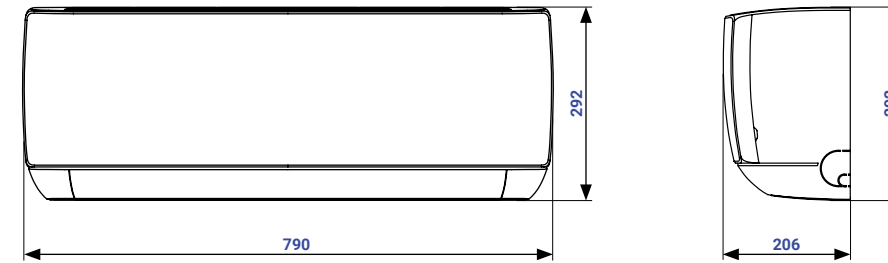


AUX-24FH

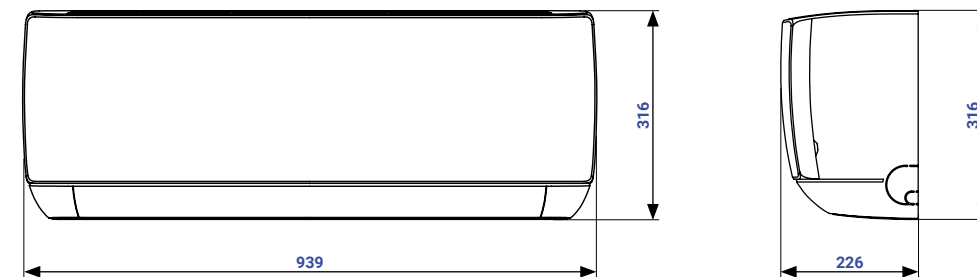


J-Smart

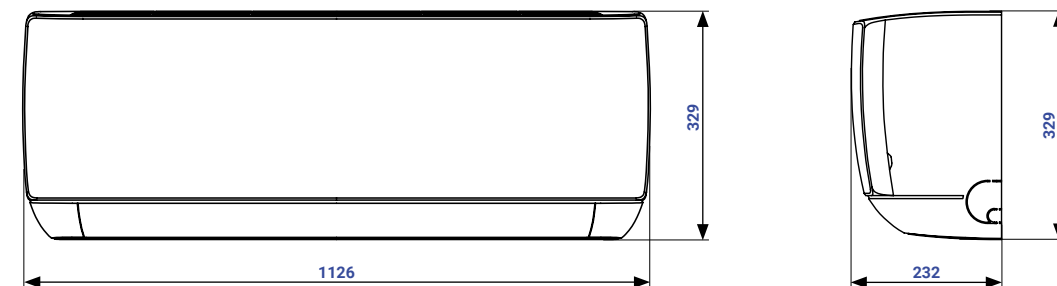
AUX-07JO AUX-09JO AUX-12JO



AUX-18JO



AUX-24JO

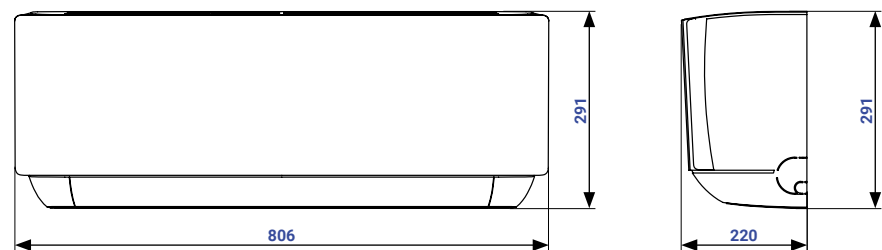


Dimensional drawings

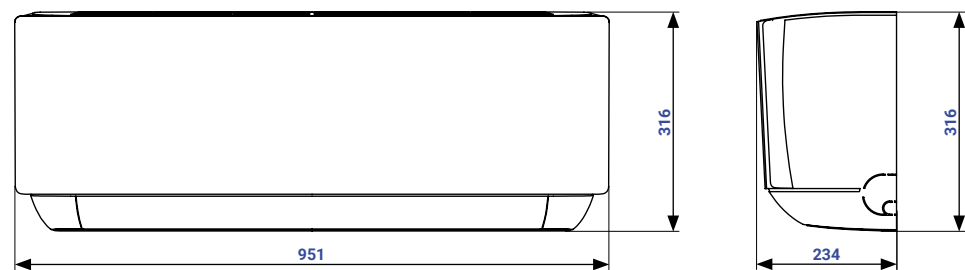
MULTI indoor units

J-Smart Art

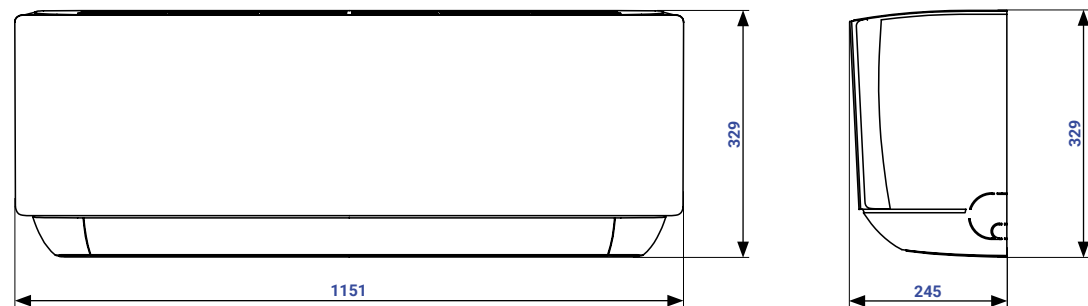
AUX-07JB AUX-09JB AUX-12JB



AUX-18JB

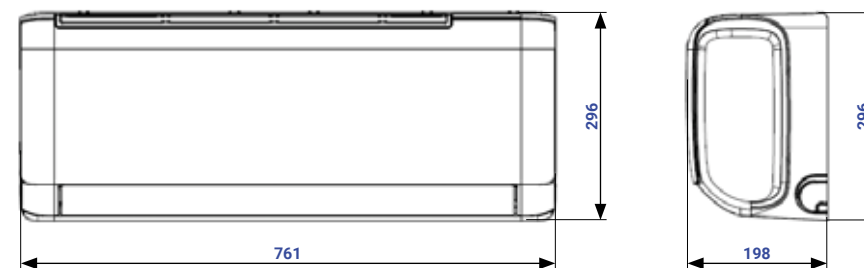


AUX-24JB

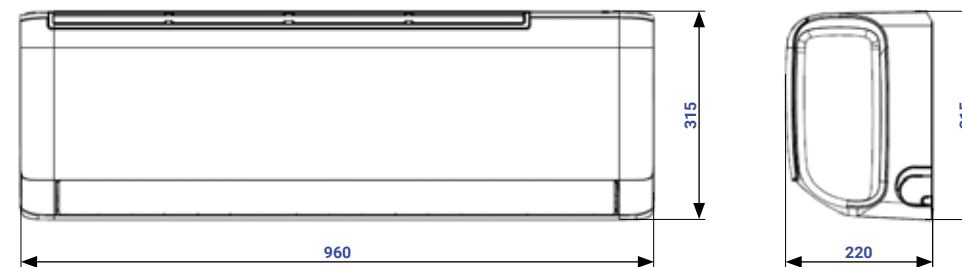


Q-Smart Premium

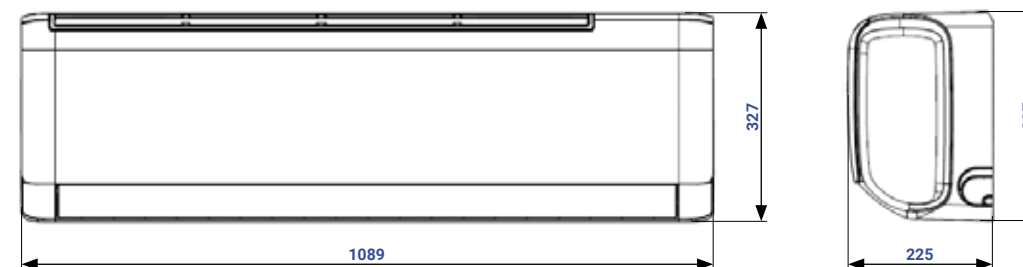
AUX-07QP AUX-09QP AUX-12QP



AUX-18QP



AUX-24QP

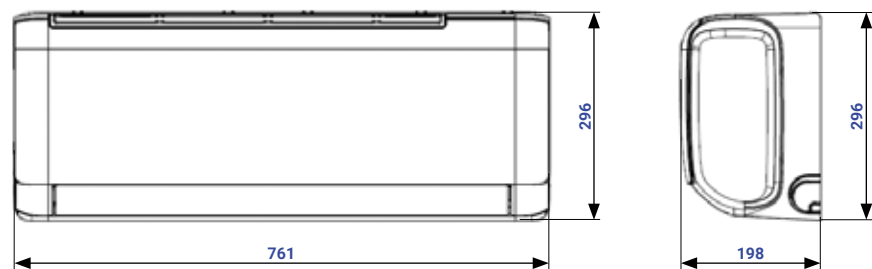


Dimensional drawings

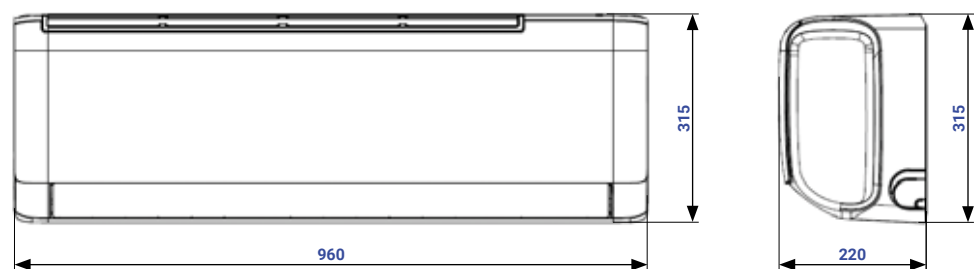
MULTI indoor units

Q-Smart Premium Grey

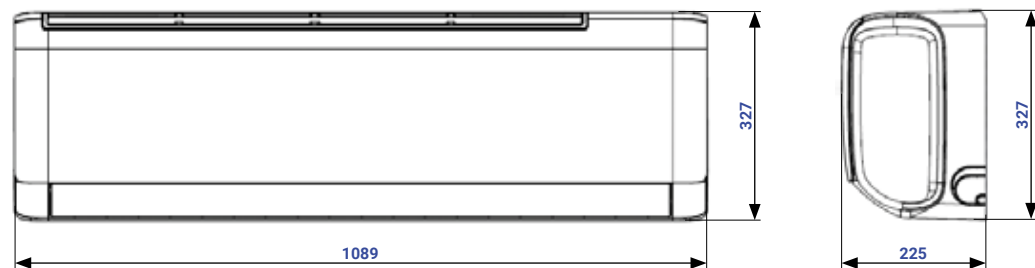
AUX-09QB AUX-12QB



AUX-18QB

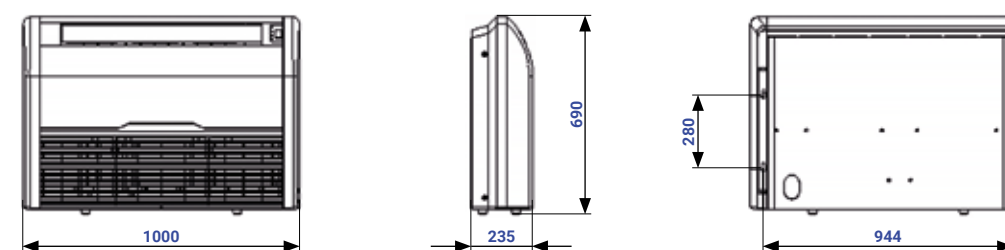


AUX-24QB



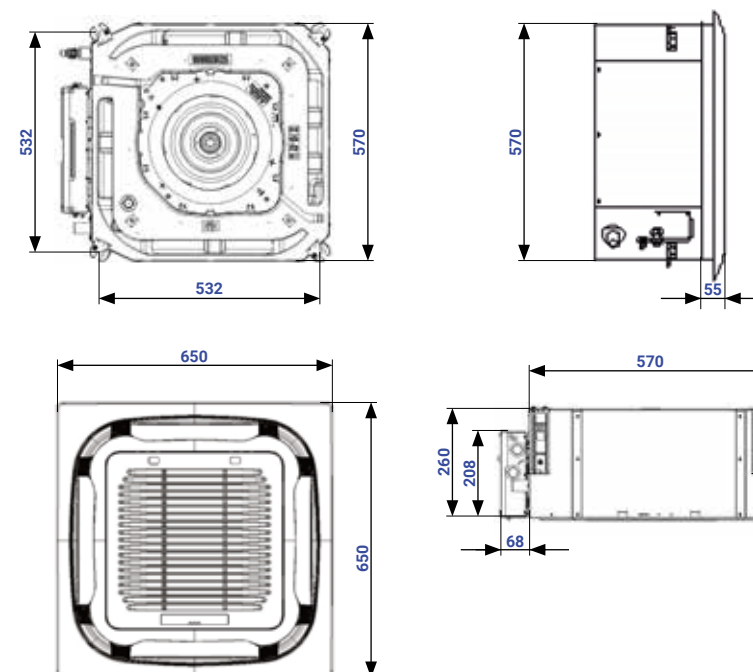
Floor-ceiling units

AUX-M-F09/I AUX-M-F12/I AUX-M-F18/I



Cassette units

AUX-M-C09/I AUX-M-C12/I AUX-M-C18/I

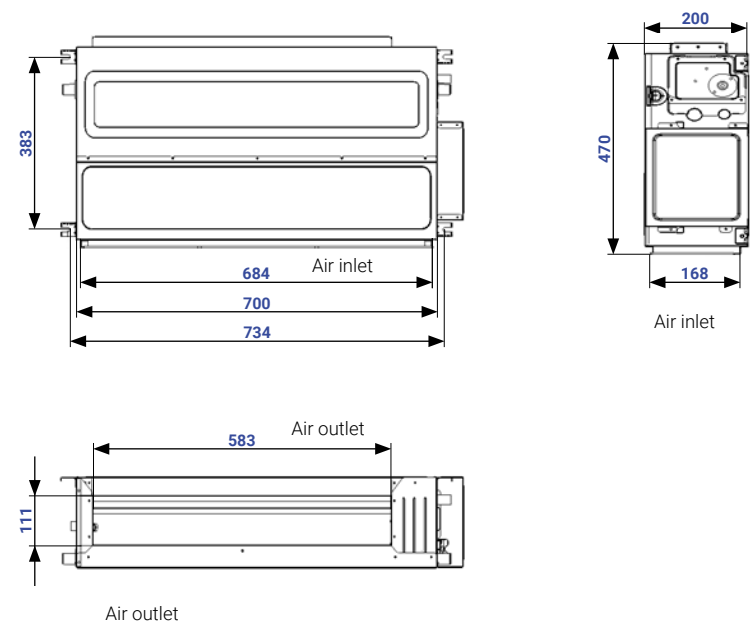


Dimensional drawings

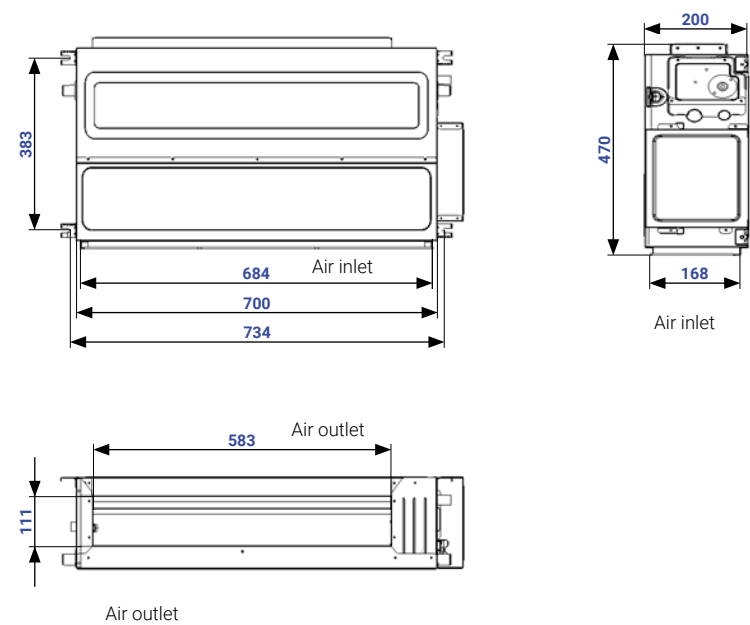
MULTI Indoor units

Ducted units

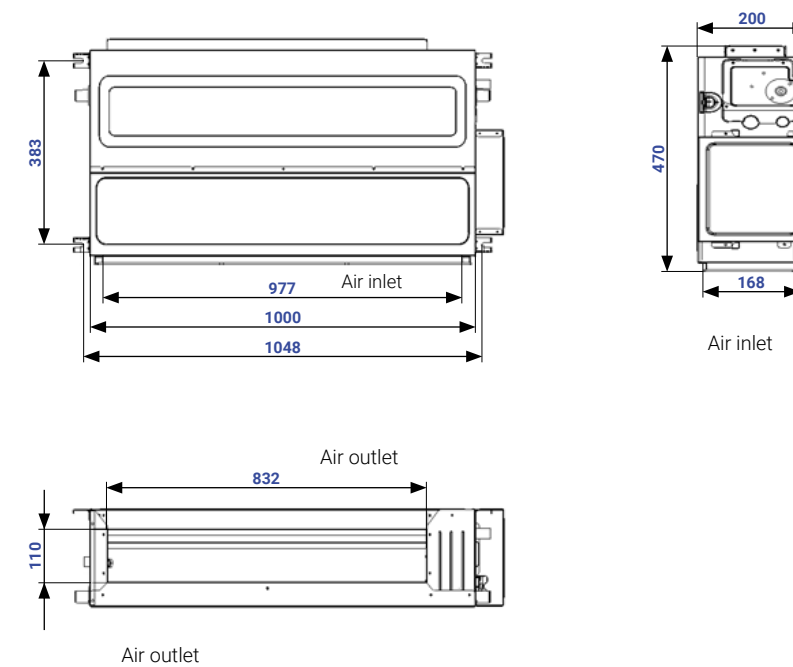
AUX-M-D07/I AUX-M-D09/I



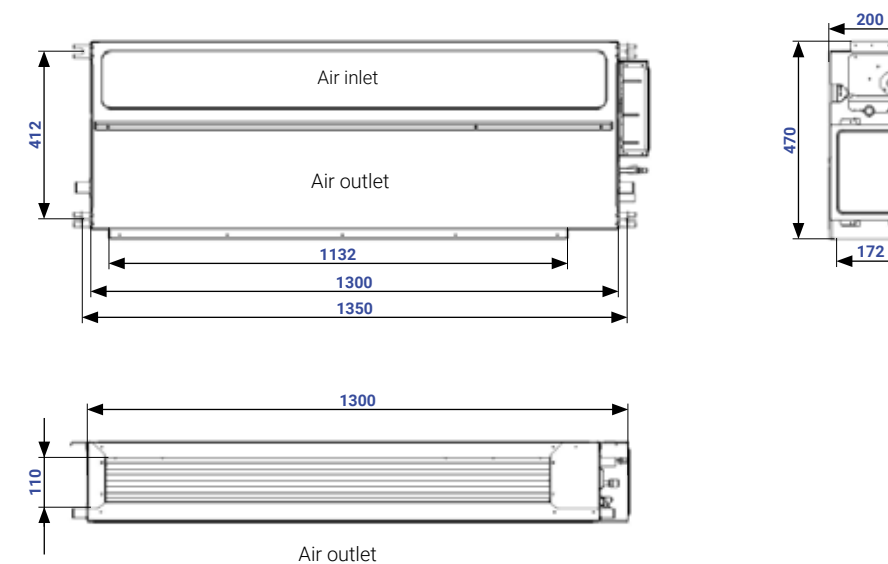
AUX-M-D12/I



AUX-M-D18/I



AUX-M-D24/I

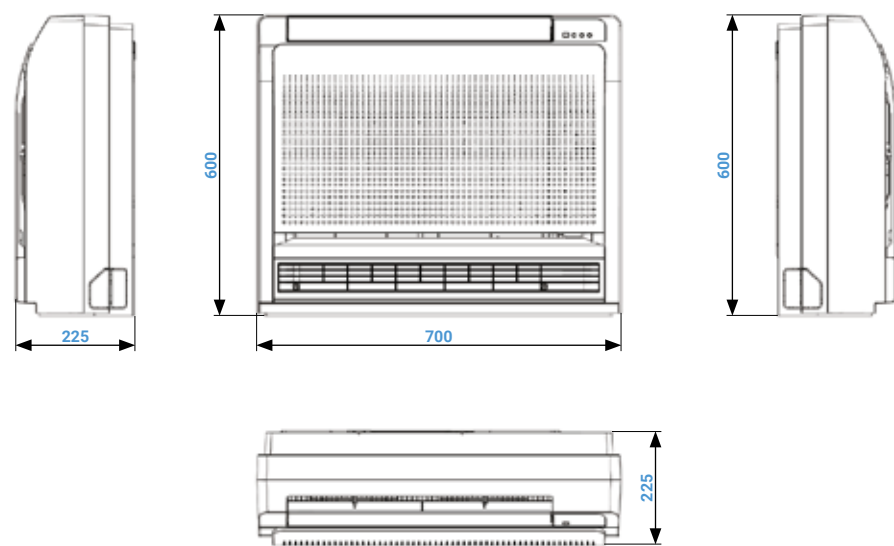


Dimensional drawings

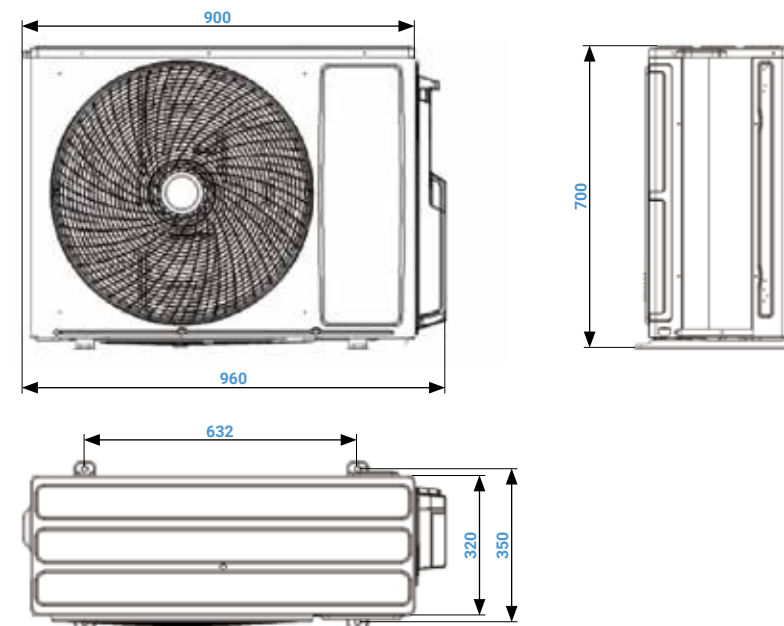
MULTI Indoor / Outdoor units

Console-type units

AUX-K-09/I AUX-K-12/I AUX-K-16/I

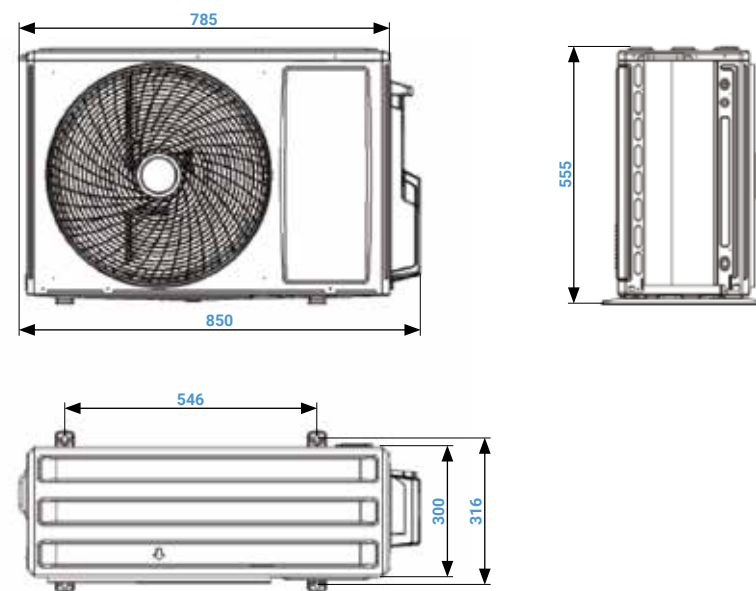


AUX-M3-21LCLH AUX-M3-27LCLH

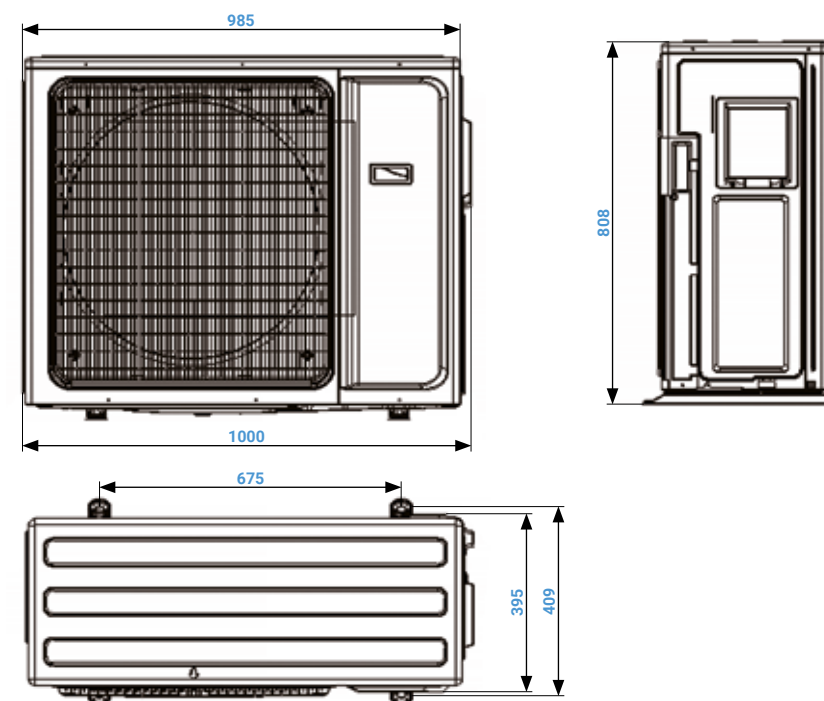


Outdoor units

AUX-M2-14LCLH AUX-M2-18LCLH



AUX-M4-28LCLH AUX-M4-36LCLH AUX-M5-42LCLH

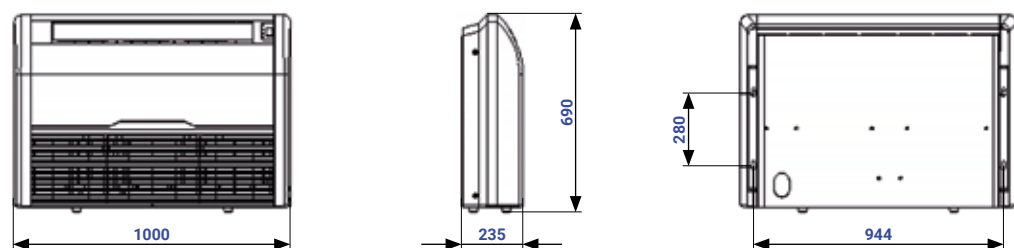


Dimensional drawings

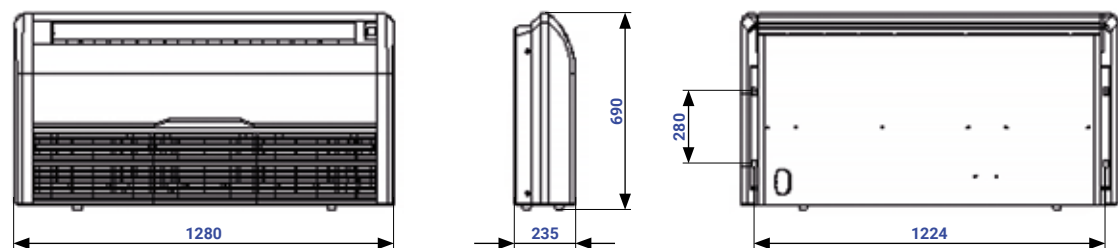
CAC Indoor units

Floor-ceiling units

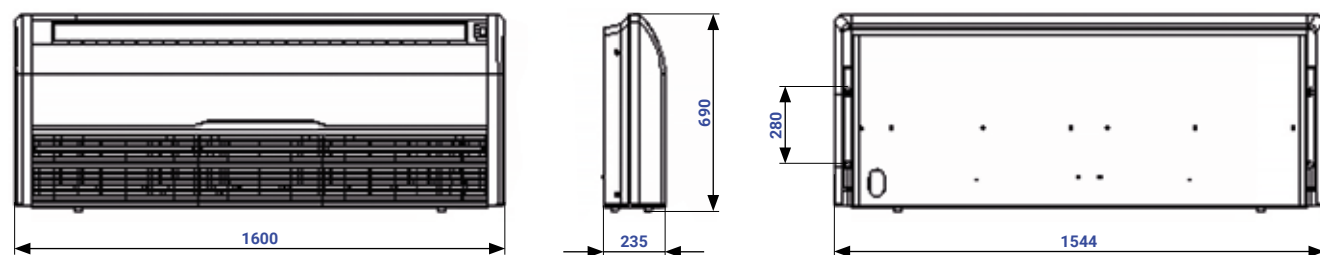
AUX-C-18CAF/I



AUX-C-24CAF/I



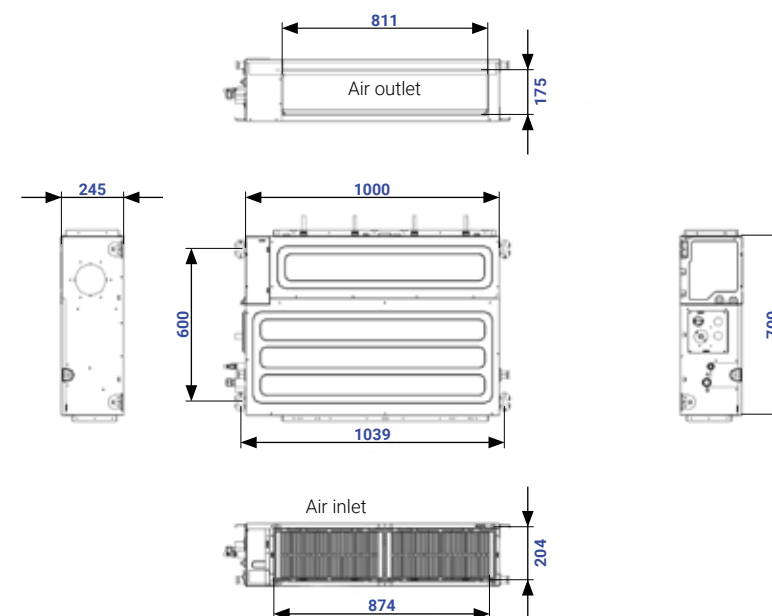
AUX-C-36CAF/I AUX-C-42CAF/I AUX-C-48CAF/I AUX-C-60CAF/I



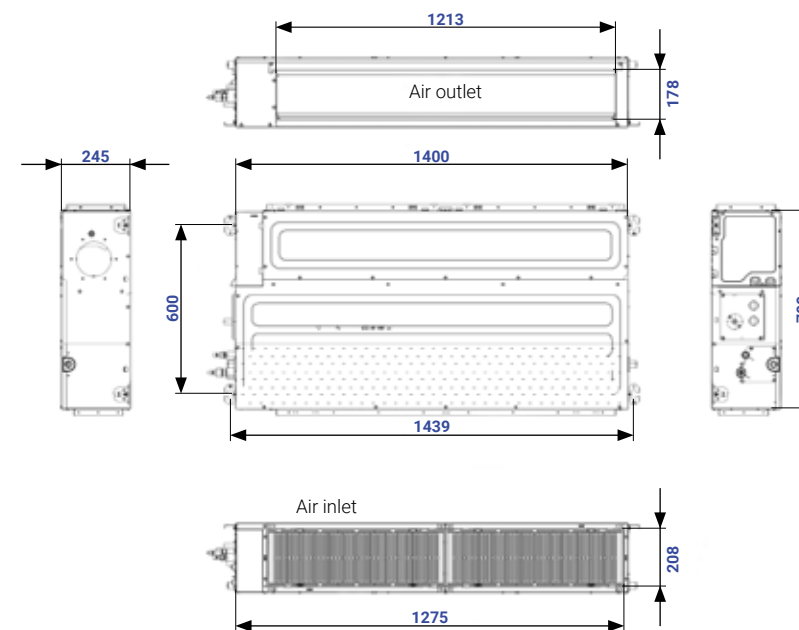
We reserve the right to errors in descriptions, appearance, functions, technical specifications, and dimensional drawings resulting from the continuous improvement of our devices.

Duct units

AUX-C-24CAD/I AUX-C-30CAD/I



AUX-C-36CAD/I AUX-C-42CAD/I AUX-C-48CAD/I AUX-C-60CAD/I



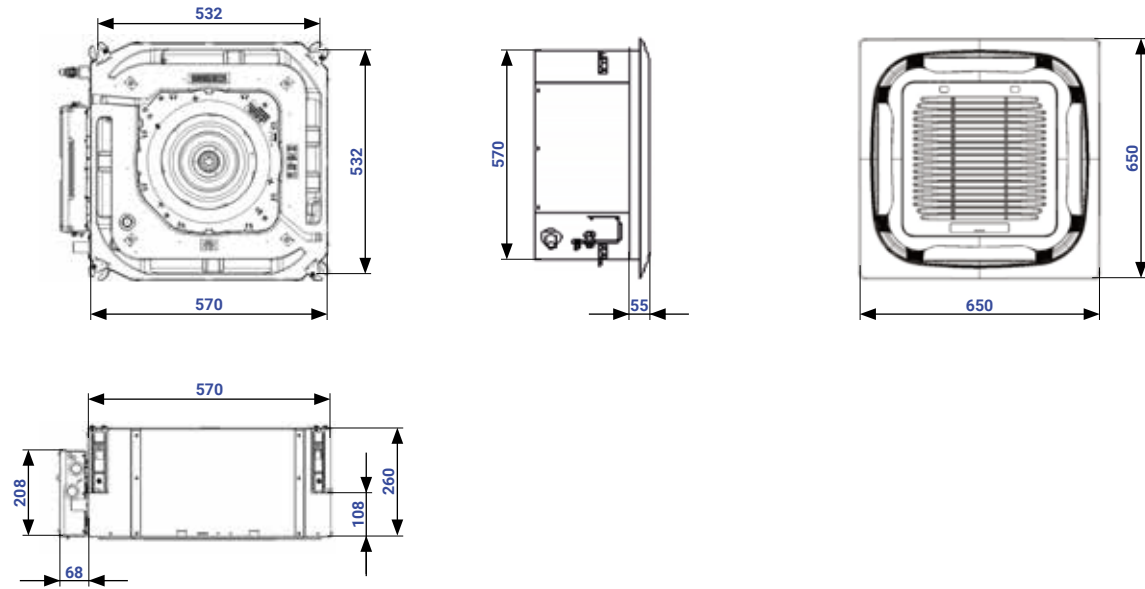
We reserve the right to errors in descriptions, appearance, functions, technical specifications, and dimensional drawings resulting from the continuous improvement of our devices.

Dimensional drawings

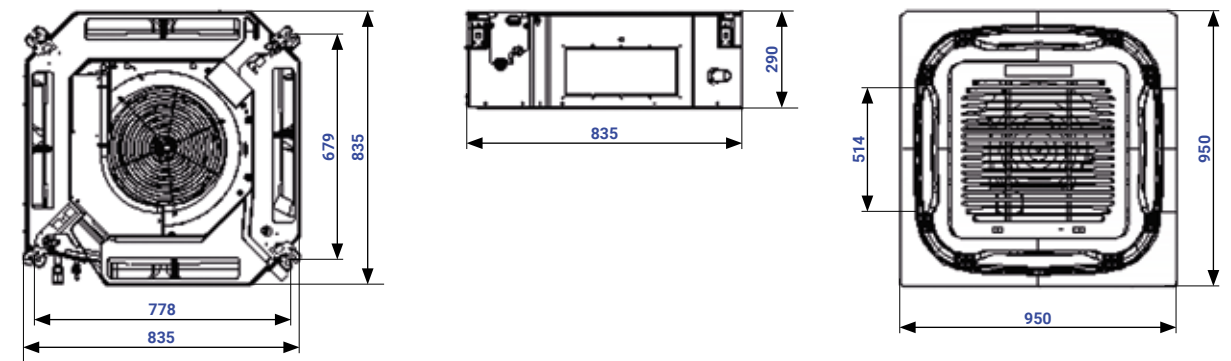
CAC indoor units

Cassette units

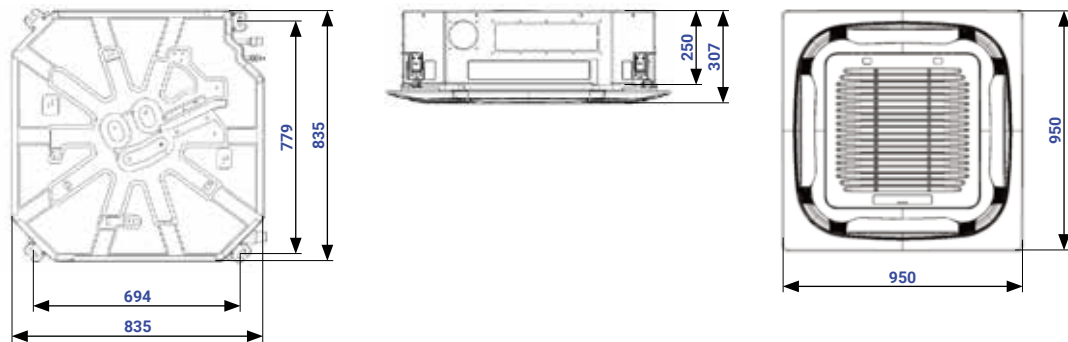
AUX-C-12CAC/I AUX-18CAC/I



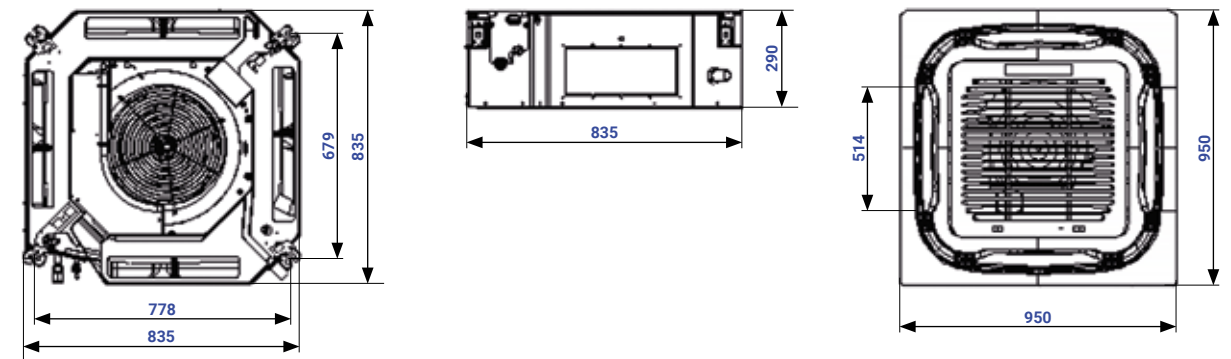
AUX-C-36CAC/I AUX-42CAC/I



AUX-C-24CAC/I



AUX-C-48CAC/I AUX-60CAC/I

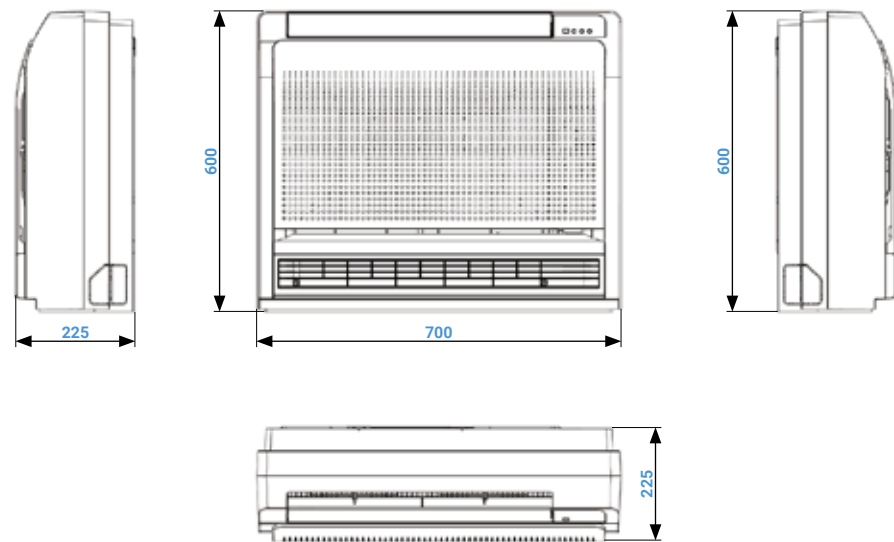


Dimensional drawings

CAC Indoor units

Console units

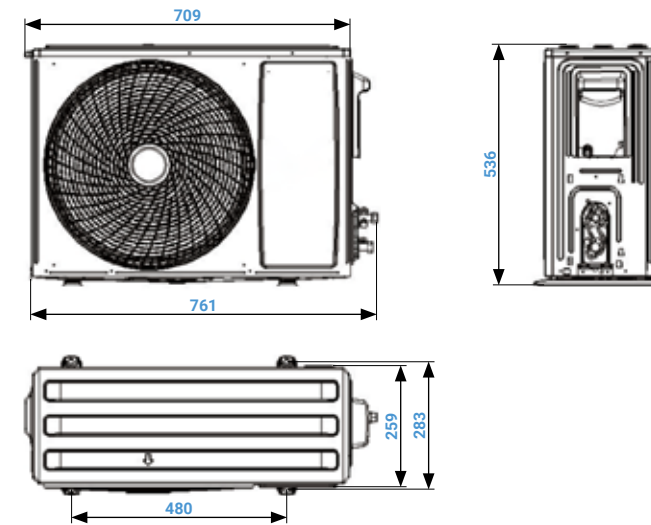
AUX-K-16/I



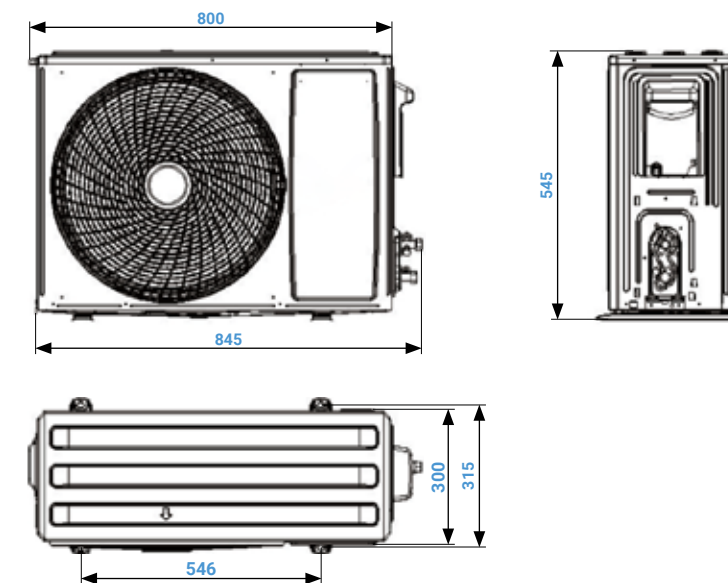
CAC Outdoor units

Outdoor units

AUX-C-12CAO



AUX-C-18CAO

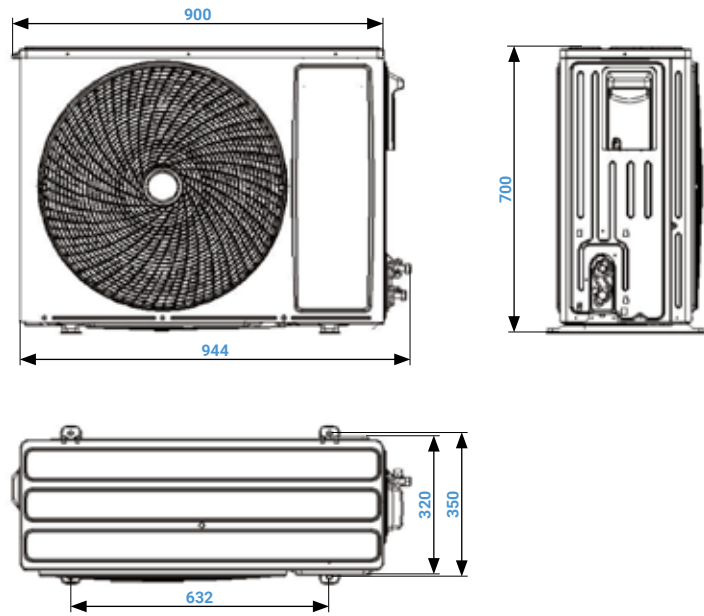


Dimensional drawings

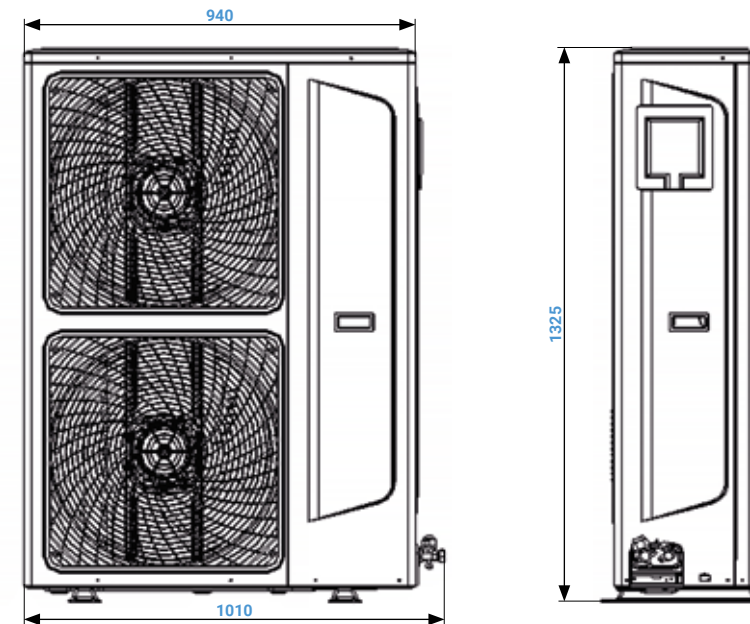
CAC Outdoor units

Outdoor units

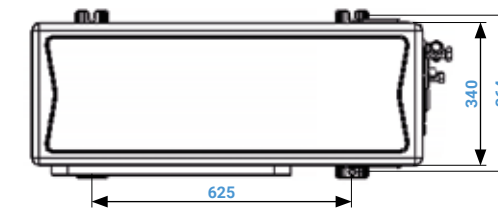
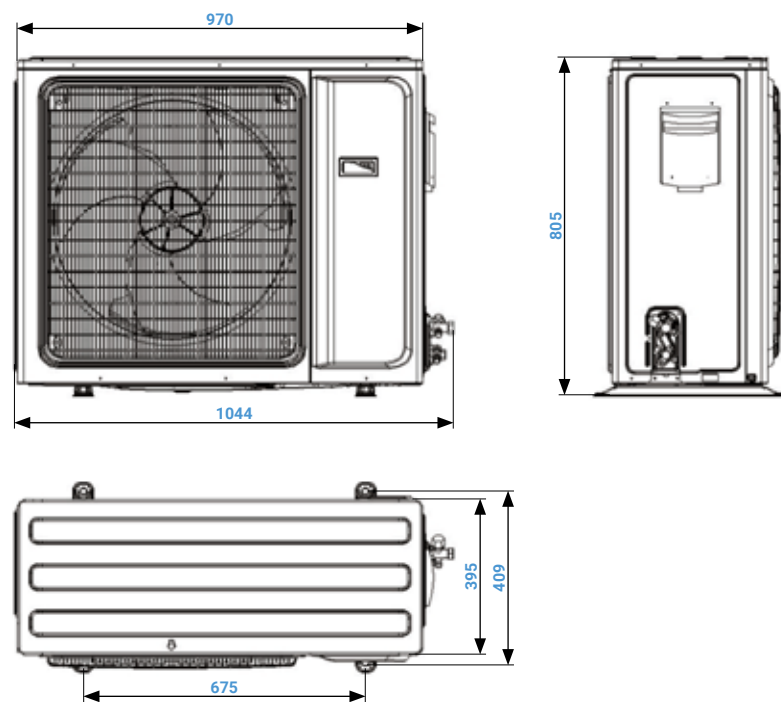
AUX-C-24CAO AUX-C-30CAO



AUX-C-48CAO AUX-C-60CAO



AUX-C-36CAO AUX-C-42CAO



AUX
AIR CONDITIONER



Air conditioning units contain fluorinated greenhouse gases R32. Technical specifications, appearance, and functions are subject to change without prior notice.

WIENKRA

Exclusive distributor of the AUX brand in Poland

www.wienkra.pl

Kraków:

📍 Ul. Kotlarska 34a, Kraków

📍 Ul. Rzemieśnicza 20g, Kraków

✉️ wienkra@wienkra.pl

Warszawa - Janki:

📍 Ul. Sokołowska 15, Janki

✉️ wienkra-waw@wienkra.pl

Wrocław:

📍 Al. Armii Krajowej 61, Wrocław

✉️ wienkra-wro@wienkra.pl